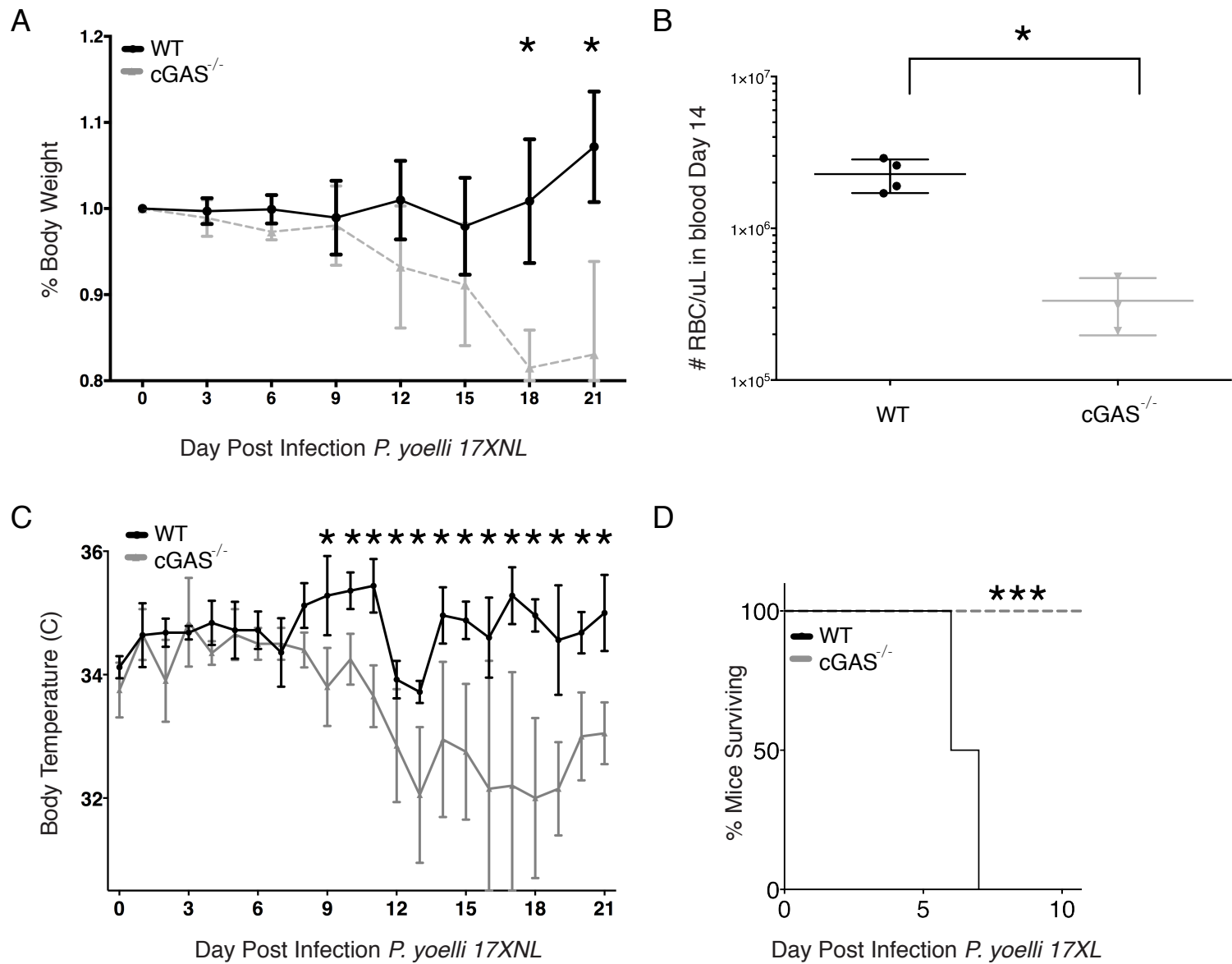


Figure 1 Supplemental. Hahn et al.



Supplemental Figure 1: cGAS deficiency leads to worse clinical outcomes during non-lethal blood-stage malaria infection.

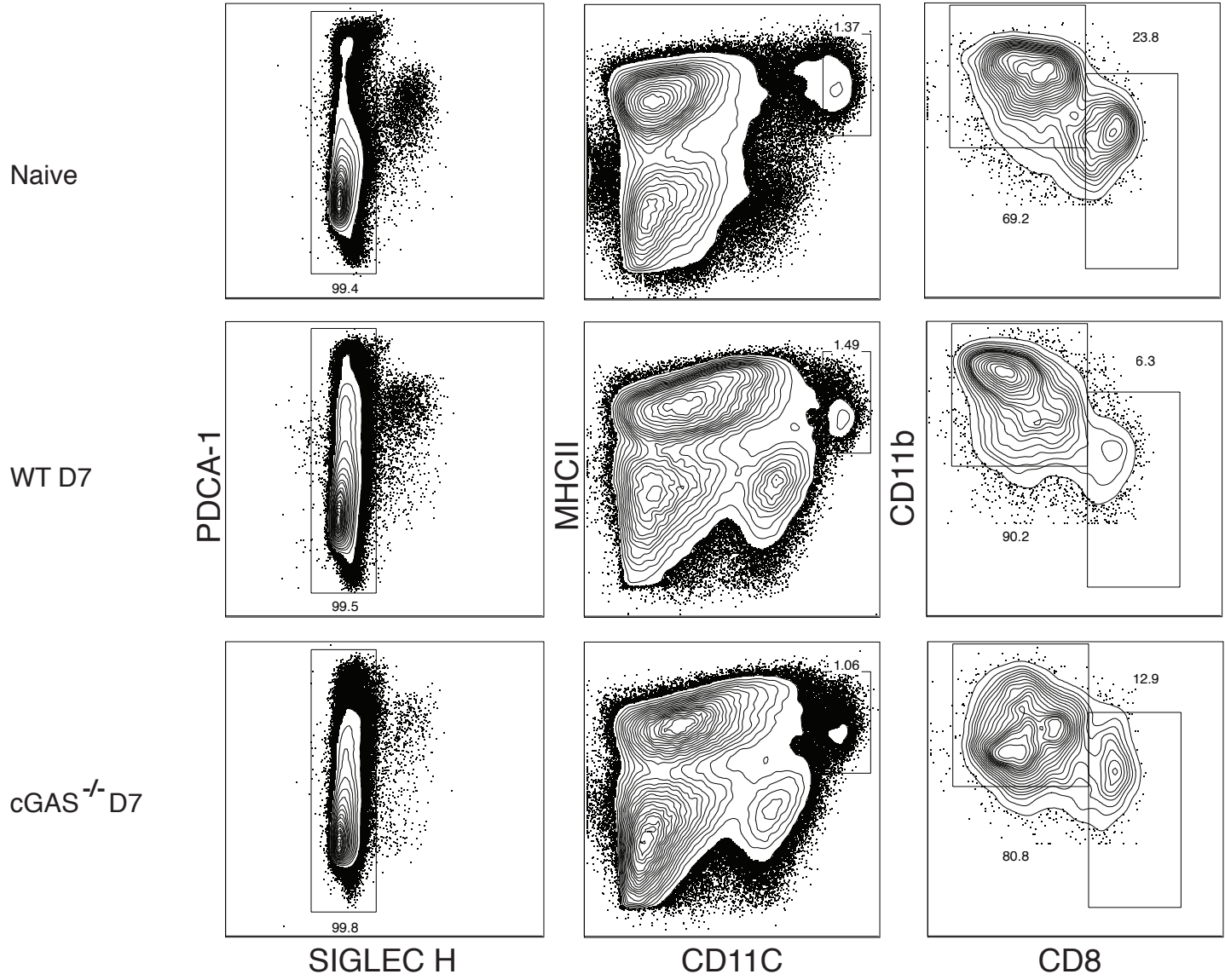
(A) Body weight was measured in the morning on an Ohaus scout digital scale with a precision of ± 0.1 g and compared to the baseline weight prior to infection with 10^6 P. yoelli 17XNL infected erythrocytes via the intraperitoneal route.

(B) Number of red blood cells per microliter of blood was quantified using Contessa automated cell counter on day 14 post-infection. Statistical analysis was performed by unpaired Student's t test with $p = .0024$. Error bars represent the standard deviation.

(C) Body surface temperature measured via infrared thermometer in the morning of the indicated day. * represents $p < 0.05$ as assessed by the unpaired Student's t test. Error bars represent the standard deviation.

(D) Survival curve for mice infected with 1×10^6 17XL infected erythrocytes via the intraperitoneal route. Statistical analysis was performed by the Log Rank (Mantel-Cox) test. *** indicates that $p < .001$.

Figure 2 Supplemental. Hahn et al.

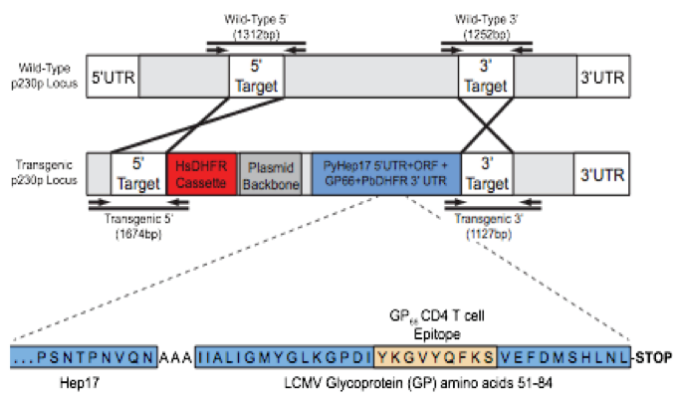


Supplemental Figure 2: Gating Scheme to Identify CD11b+ DCs.

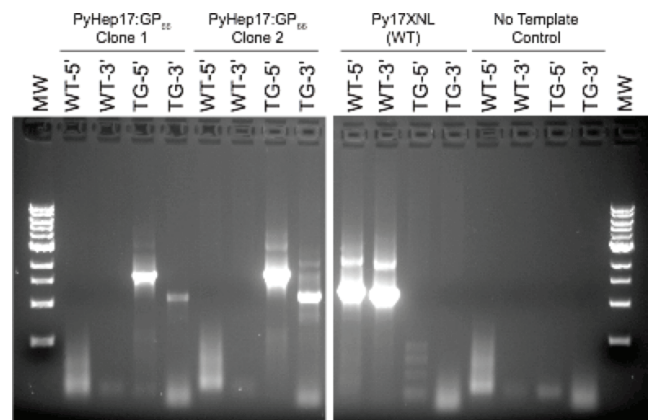
A. Flow cytometric gating scheme used to identify CD11b+ DCs. Cells were gated on singlets and pDCs were excluded using the marker Siglec H. DCs were identified as MHCII+, CD11c+. DCs were then subdivided into CD11b+ and CD8+ populations.

Figure 3 Supplemental. Hahn et al.

A



B



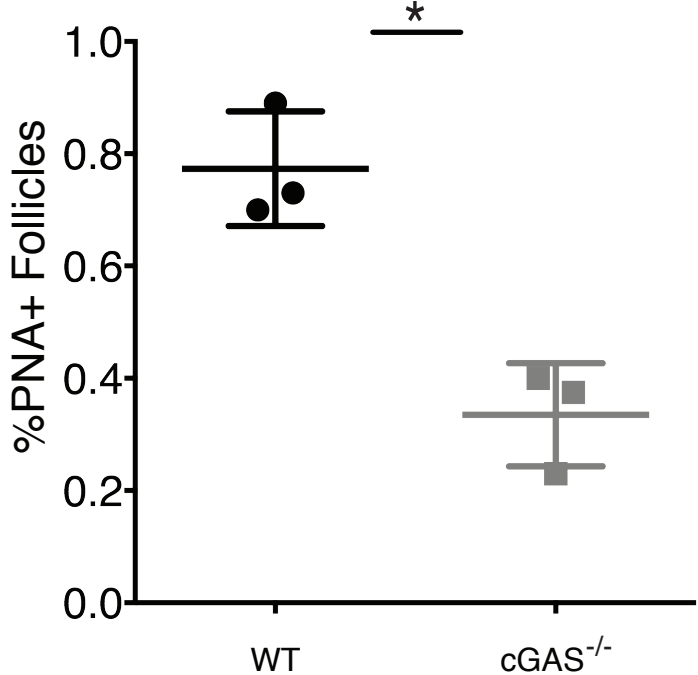
Supplemental Figure 3: Construction of GP66 Epitope Tagged *P. yoelli* 17XNL.

(A) Schematics of the wild-type and transgenic genomic loci of p230p are provided. Sequences used for double crossover recombination (5' Target, 3' Target) are indicated, as well as elements introduced in the transgenic parasite such as the human DHFR cassette, plasmid backbone sequences, and the *P. yoelli* hep17 cassette with the C-terminally appended GP51-84 epitope tag. The C-terminal amino acid coding sequence of GP epitope-tagged Hep17 protein is also shown. The location of primers used for genotyping PCR are indicated by arrows and the resulting PCR product is noted in parentheses.

(B) Genotyping PCR of two clonal populations.

Figure 4 Supplemental Hahn et al

A



B

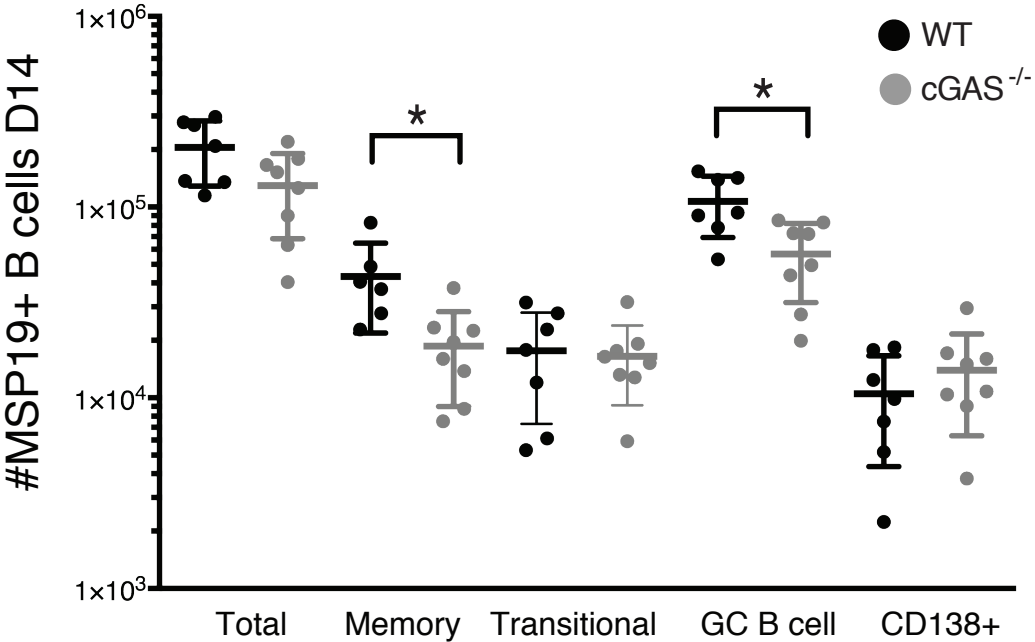


Figure 4 Supplemental. Absence of cGAS Decreases GC B cell Numbers.

(A) Quantification of PNA positive follicles demonstrated in Figure 1. Error bars represent standard deviation. Statistical analysis was performed using the unpaired Student's t test. Error bars represent the standard deviation. * indicates $p < .05$.

(B) Quantification of MSP1-specific B cells on Day 14. Each time point represents data from three separate experiments with at least seven biological replicates. Error bars represent standard deviation. Statistical analysis was performed using the unpaired Student's t test. Error bars represent the standard deviation. * indicates $p < .05$.