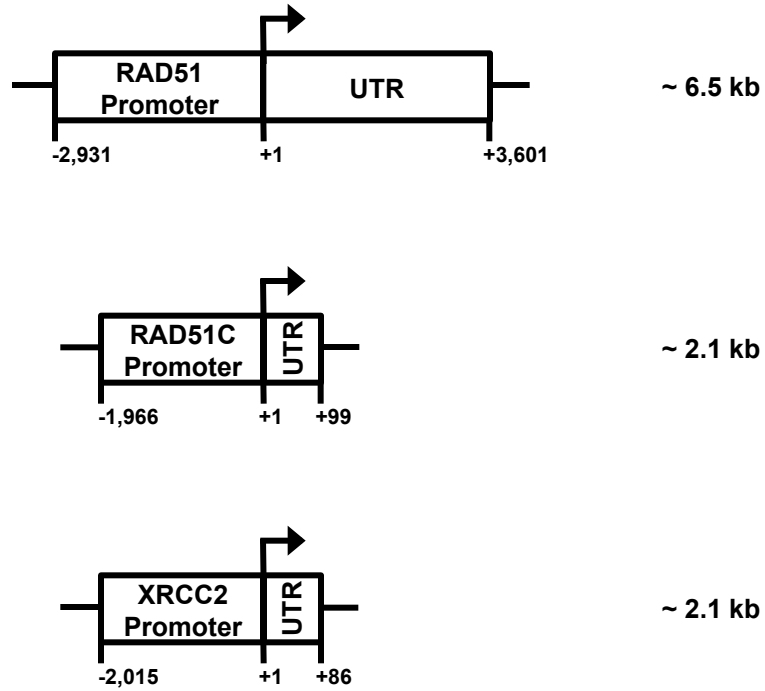
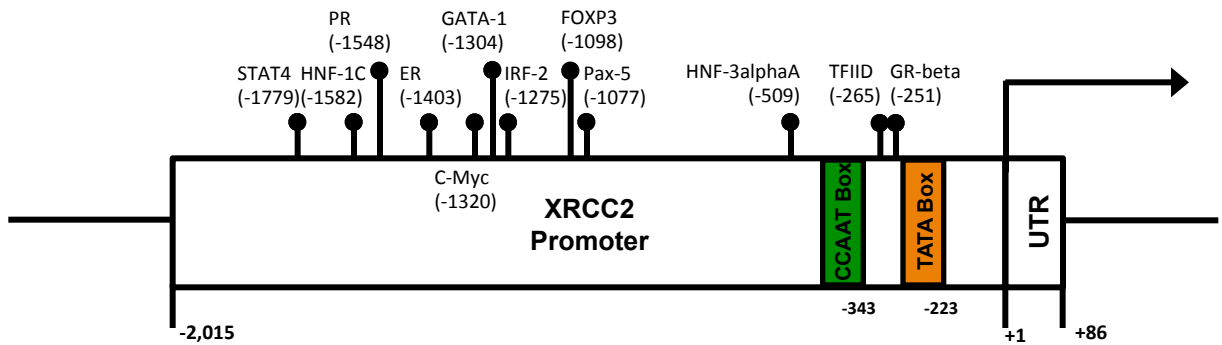


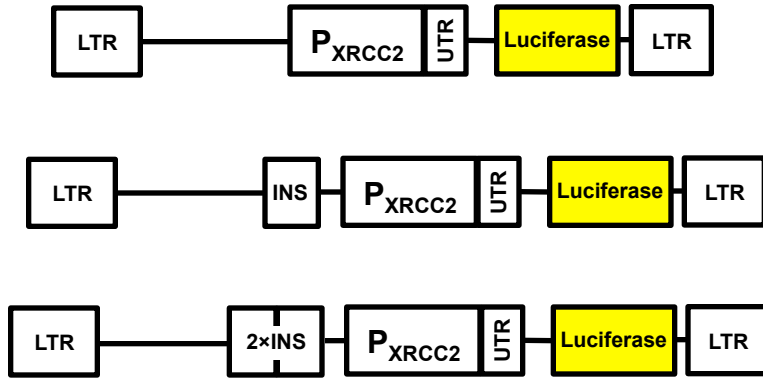
a



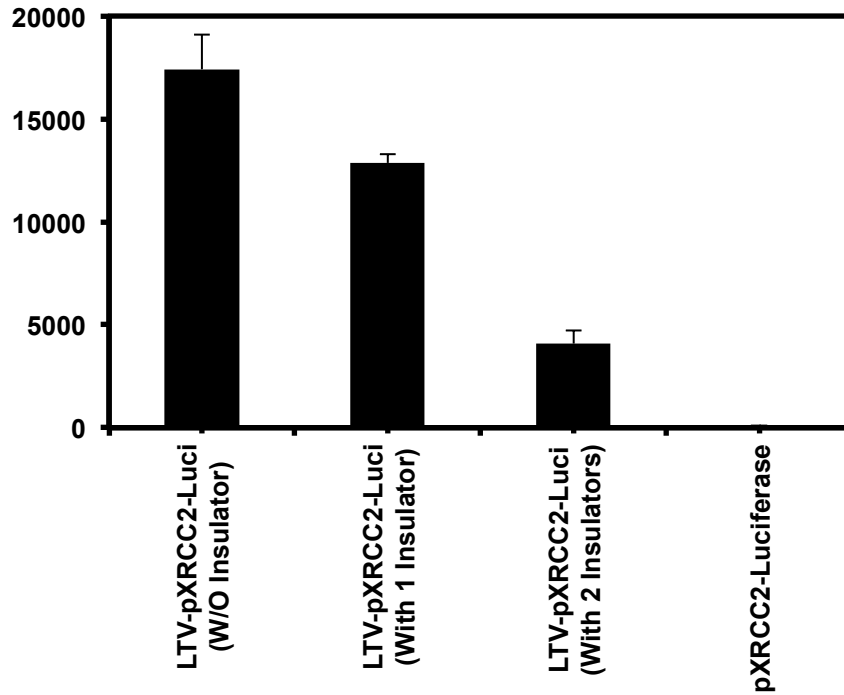
b

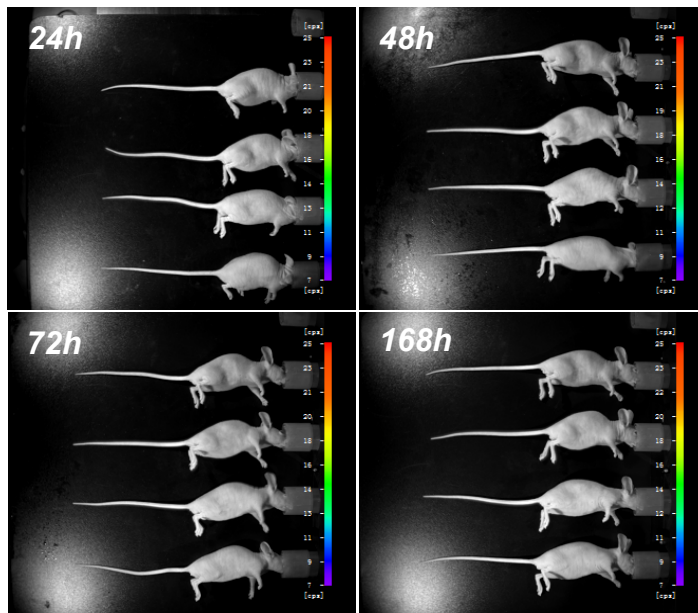


a

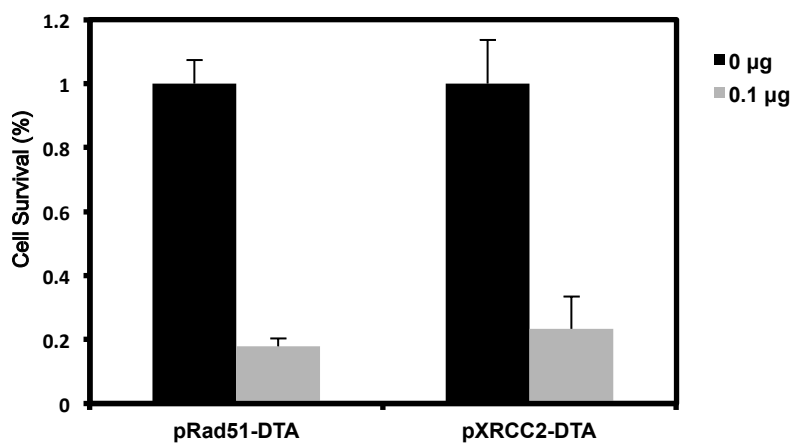


b





Controls without pXRCC2-Luc Virus



Supplementary Figure 4