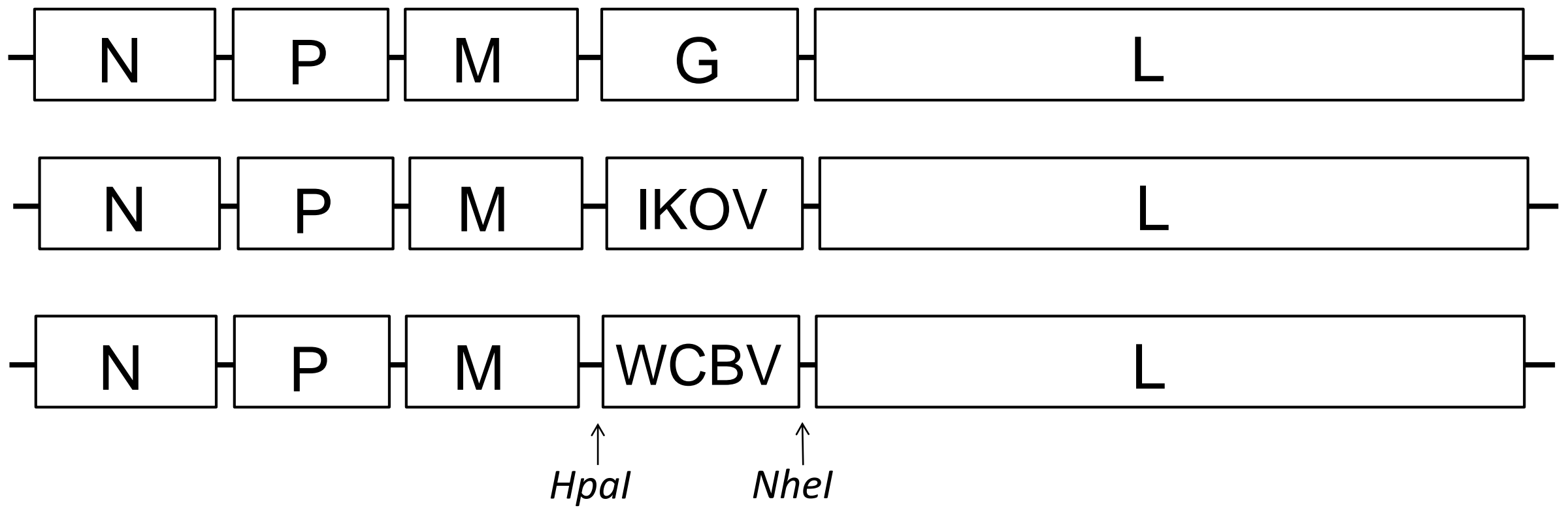
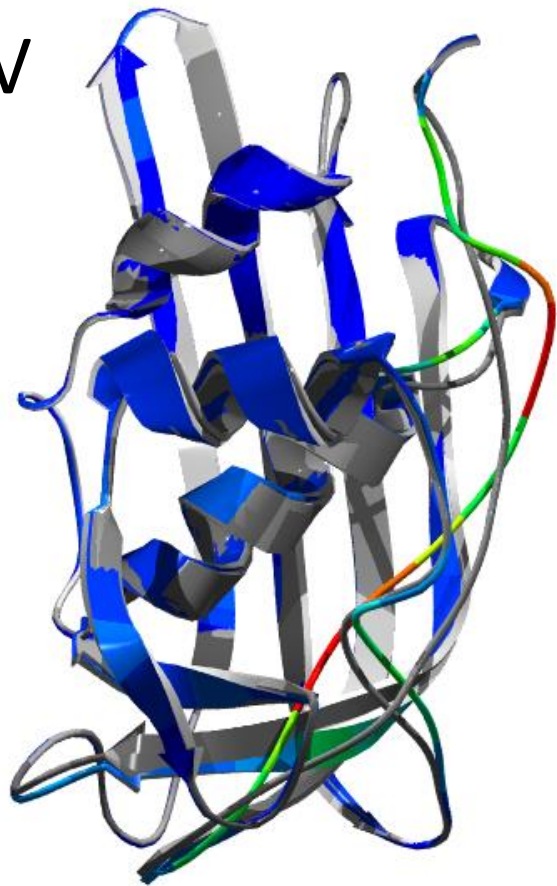


Evans et al., 2017 Supplementary figure 1

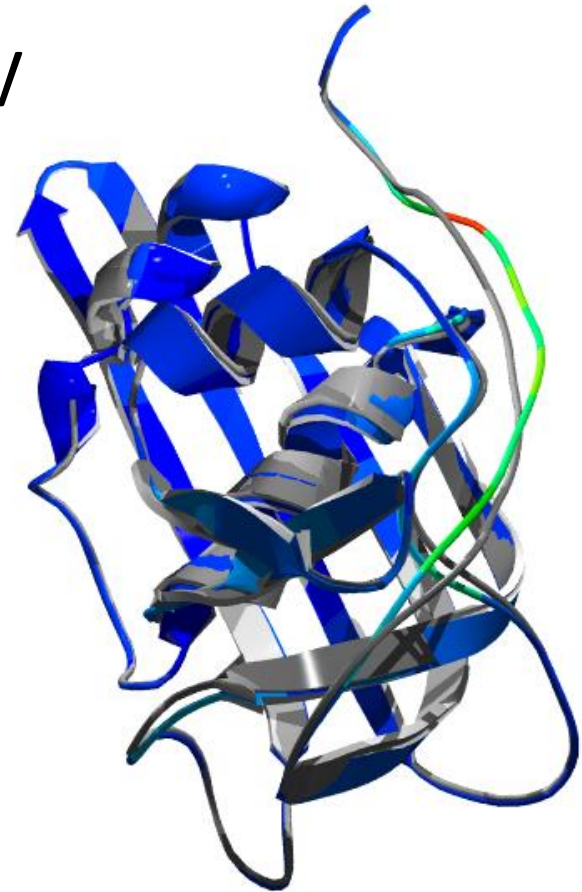


Evans et al., 2017- Supplementary file 2

a) IKOV



b) WCBV



c) LLEBV

