

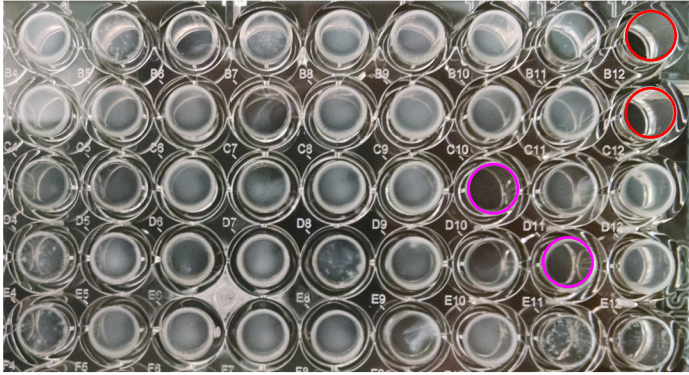
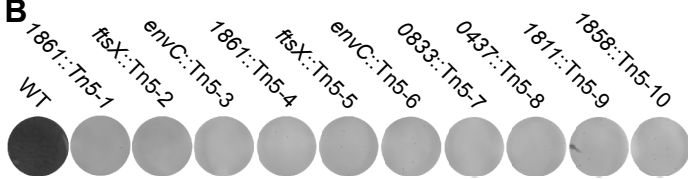
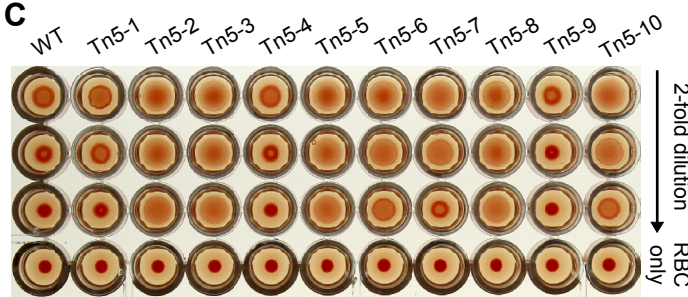
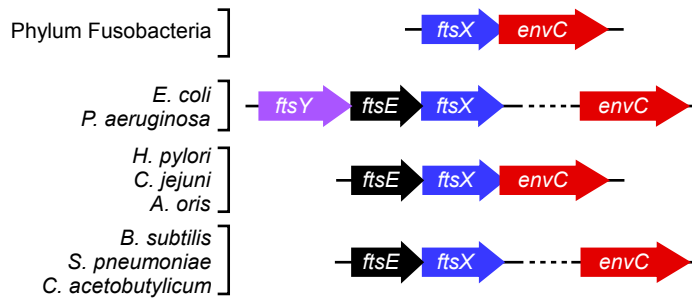
A**B****C****D**

Figure S1: Wu et al.