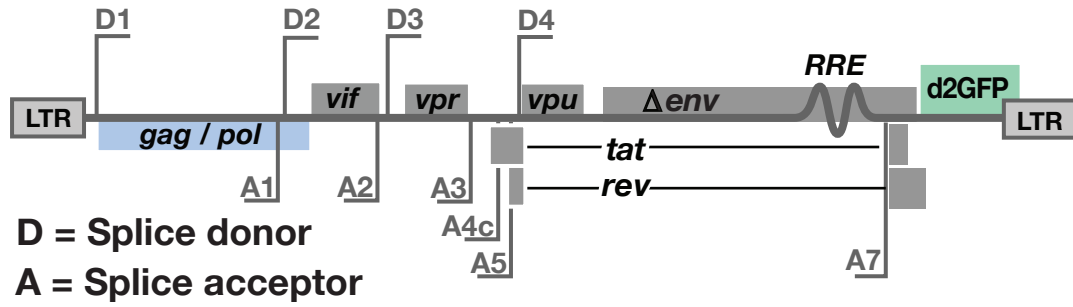
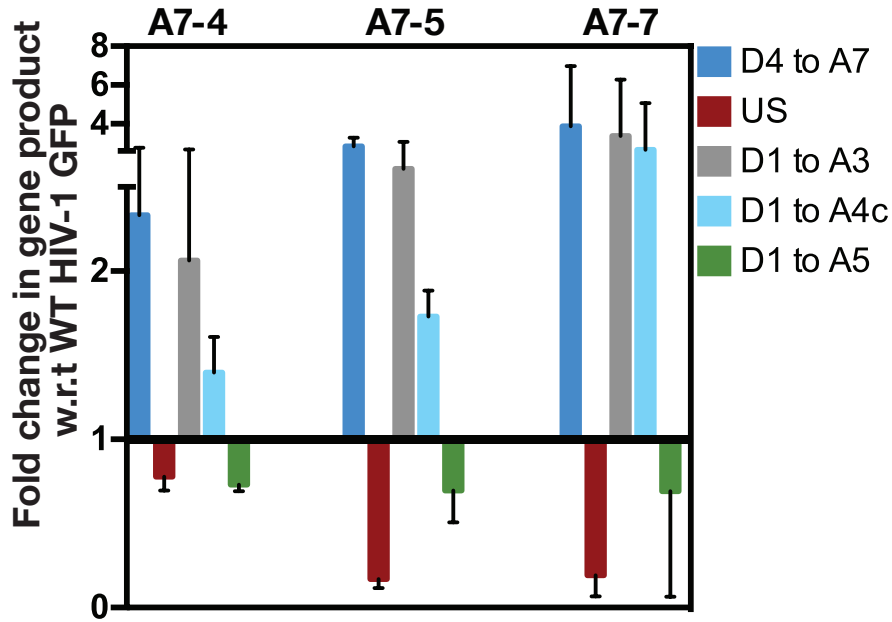
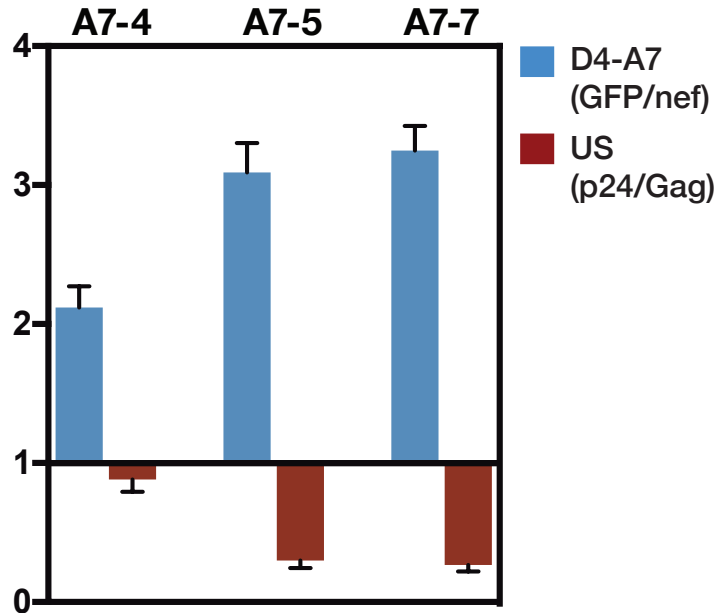


A**B**

Cellular RNA collected 4 hours post TNF activation



Cellular protein 20 hours post TNF activation

**C**