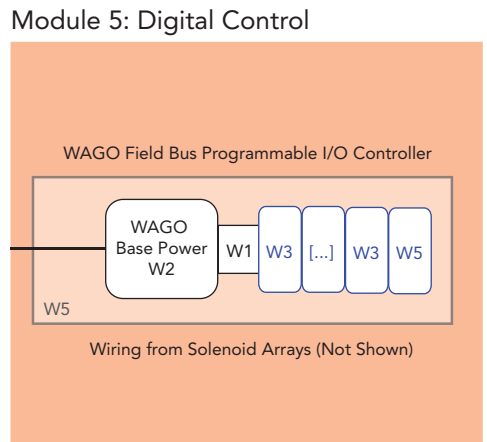
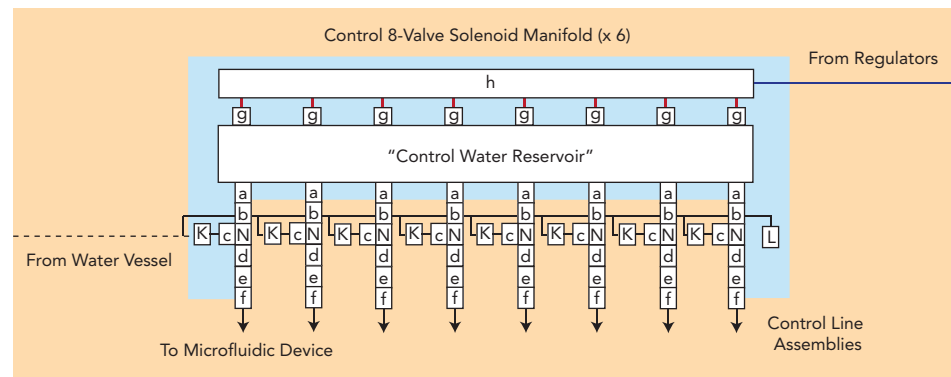
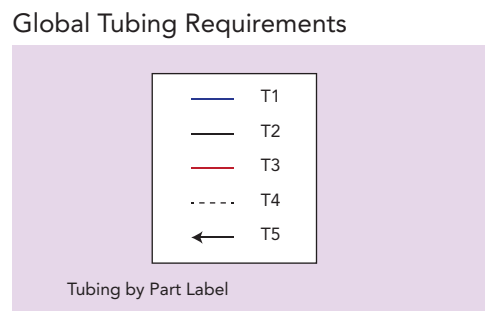
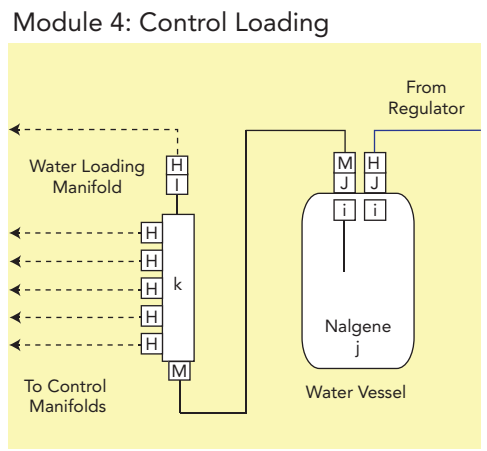
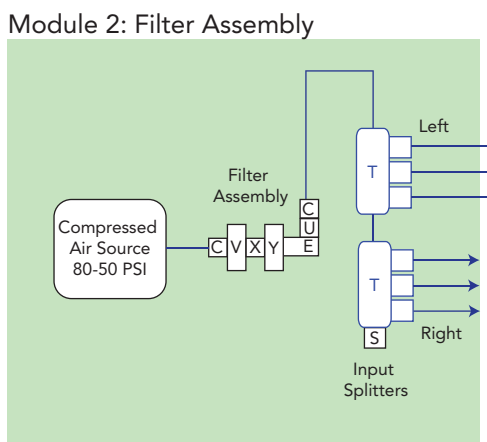
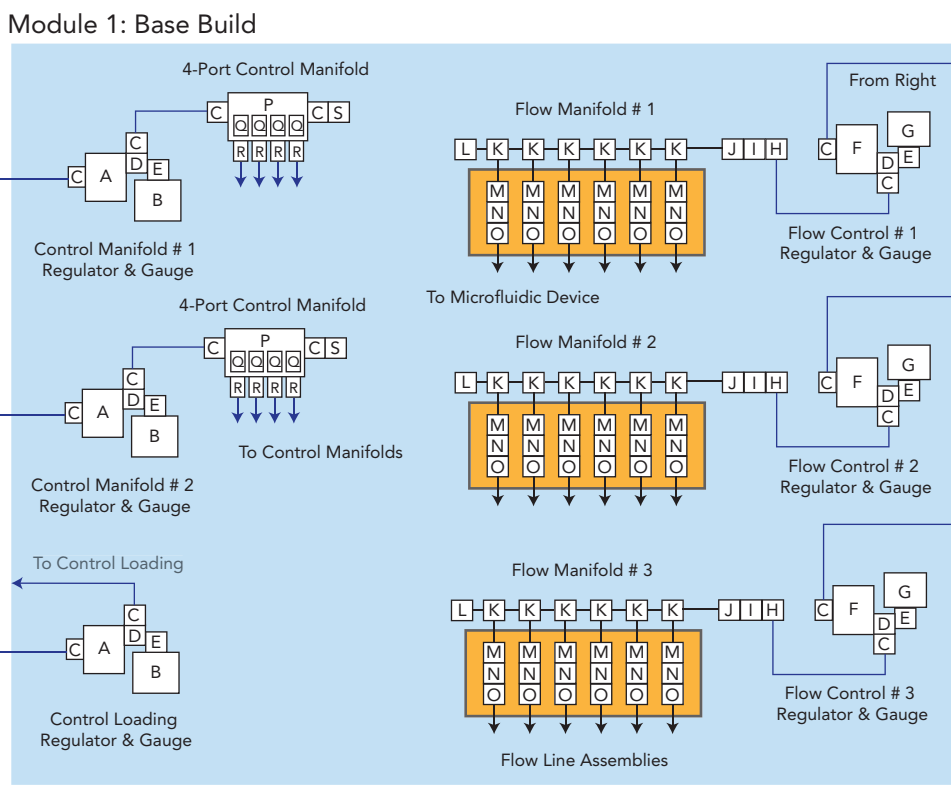


Universal Pneumatic Controller Setup Schematic



Module 3: Control Valve Manifolds