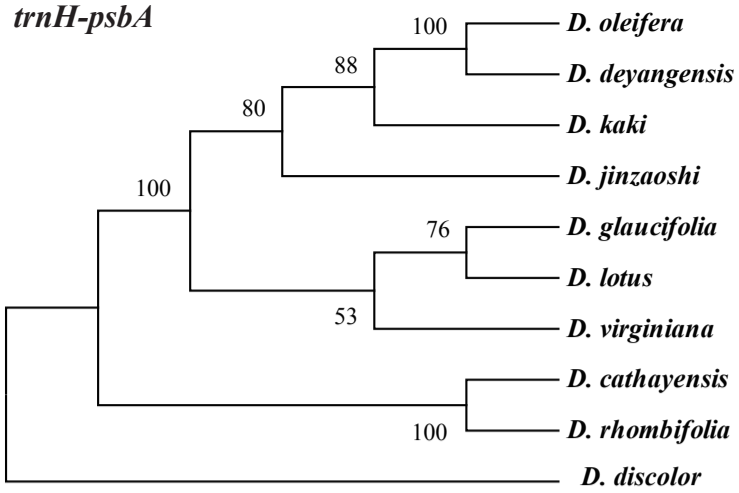
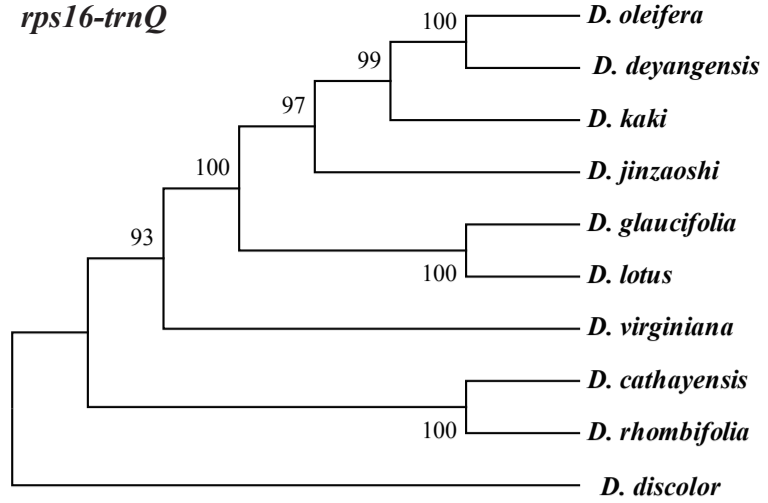


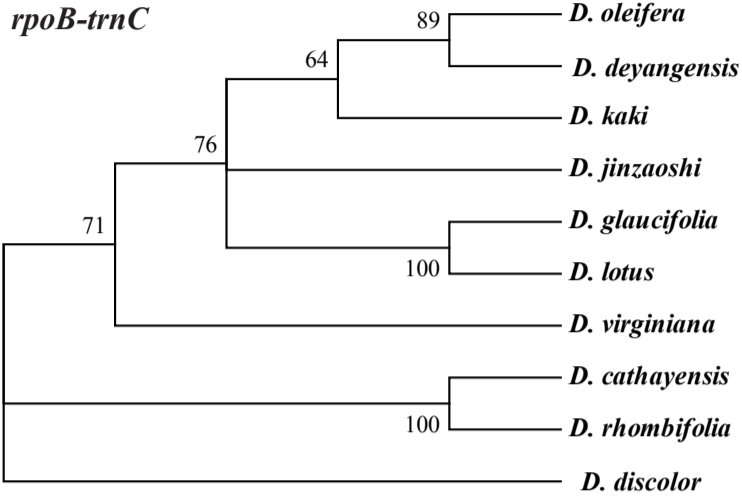
*trnH-psbA*



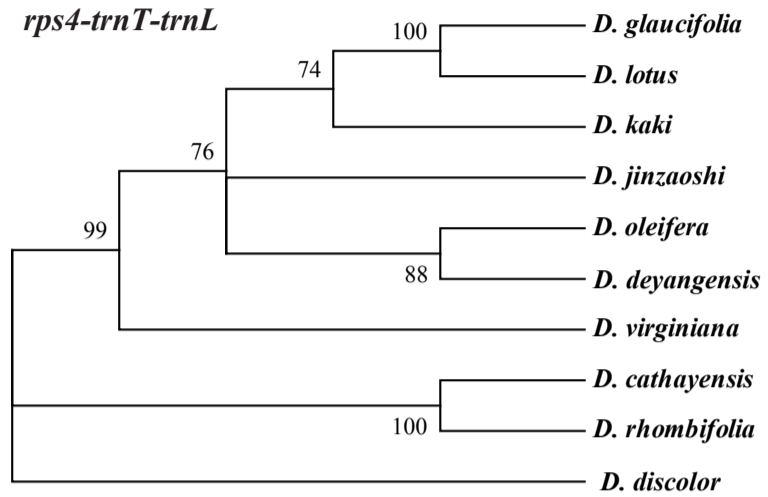
*rps16-trnQ*



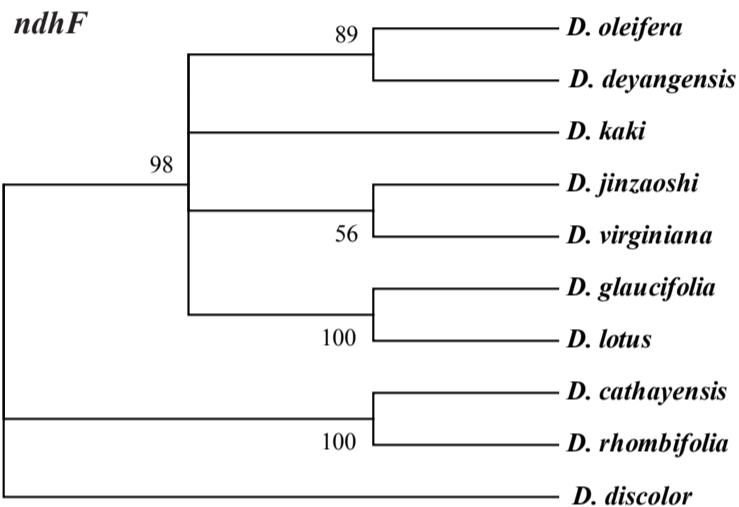
*rpoB-trnC*



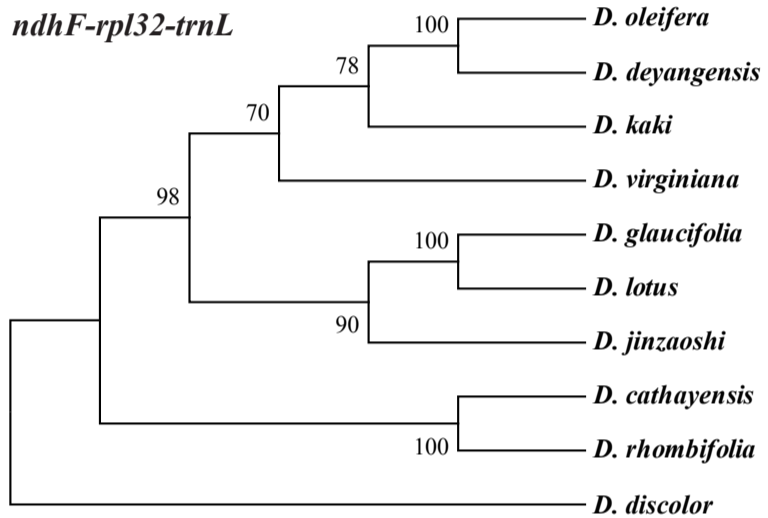
*rps4-trnT-trnL*



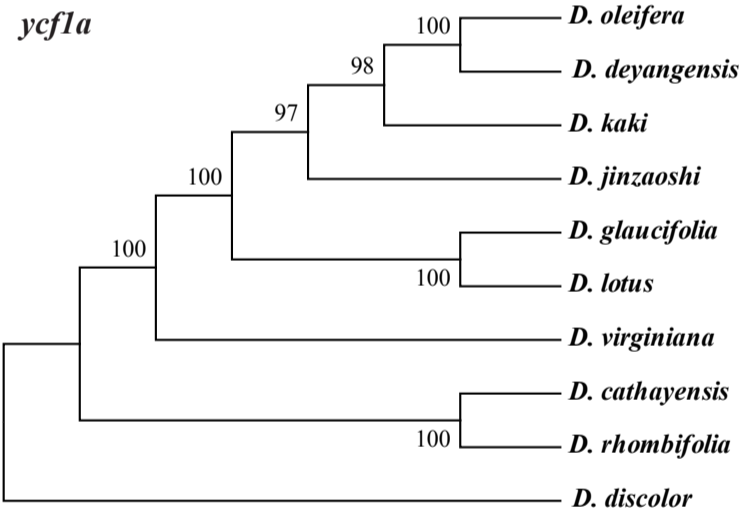
*ndhF*



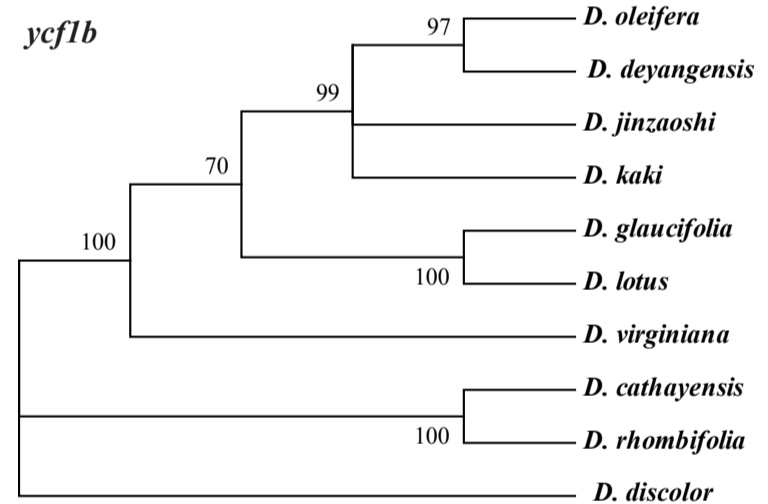
*ndhF-rpl32-trnL*



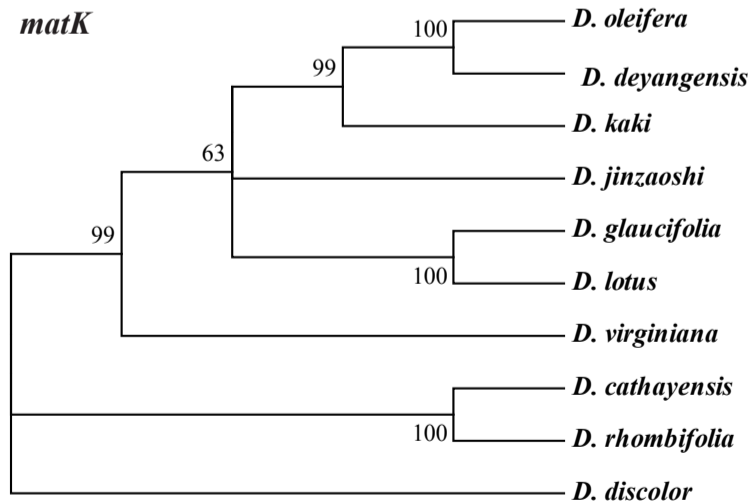
*ycf1a*



*ycf1b*



*matK*



*rbcL*

