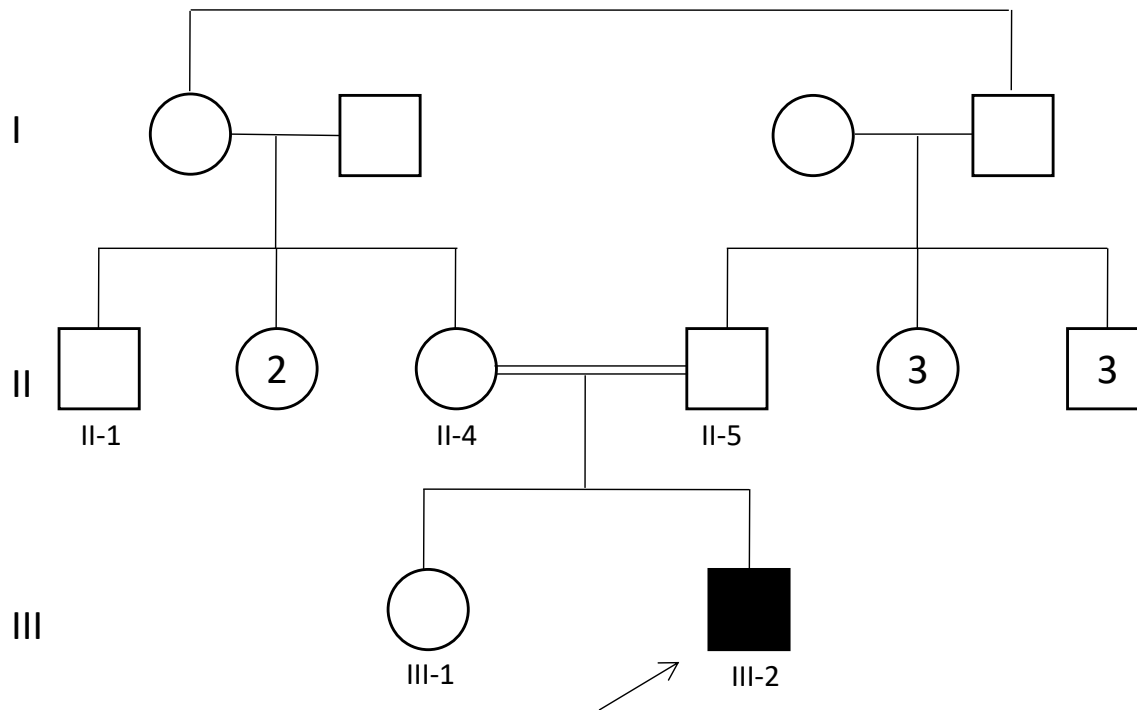
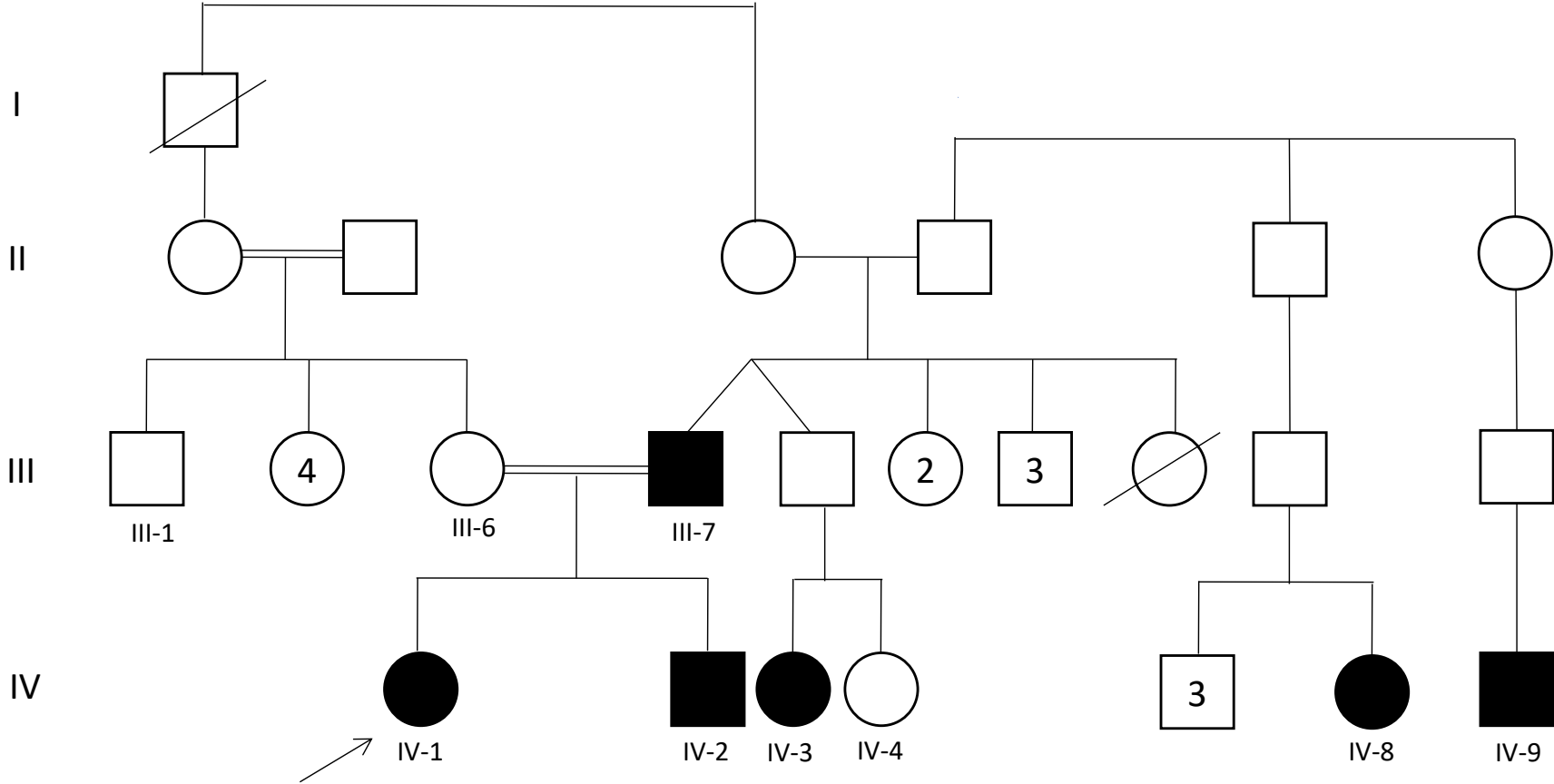


**FIGURE S1**



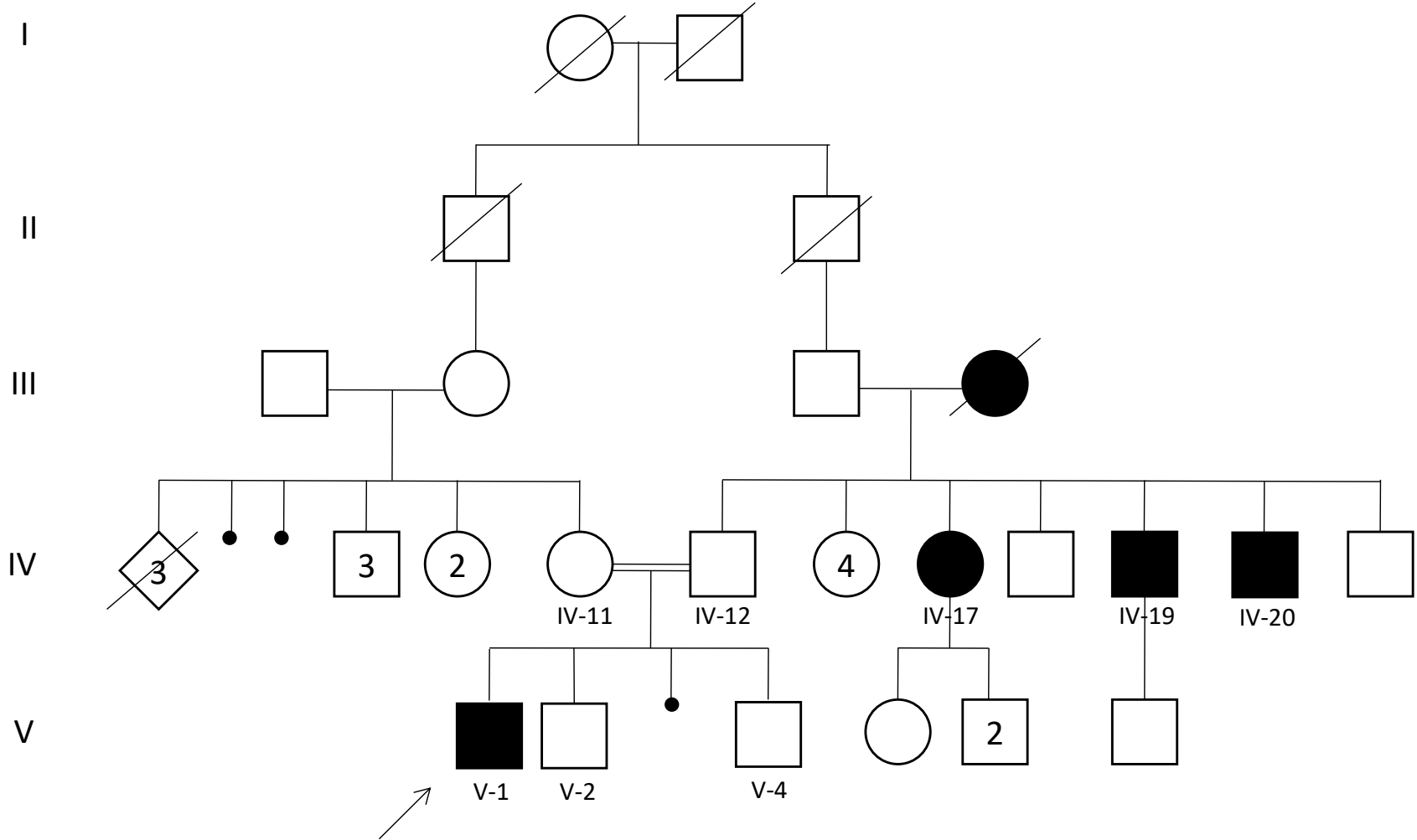
Detailed pedigree structure of TA11.

**FIGURE S2**



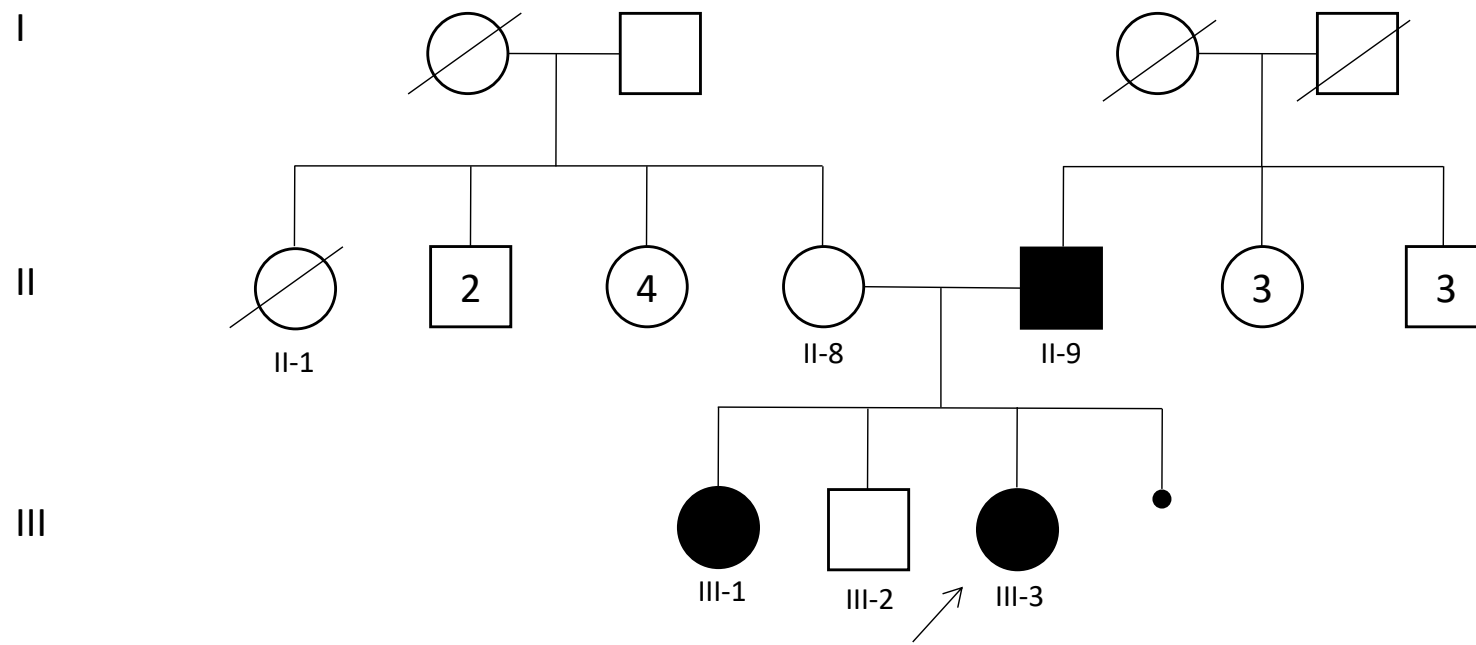
Detailed pedigree structure of TA12.

**FIGURE S3**



Detailed pedigree structure of TA13.

**FIGURE S4**



Detailed pedigree structure of TA14.