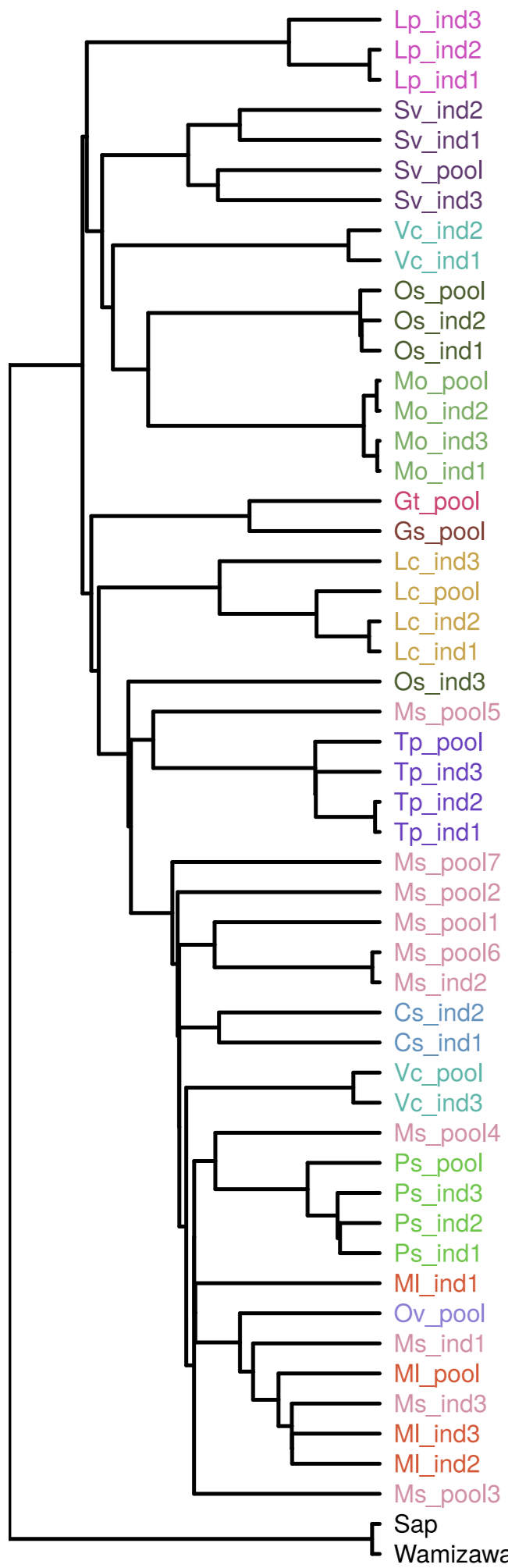
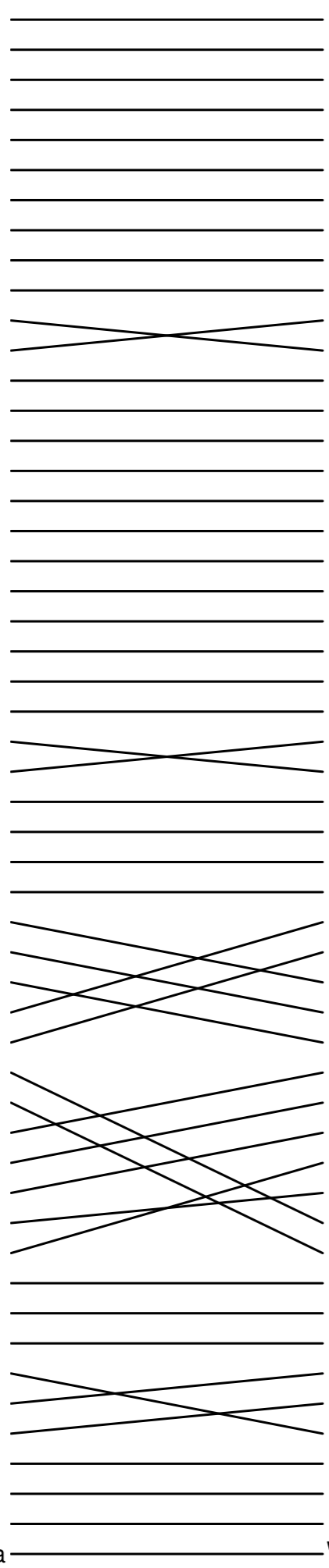


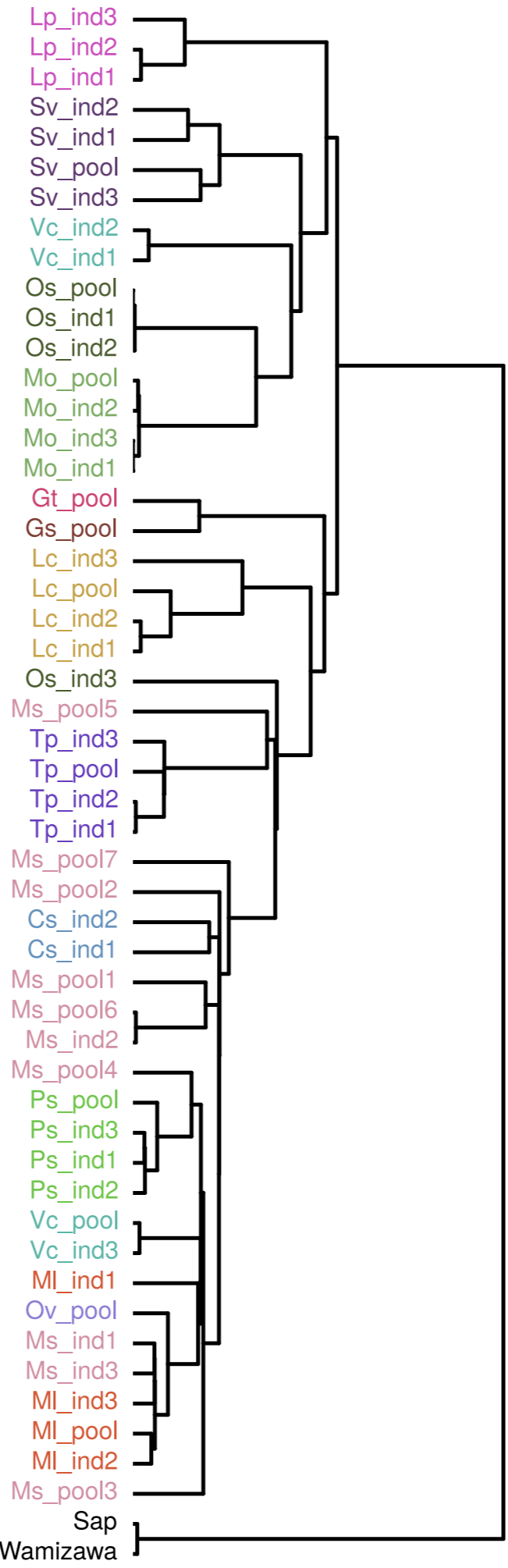
Neighbor joining



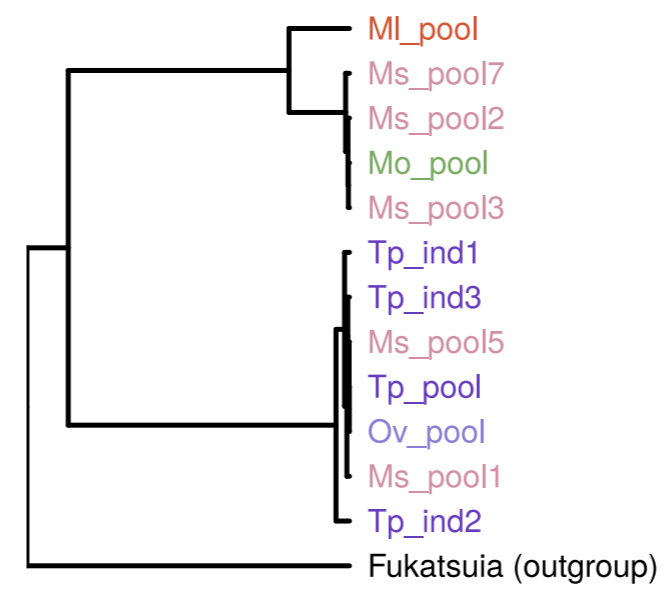
Buchnera



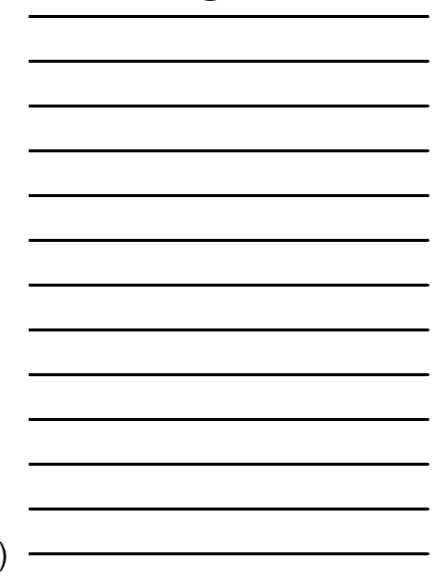
Gene set phylogenomic



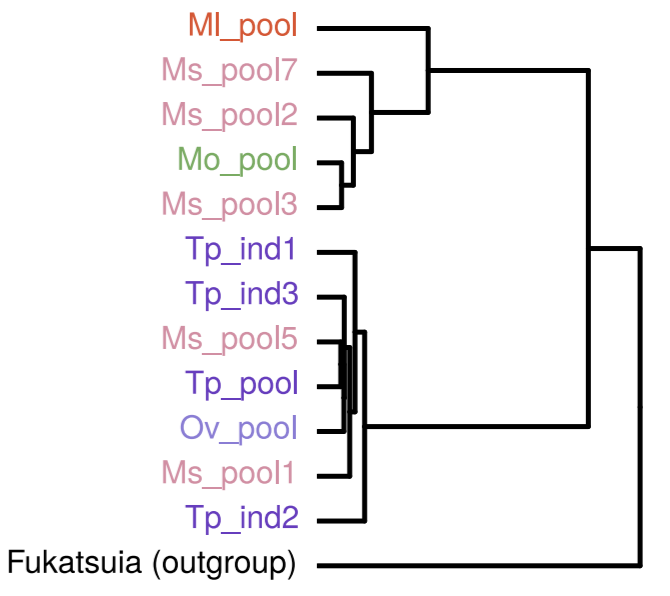
Gene set phylogeny



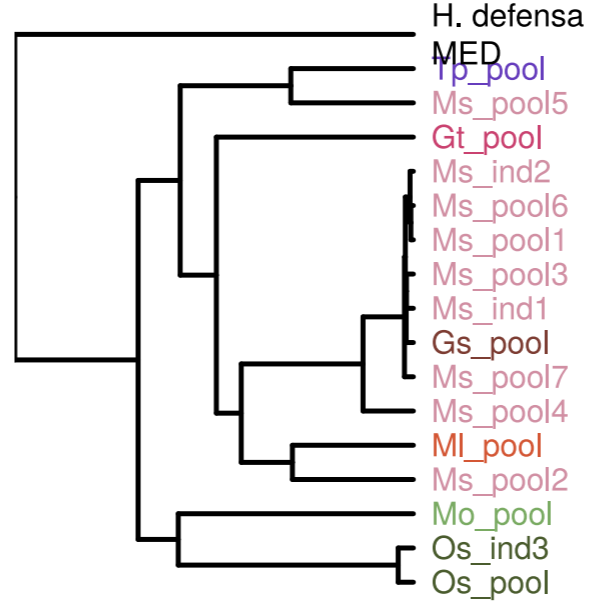
Regiella



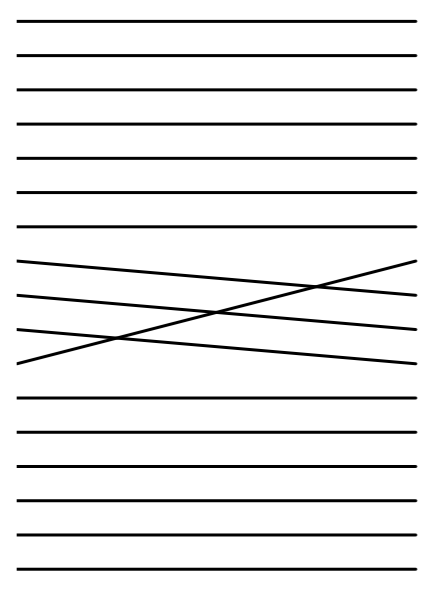
Neighbor joining



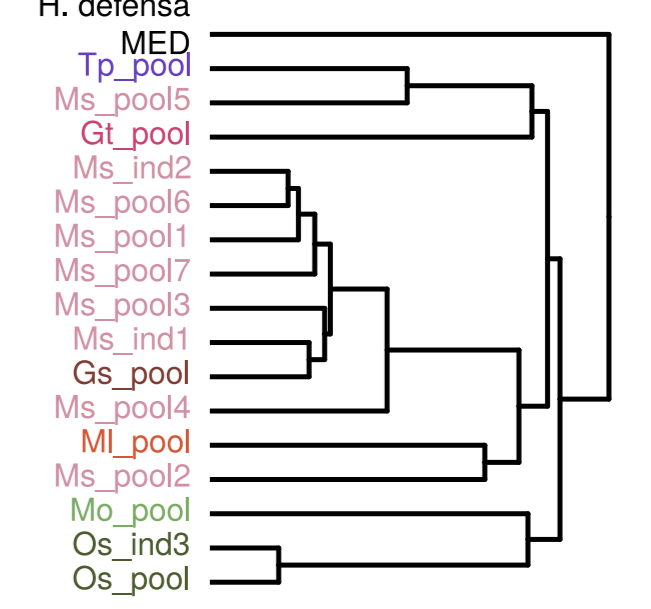
Gene set phylogeny



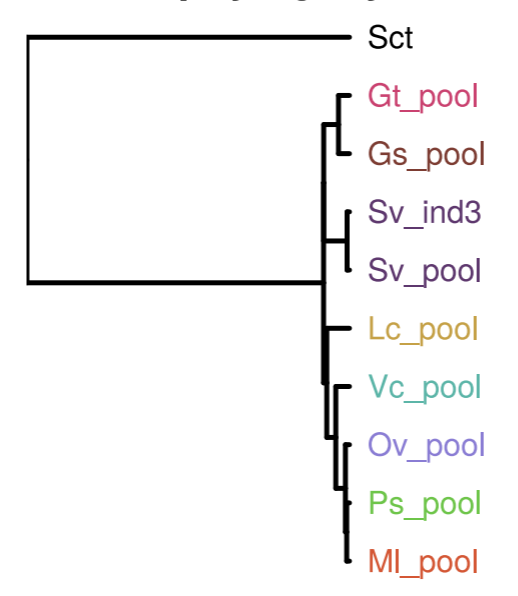
Hamiltonella



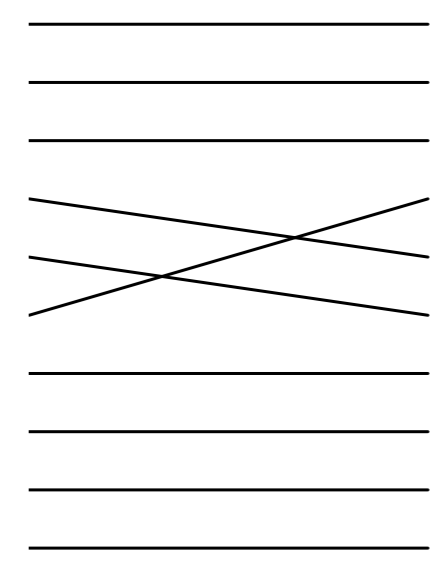
Neighbor joining



Gene set phylogeny



Serratia



Neighbor joining

