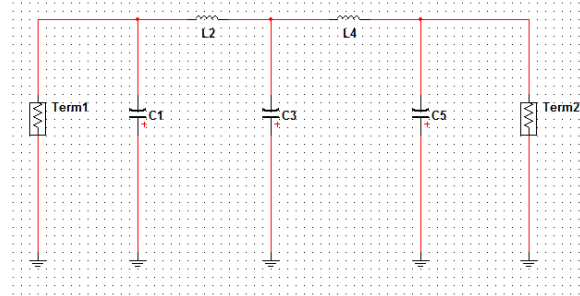
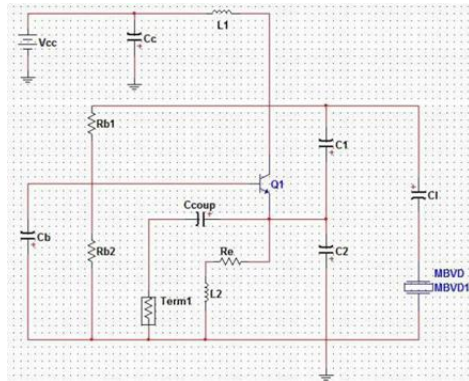




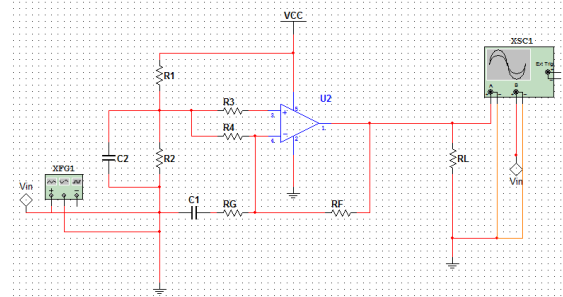
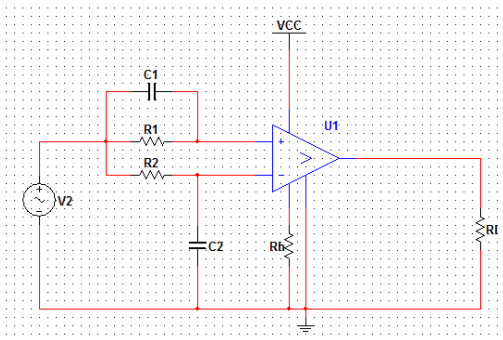
Micro-Electromechanical Acoustic Resonator Coated with Polyethyleneimine Nanofibers for the Detection of Formaldehyde Vapor

Da Chen *, Lei Yang, Wenhua Yu, Maozeng Wu, Wei Wang and Hongfei Wang



(a)

(b)



(c)

(d)

Figure S1. Details of the circuit design of the film bulk acoustic resonator (FBAR) testing system. (a) Colpitts oscillator of the FBAR devices; (b) low-pass filter (LPF); (c) the amplifier; (d) the waveform transformation.