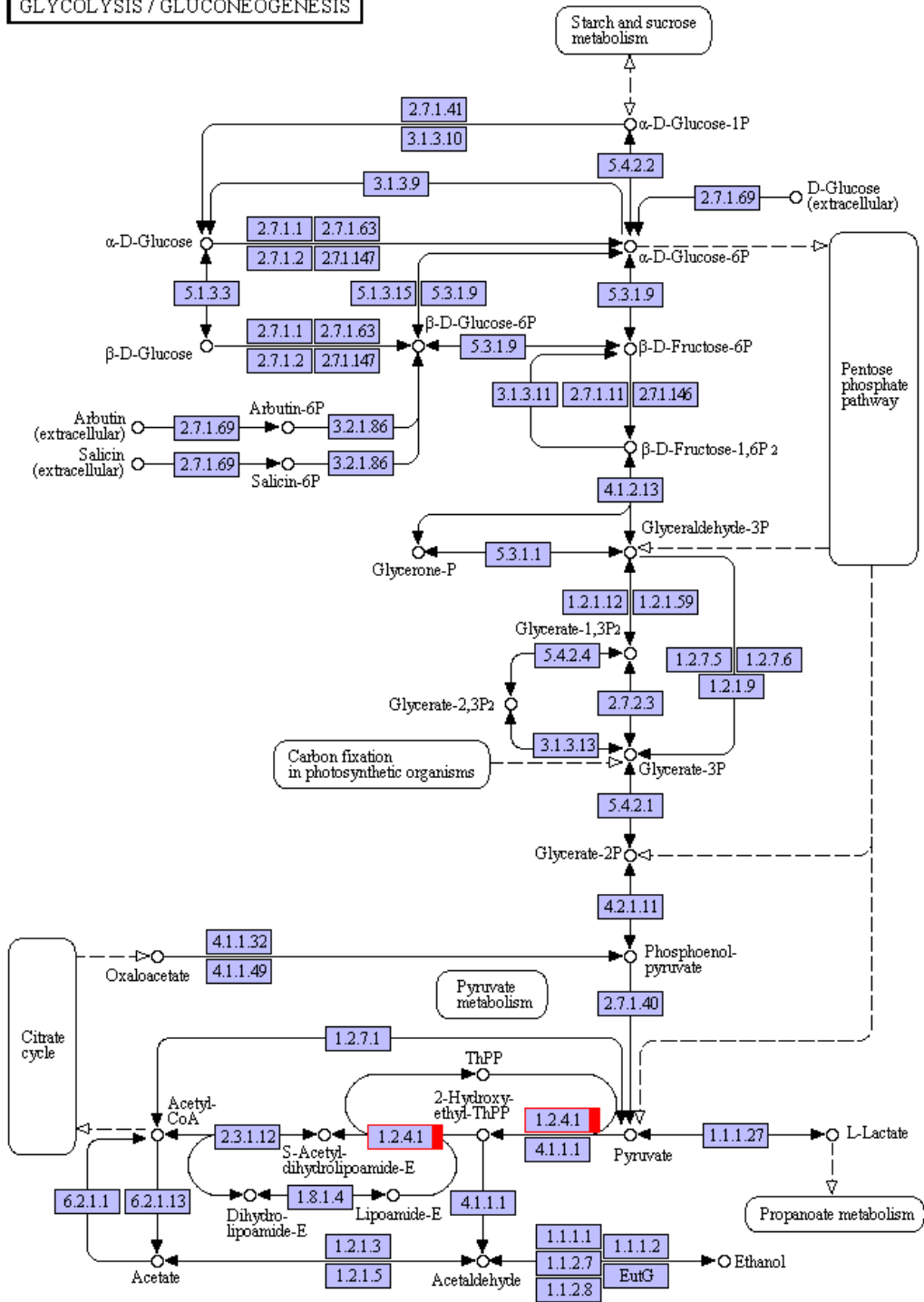
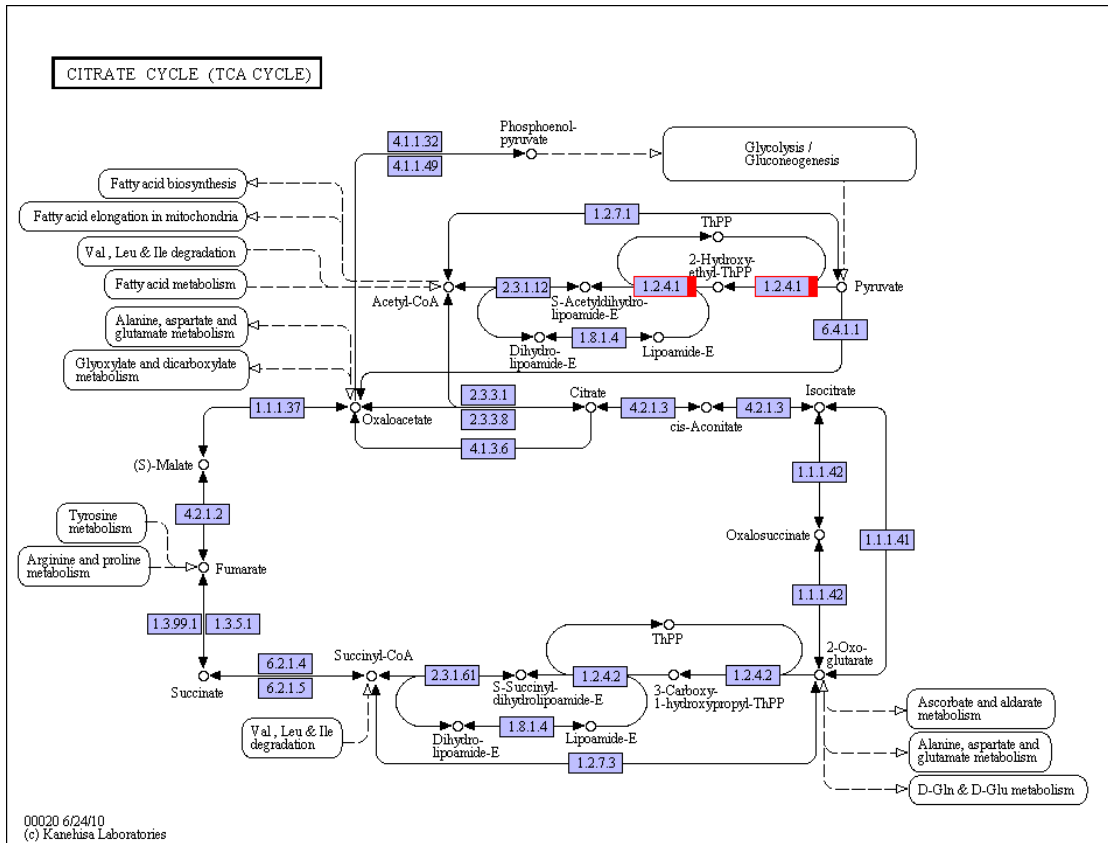


GLYCOLYSIS / GLUCONEOGENESIS



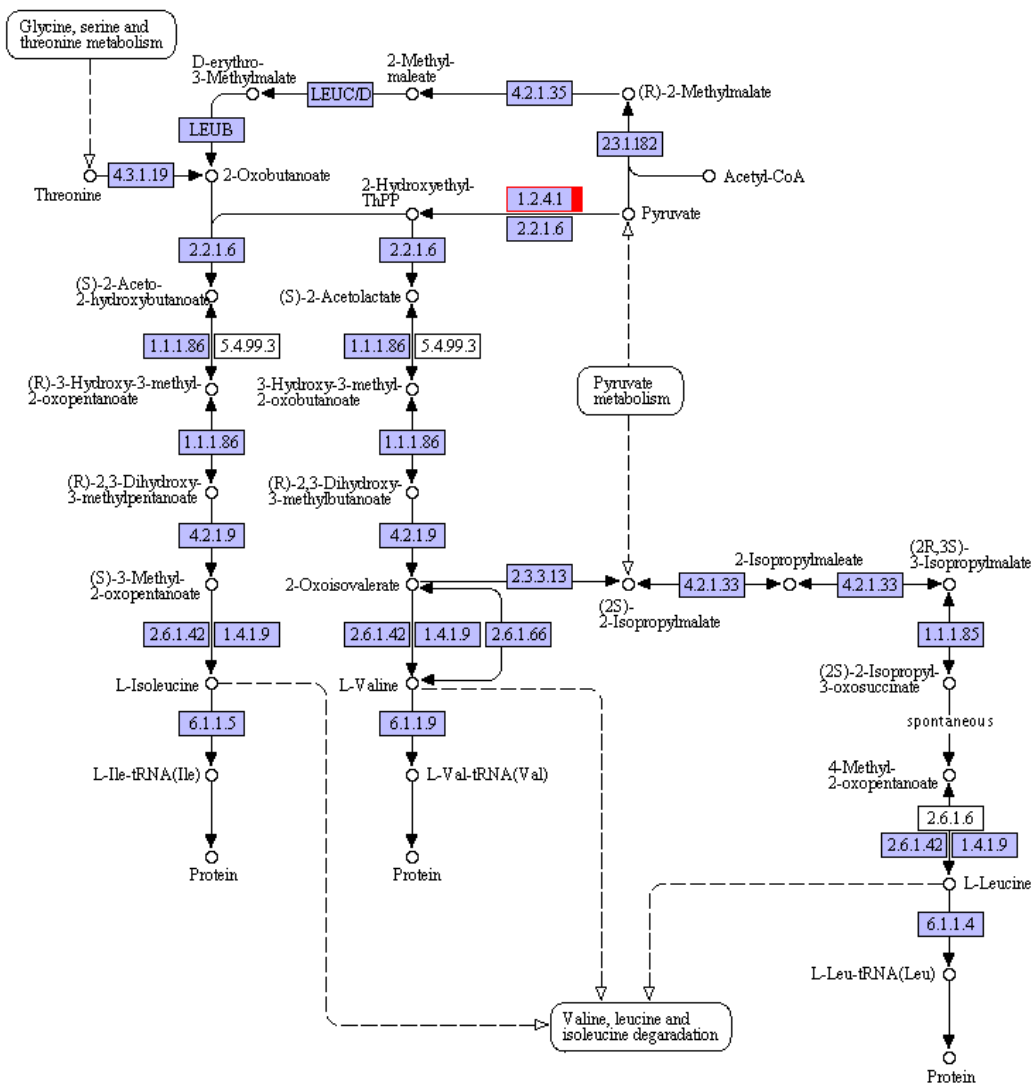
00010 2/4/11
(c) Kanehisa Laboratories

Ko00010



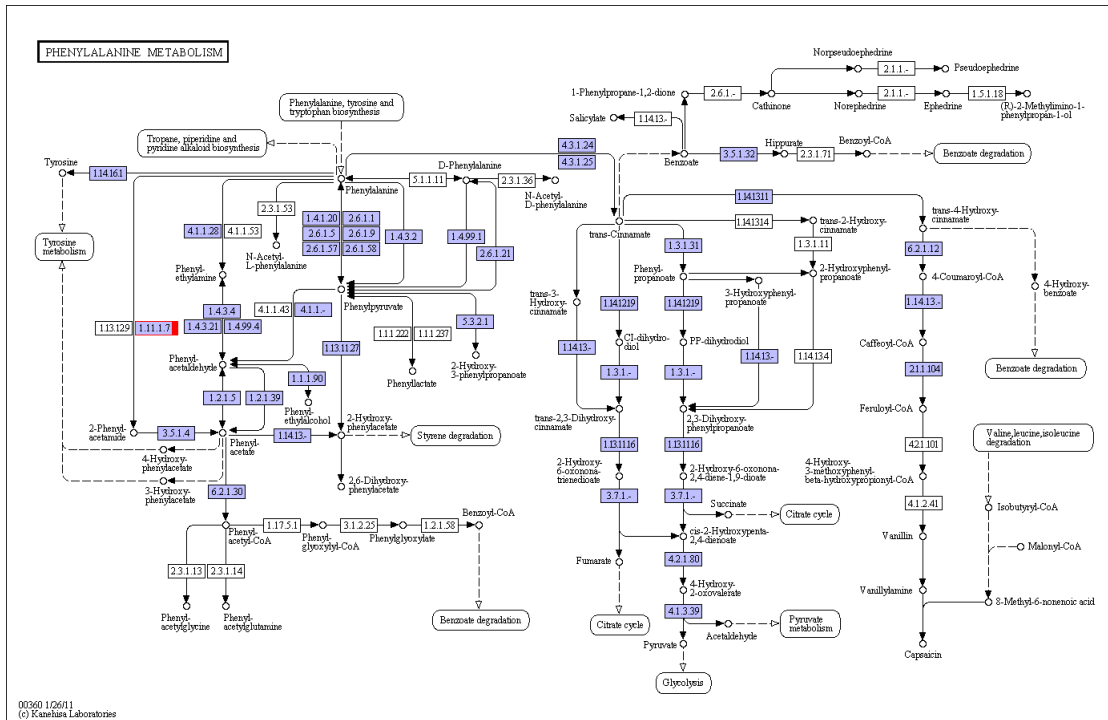
Ko00020

VALINE, LEUCINE AND ISOLEUCINE BIOSYNTHESIS

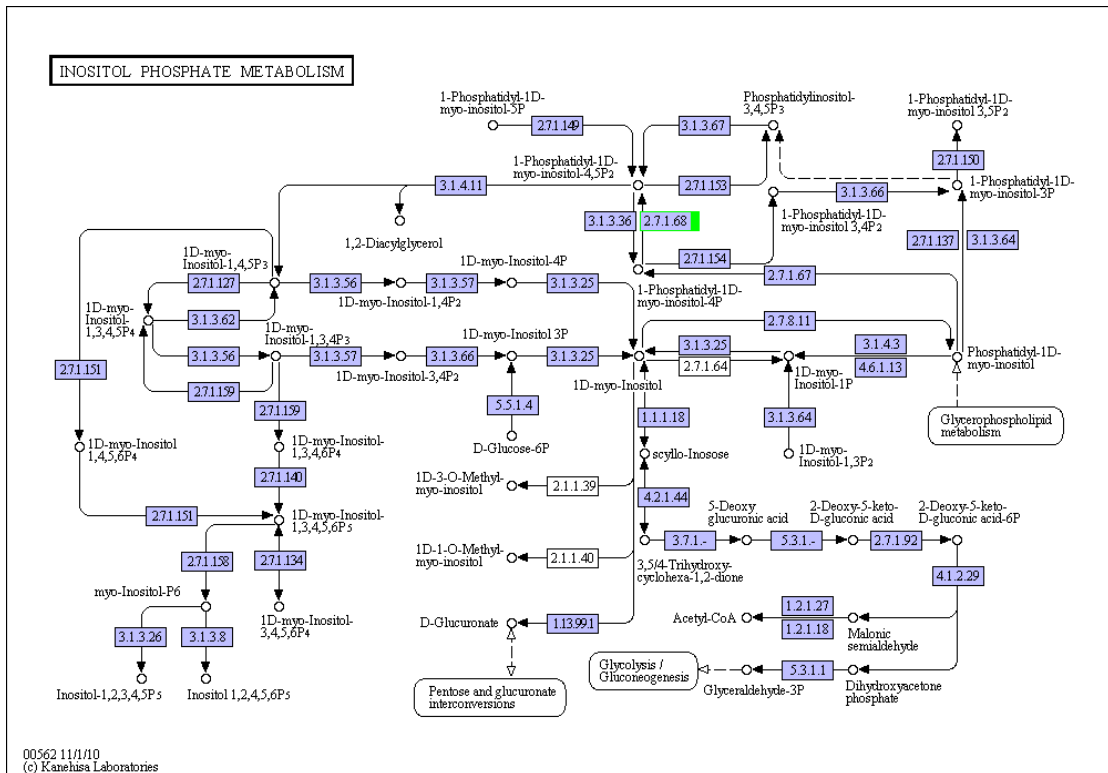


00290 11/16/10
 (c) Kanehisa Laboratories

Ko00290

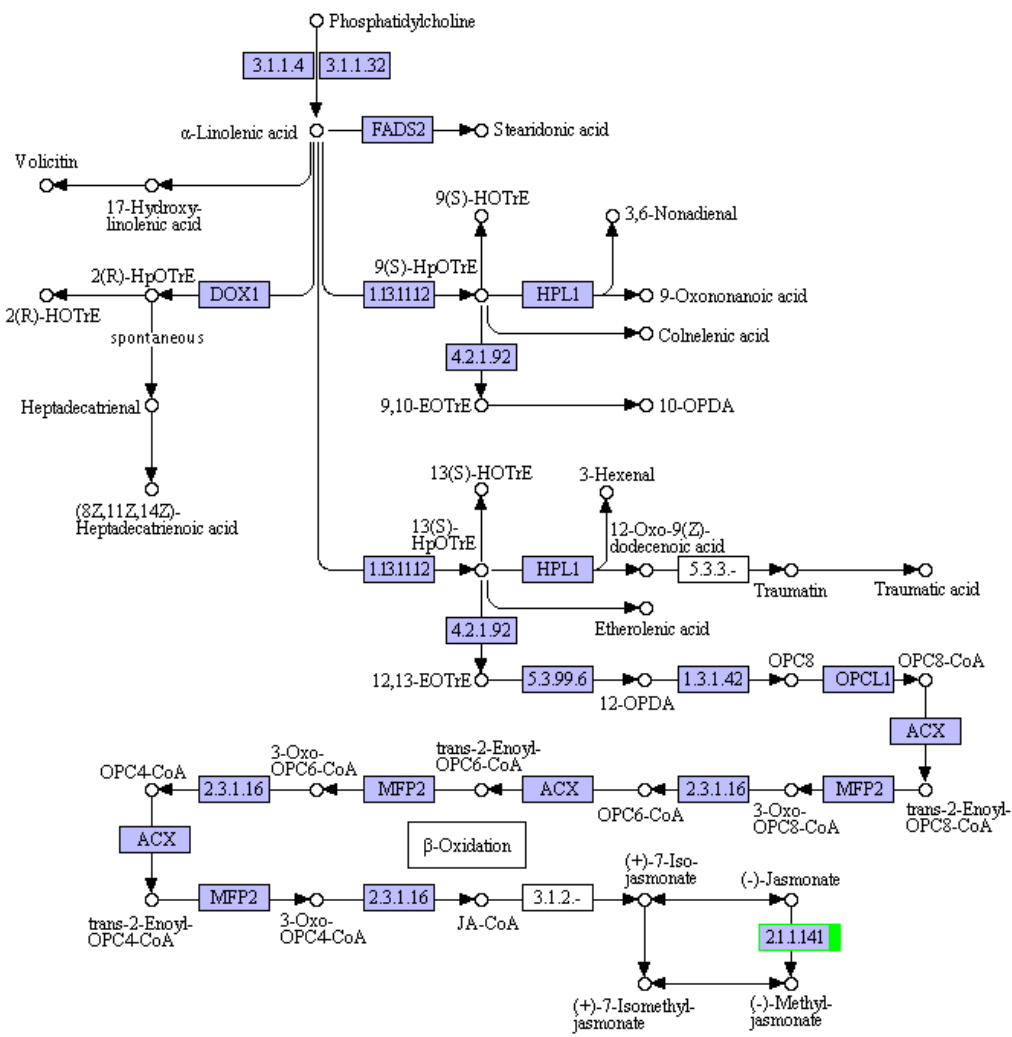


Ko000360



Ko00562

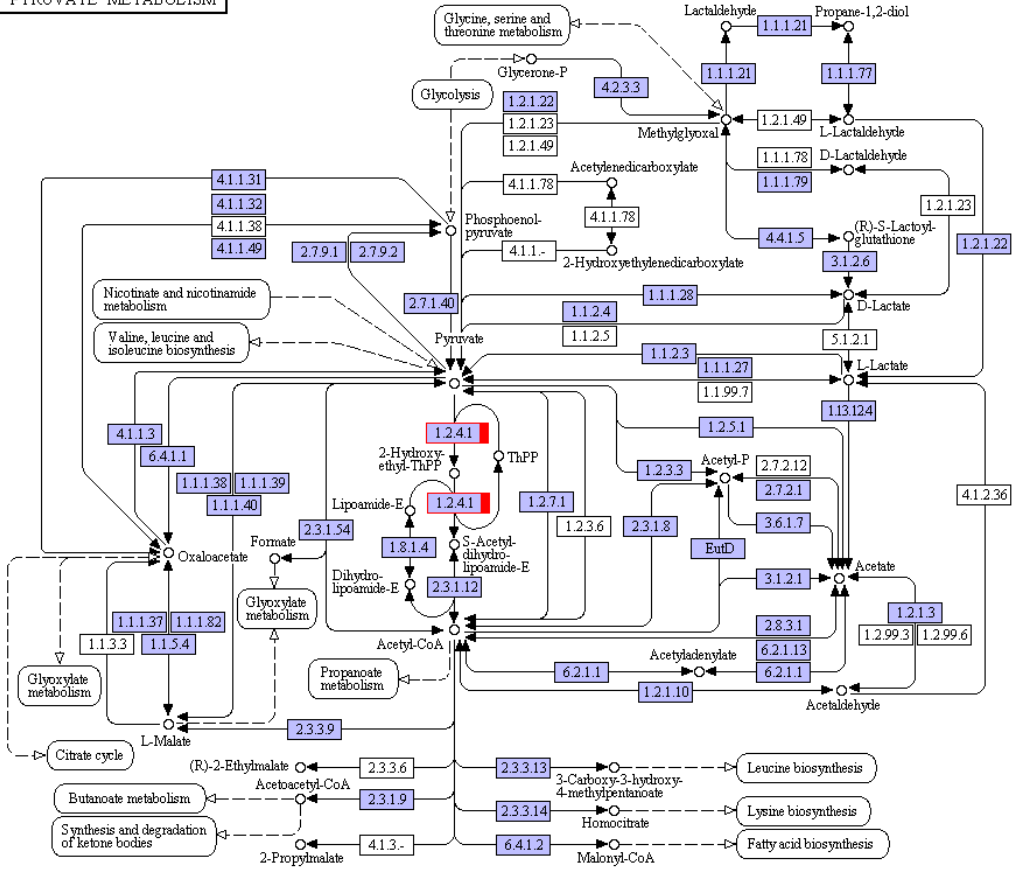
α-LINOLENIC ACID METABOLISM



00592 3/22/11
(c) Kanehisa Laboratories

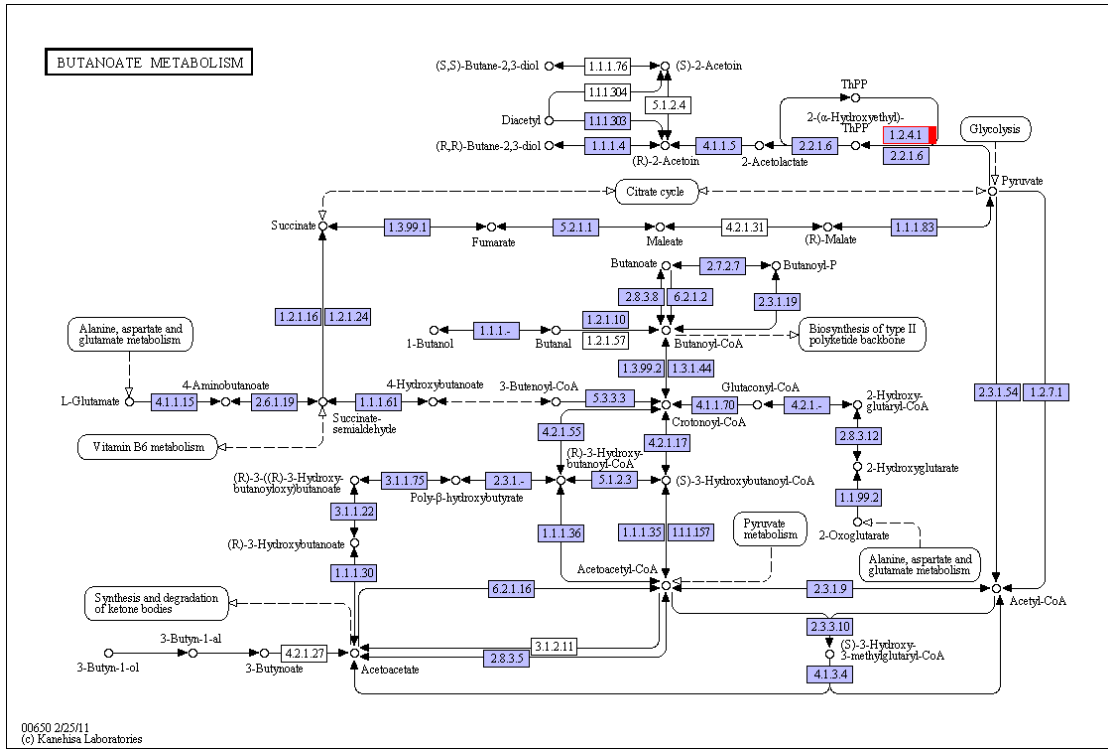
Ko00592

PYRUVATE METABOLISM

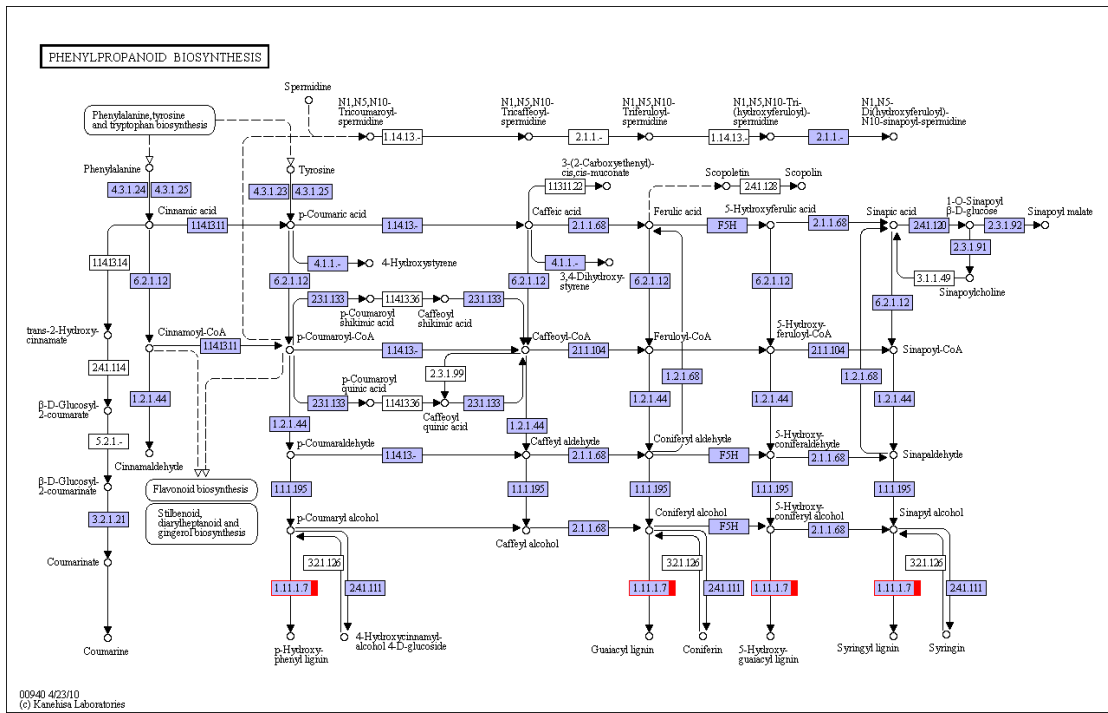


00620 1/25/11
 (c) Kanehisa Laboratories

Ko00620

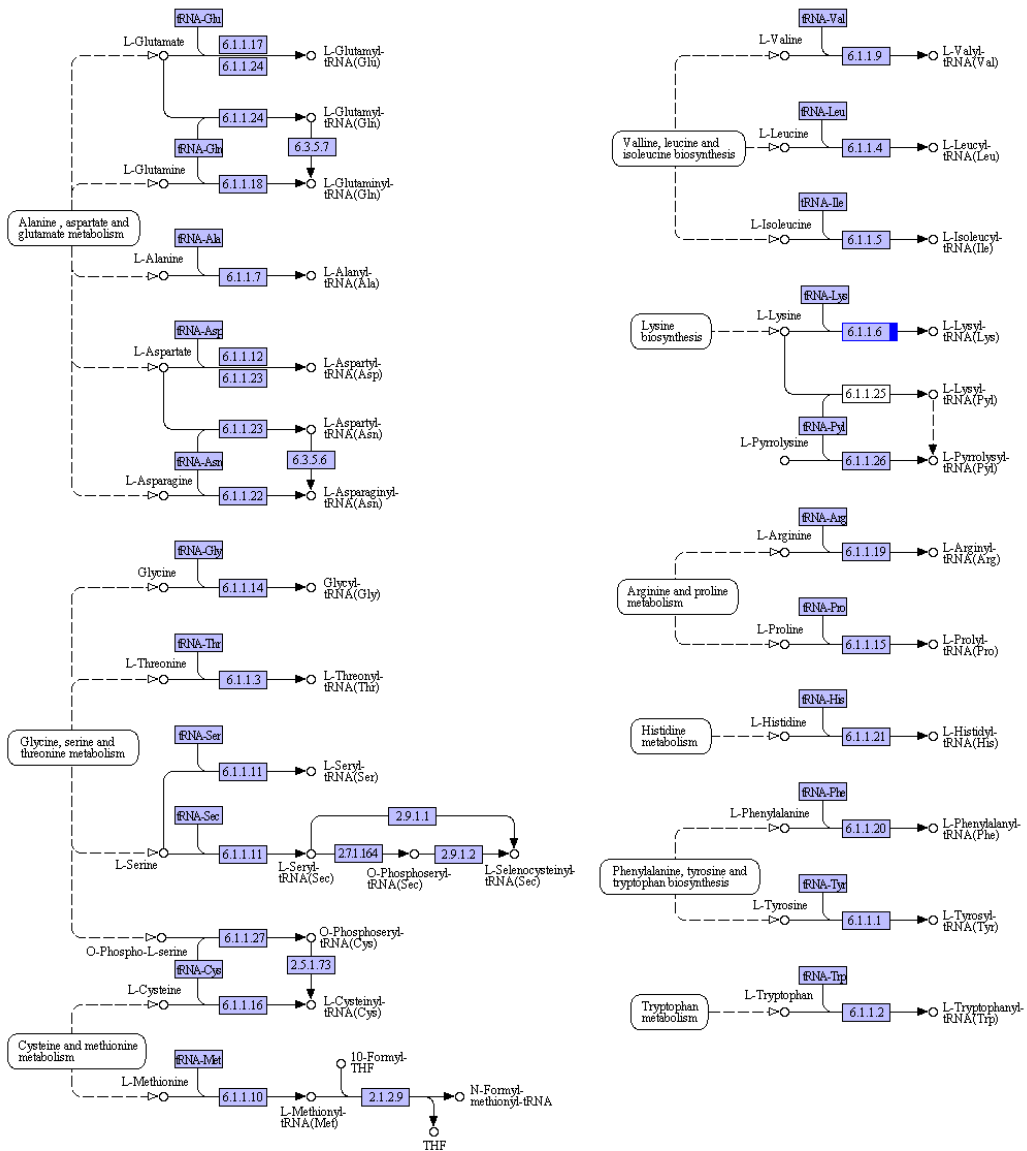


Ko00650



Ko00940

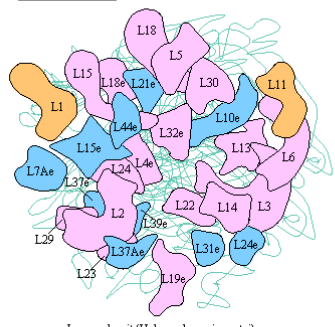
AMINOACYL-tRNA BIOSYNTHESIS



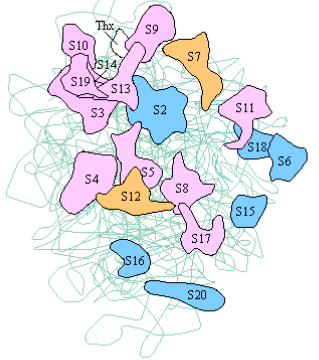
00970 12/2/10
 (c) Kanehisa Laboratories

Ko00970

RIBOSOME



Large subunit (*Haloarcula marismortui*)

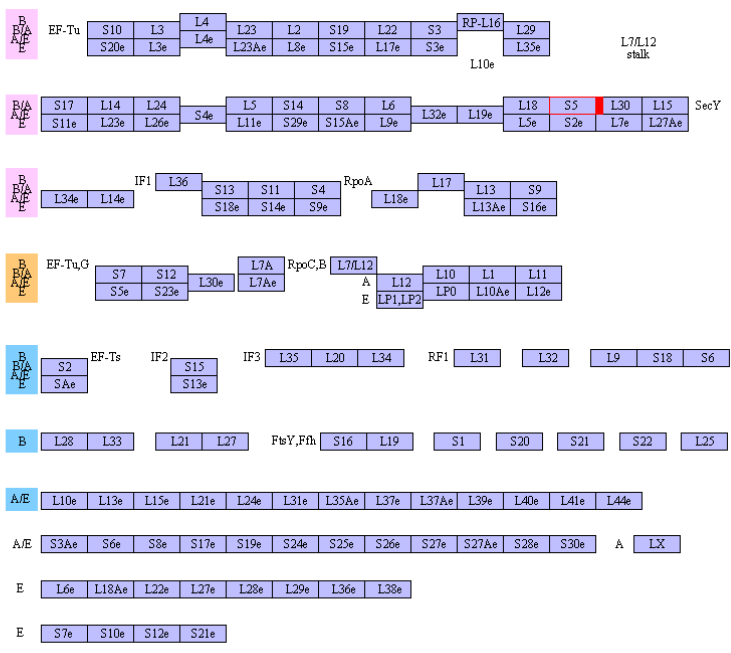


Small subunit (*Thermus aquaticus*)

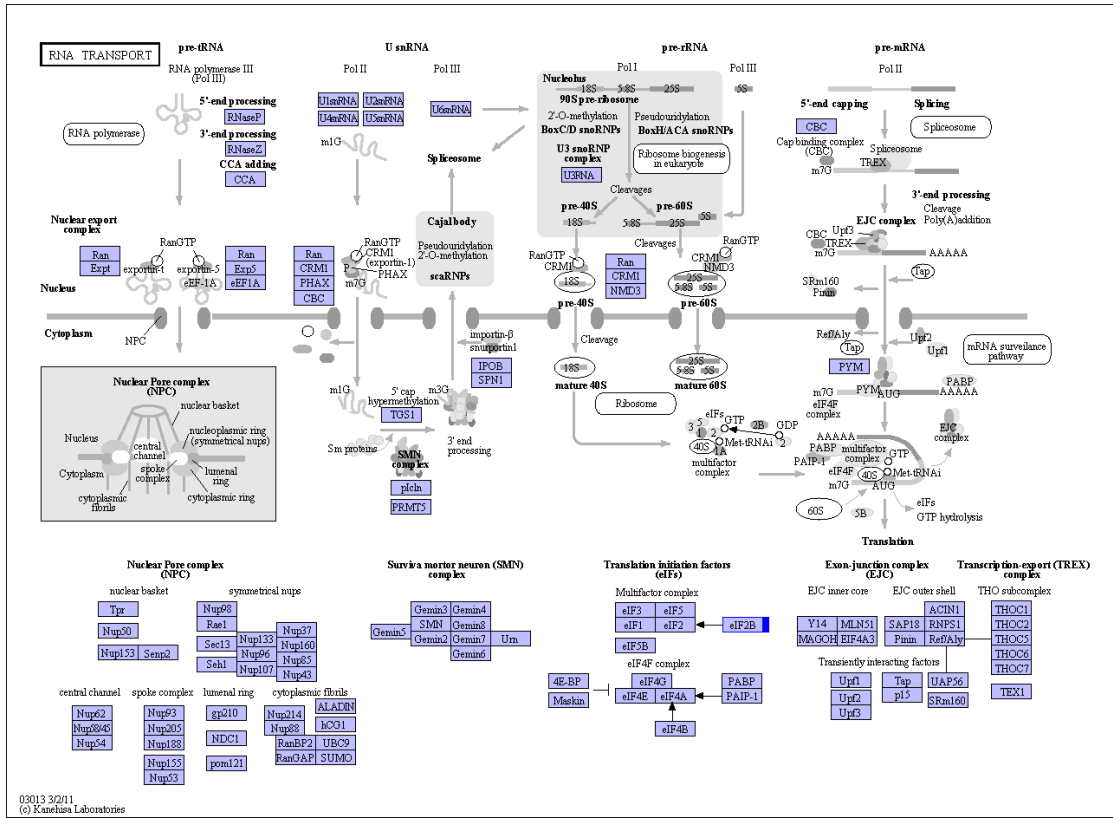
Ribosomal RNAs

Bacteria / Archaea	23S	5S	16S	
Eukaryotes	25S	5S	5.8S	18S

Ribosomal proteins

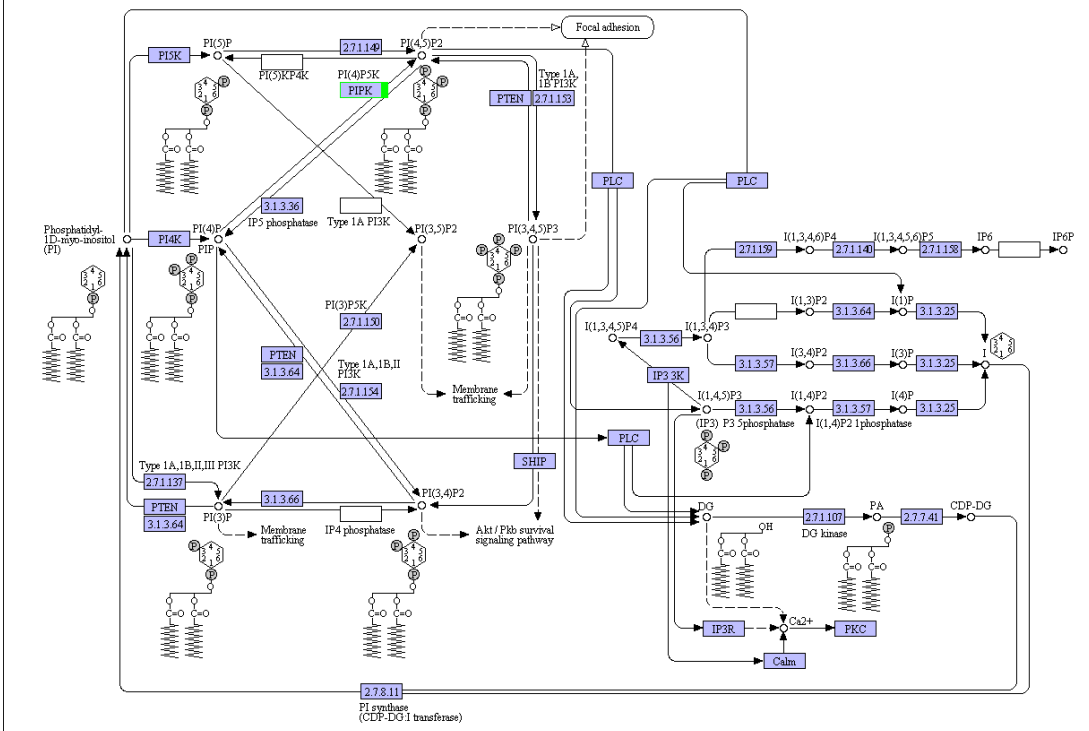


03010 11/29/10
© Kanehisa Laboratories



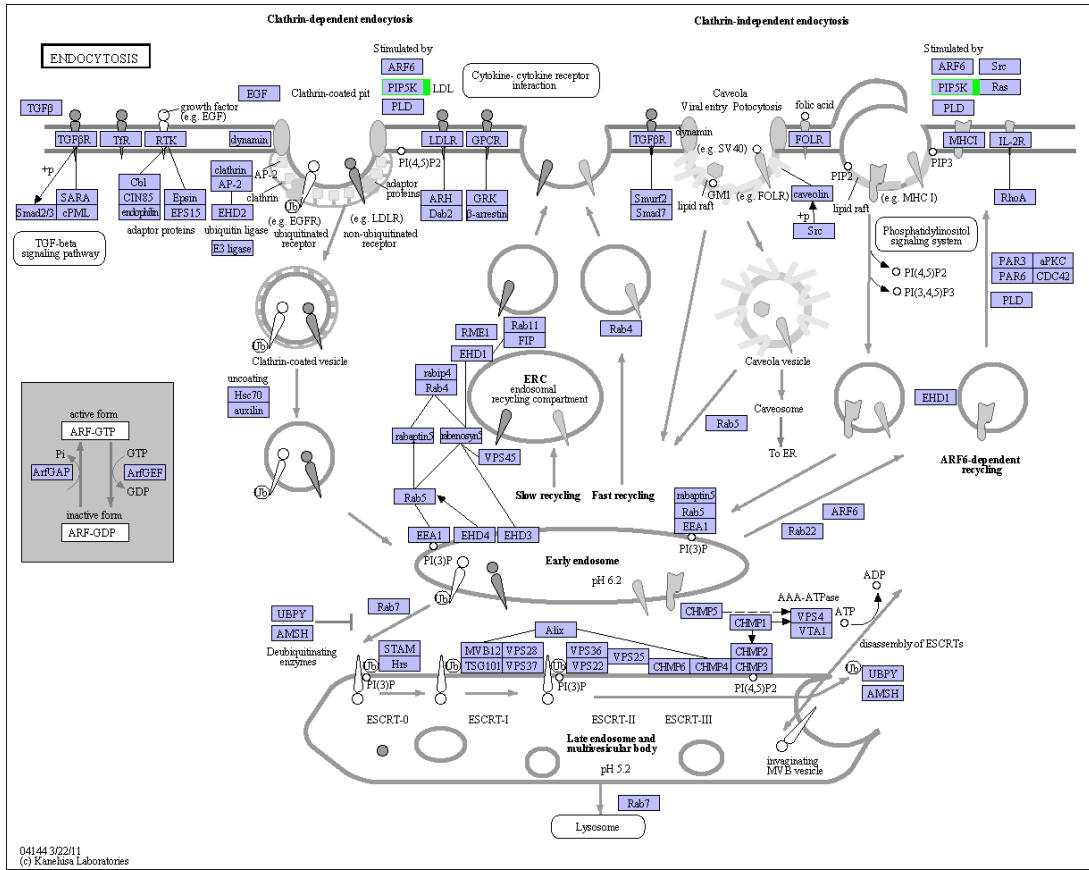
Ko03013

PHOSPHATIDYLINOSITOL SIGNALING SYSTEM



04070 11/11/10
© Kanehisa Laboratories

Ko04070



Ko04144