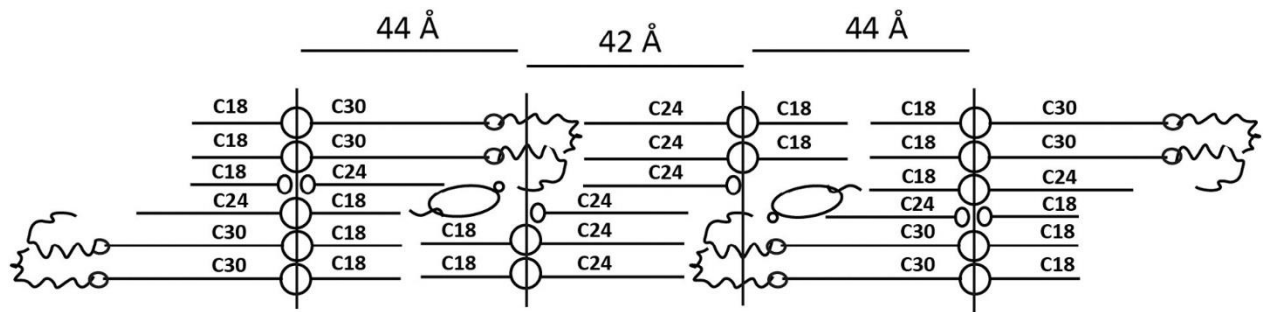


The preferential arrangement of lipids in the long periodicity phase stratum corneum matrix model

C.M. Beddoes¹, G.S. Gooris¹, J.A. Bouwstra^{1*}



Supplemental Figure S1 The proposed molecular model of the LPP unit cell. Reprinted from [25], with permission from Elsevier.