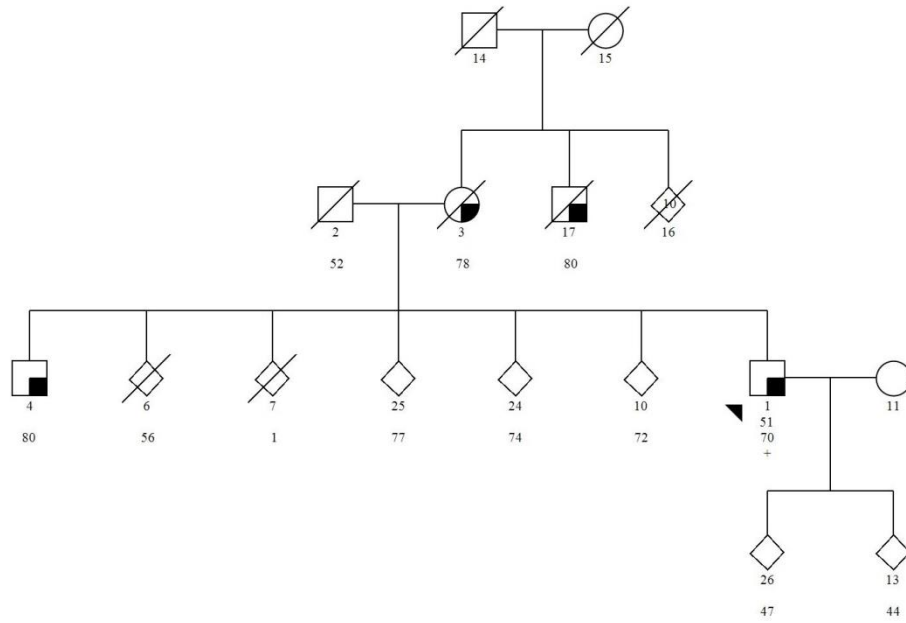
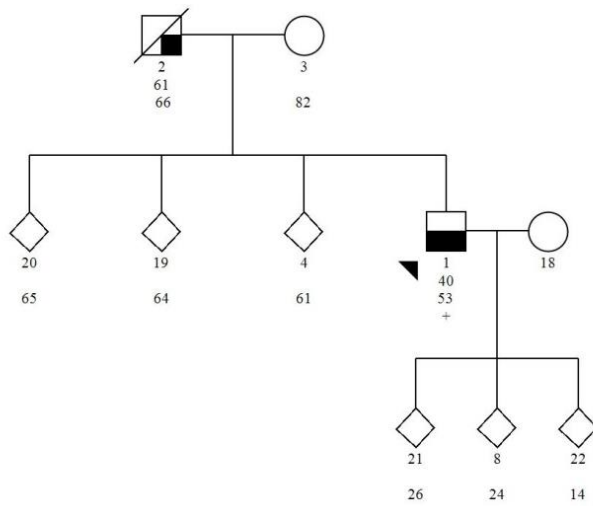


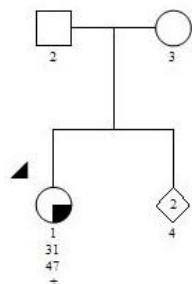
AUSSNCA01



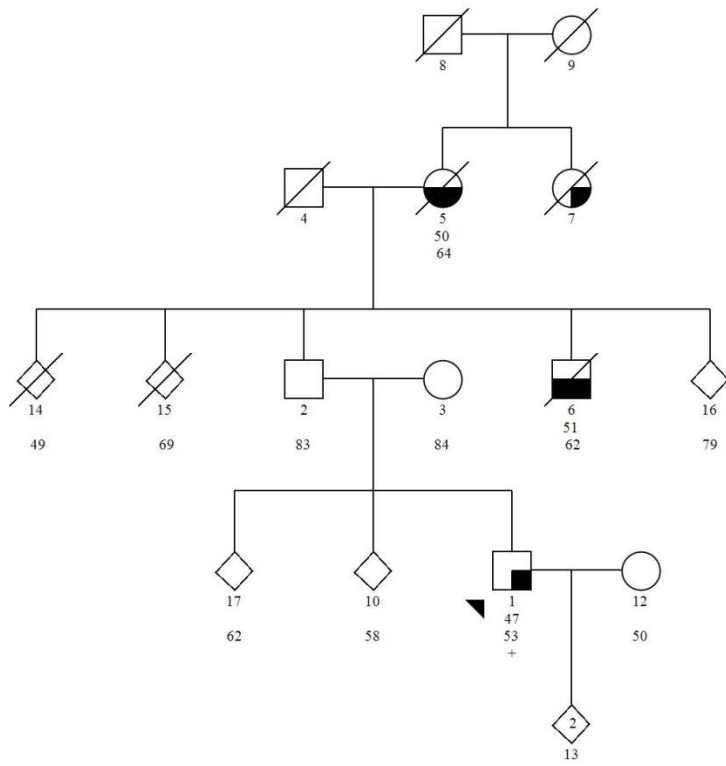
AUSSNCA02



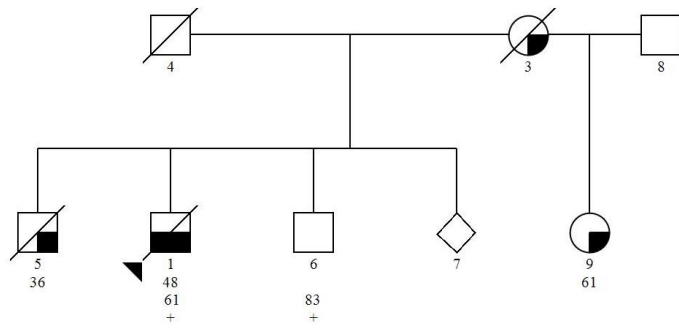
BELSNCA02



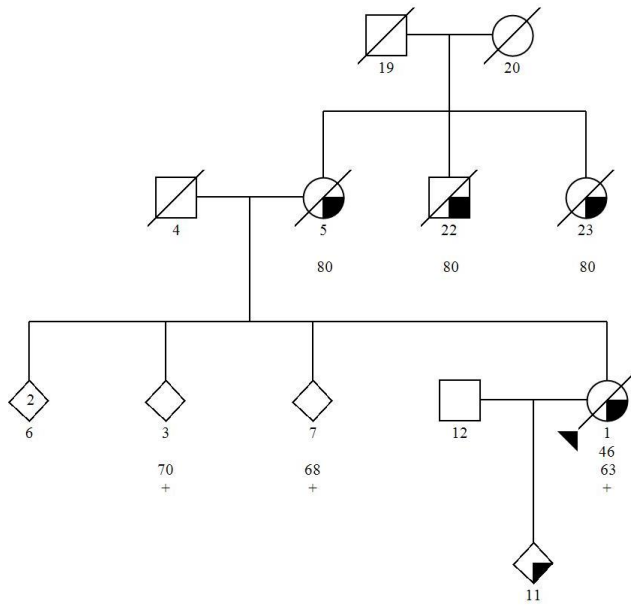
CANSNCA01



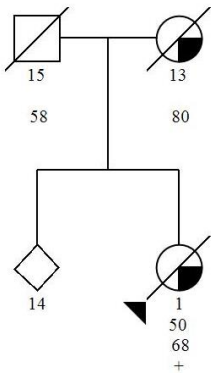
FRASNCA01



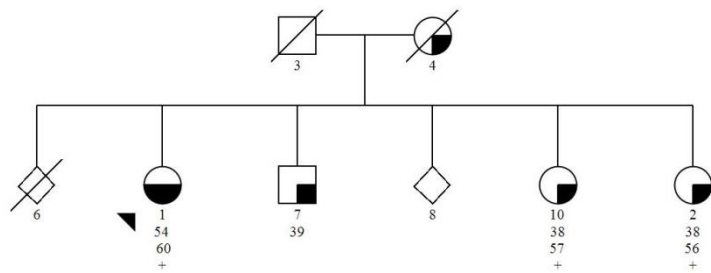
FRASNCA02



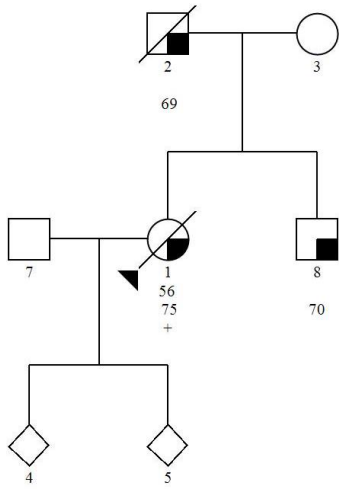
FRASNCA03



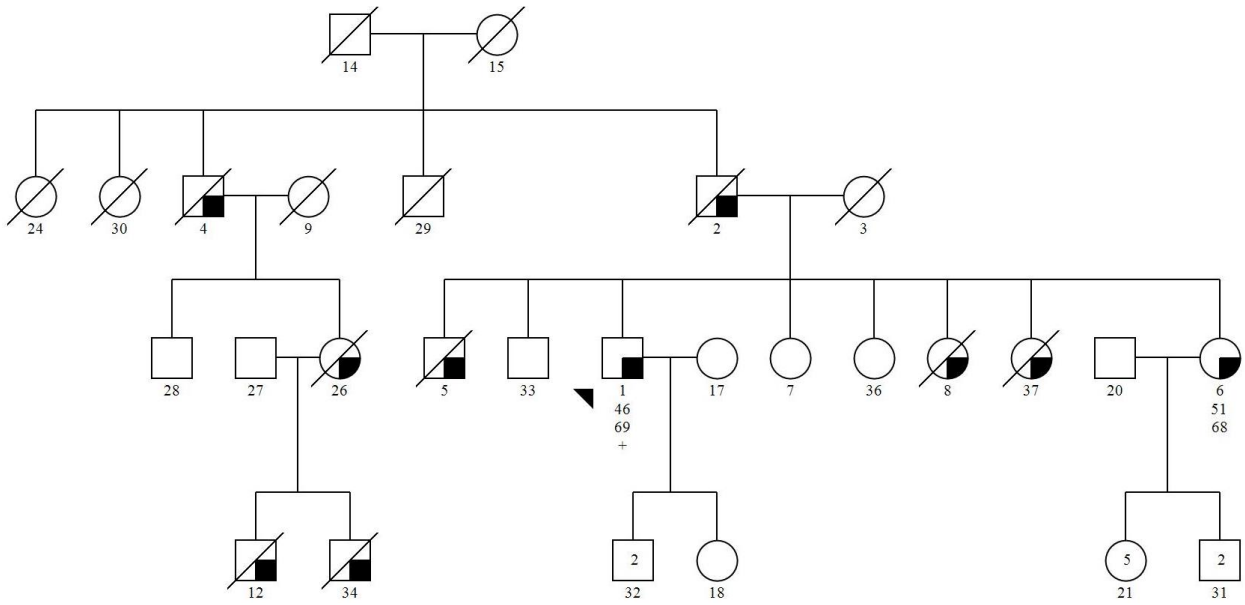
FRASNCA04



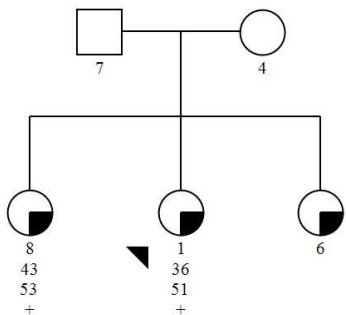
FRASNCA05



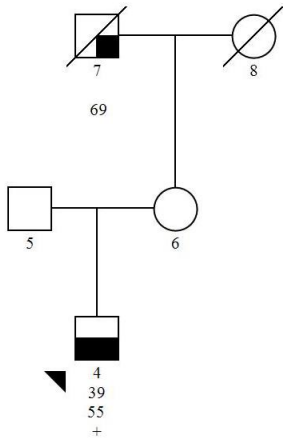
FRASNCA06



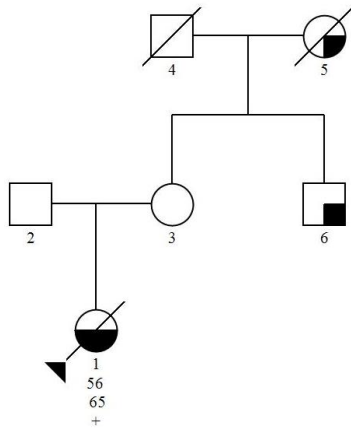
FRASNCA07



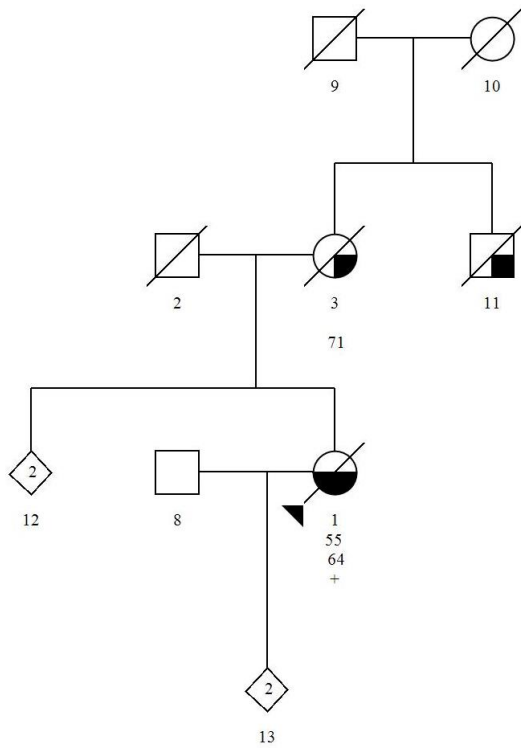
FRASNCA08



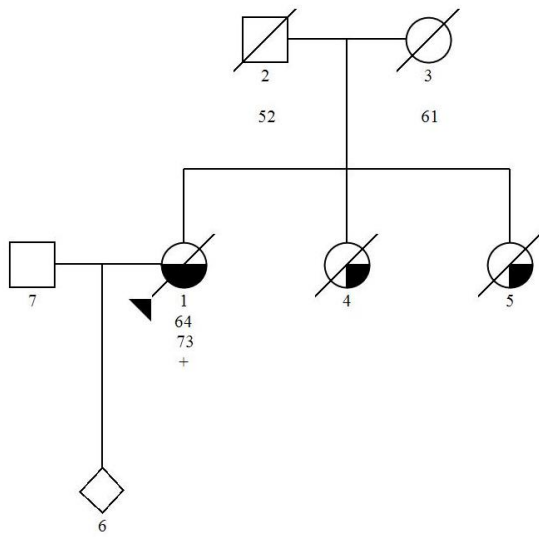
FRASNCA09



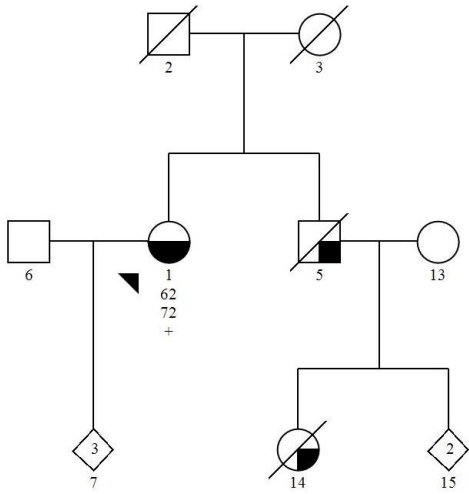
FRASNCA12



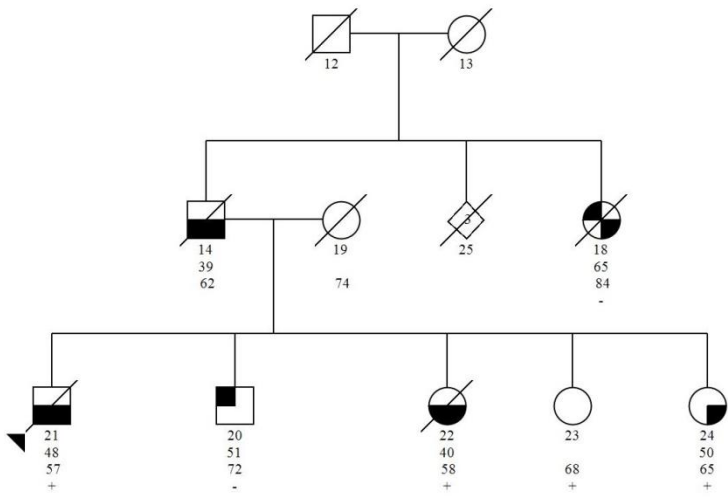
FRASNCA13



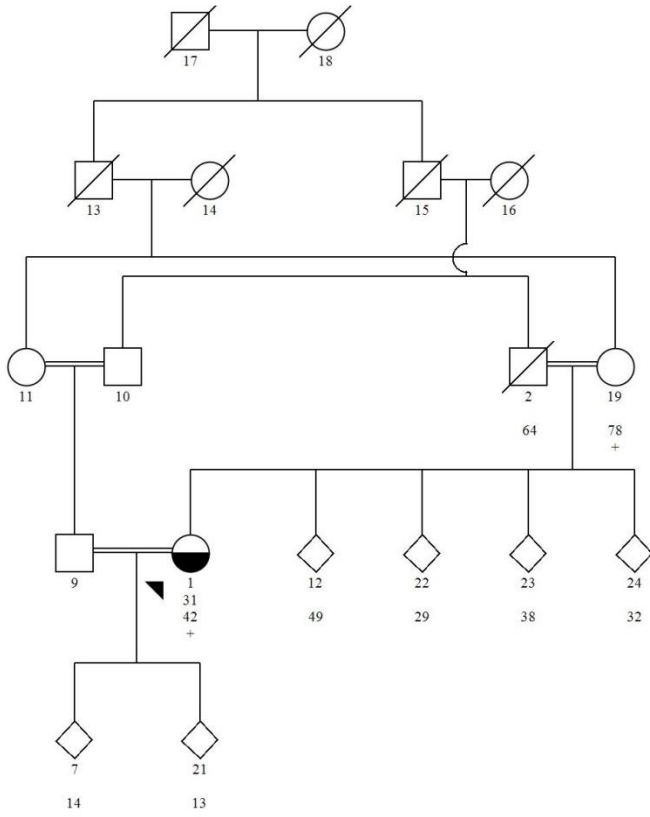
FRASNCA14



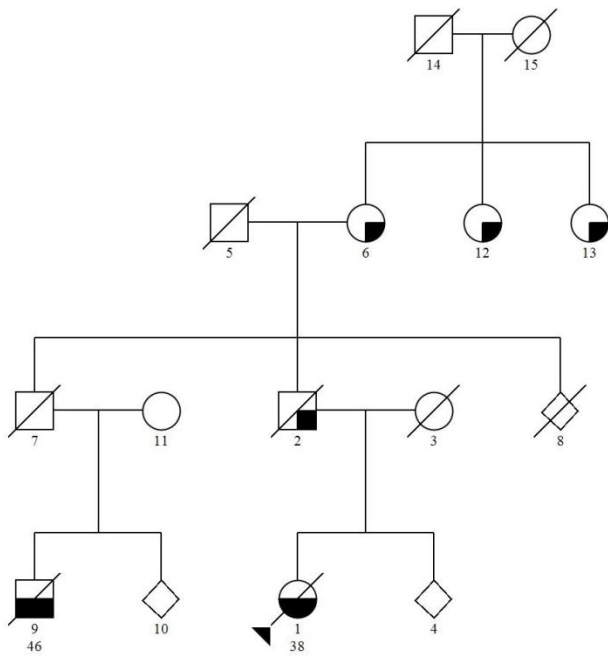
FRASNCA15



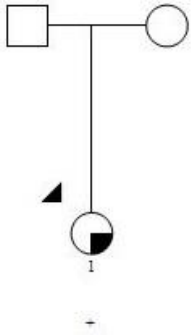
GBRSNCA01



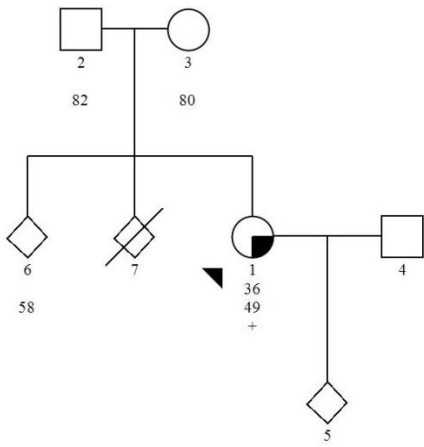
GBRSNCA02



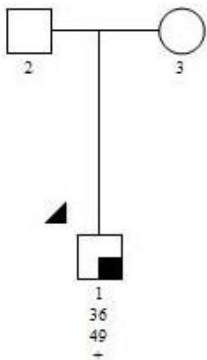
GBRSNCA06



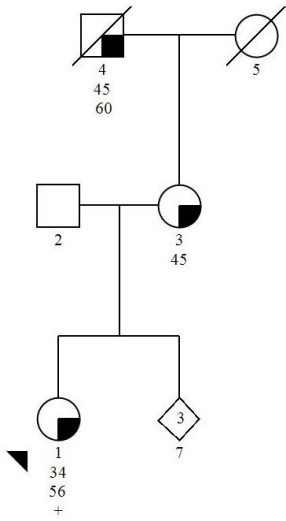
GERSNCA01



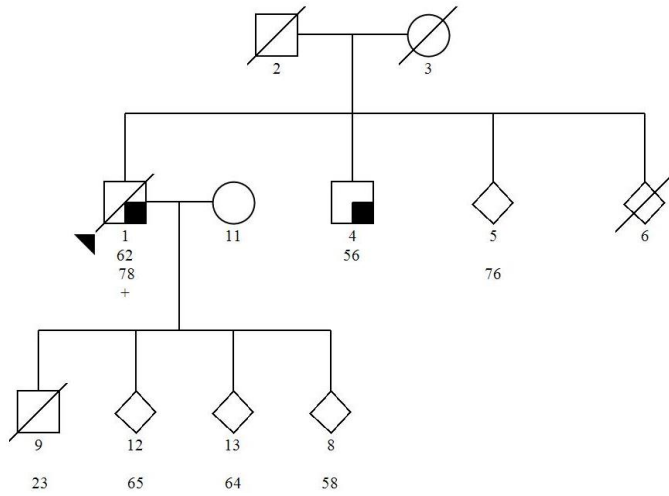
GERSNCA02



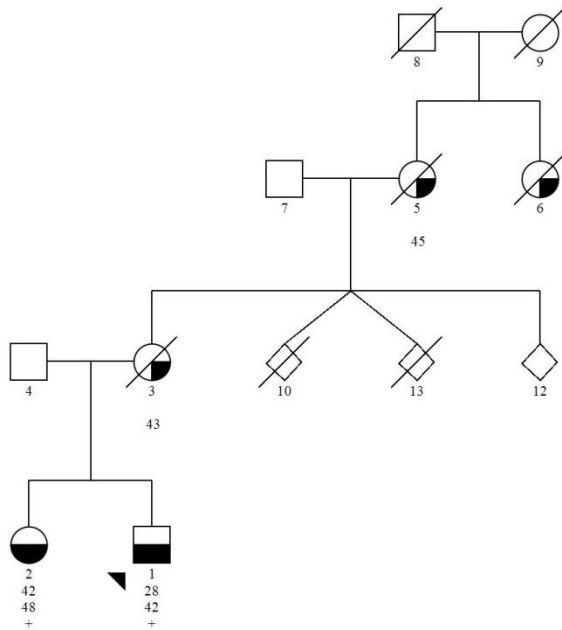
GERSNCA03



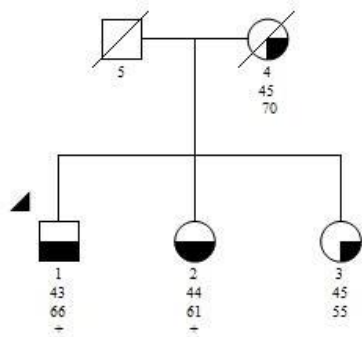
GERSNCA04



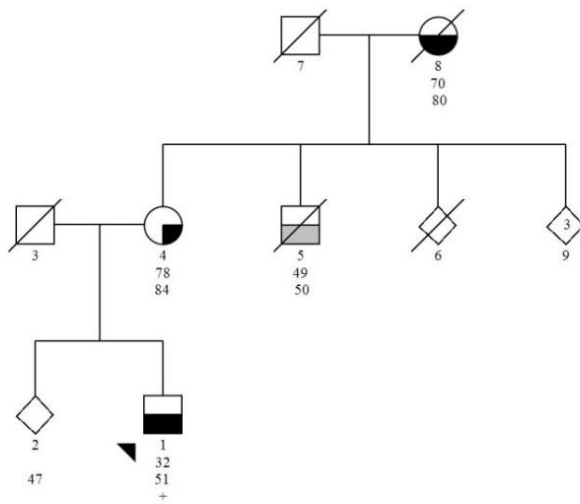
ITASNCA01



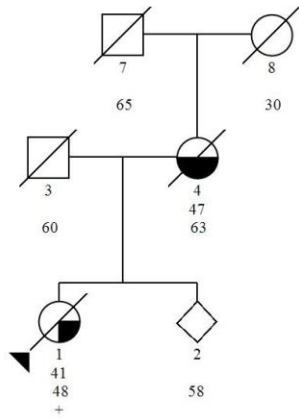
ITASNCA02



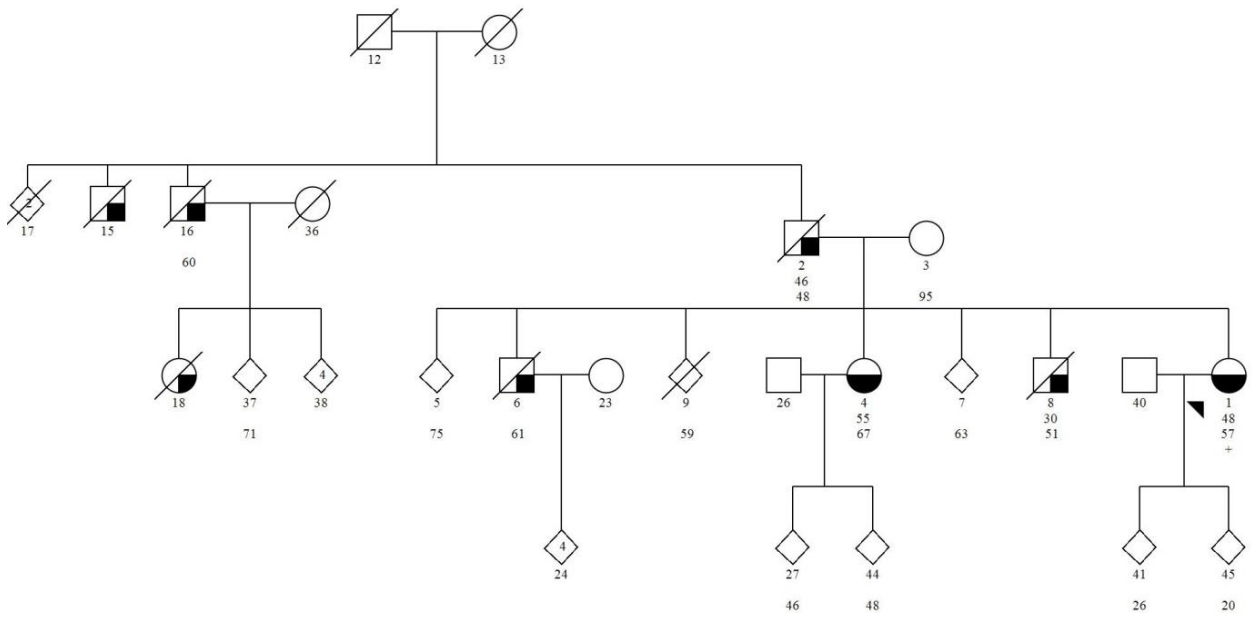
ITASNCA03



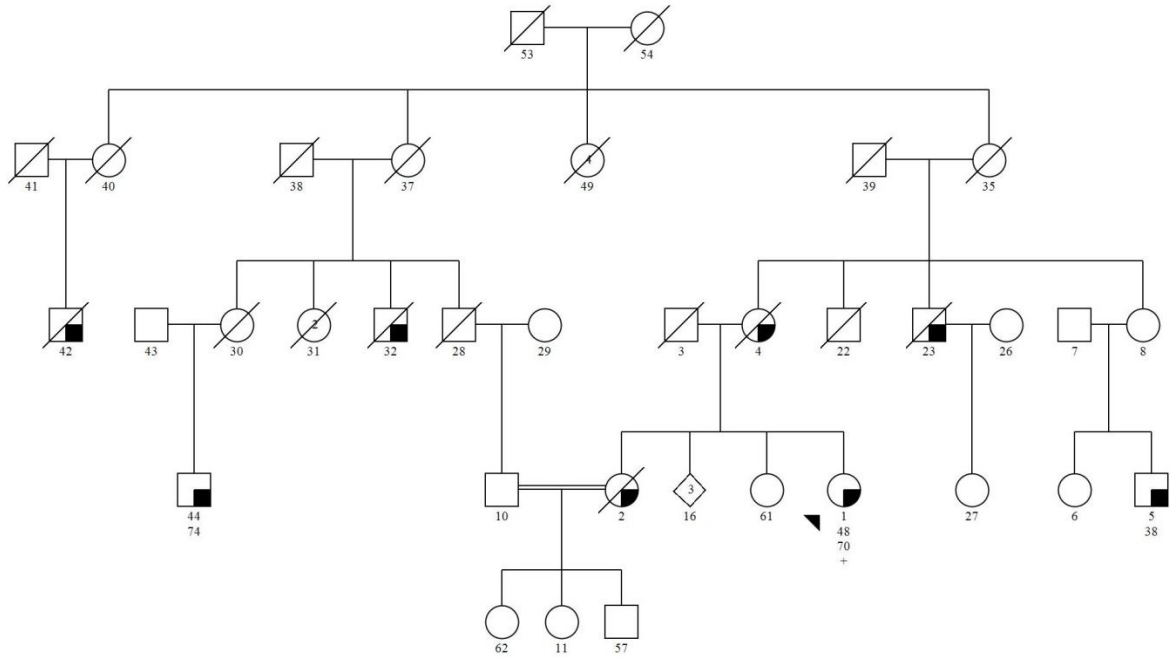
ITASNCA04



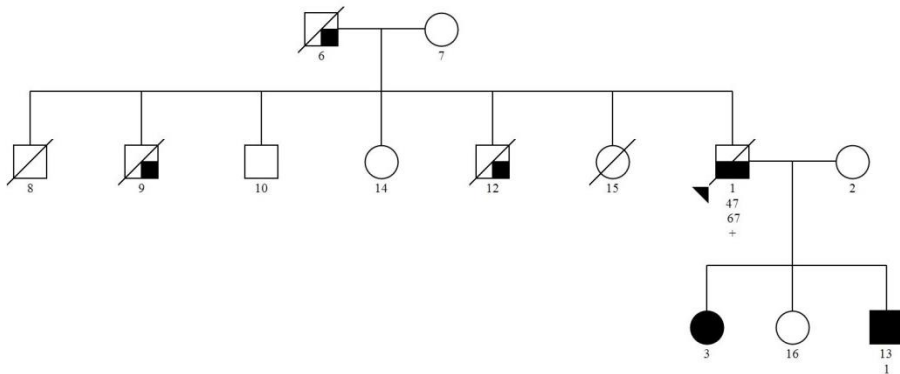
ITASNCA05



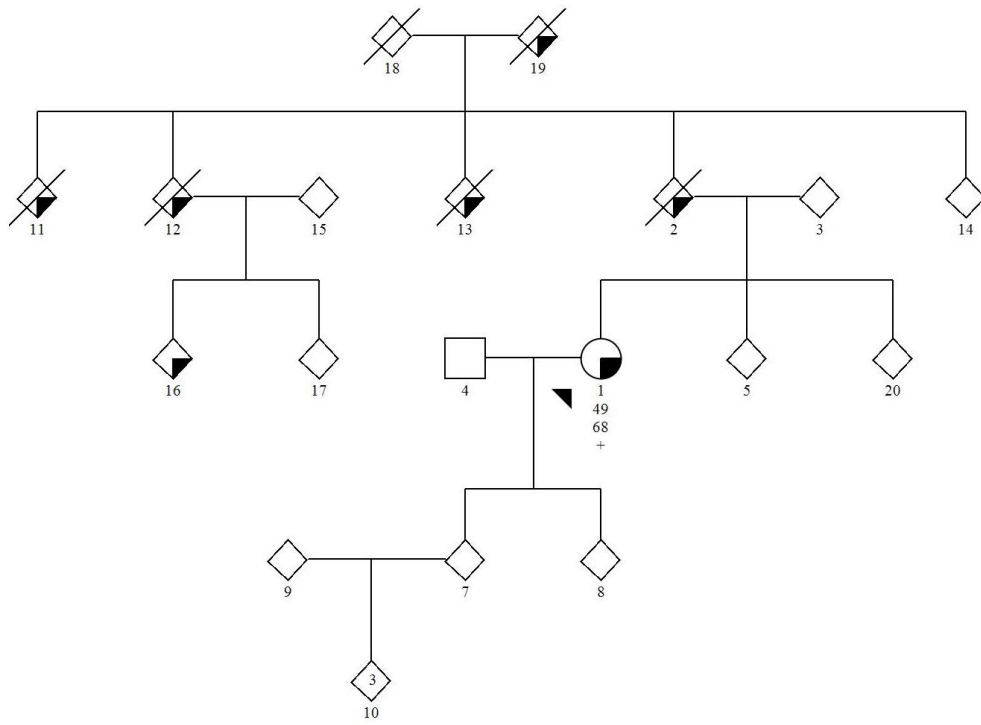
JPNSNCA01



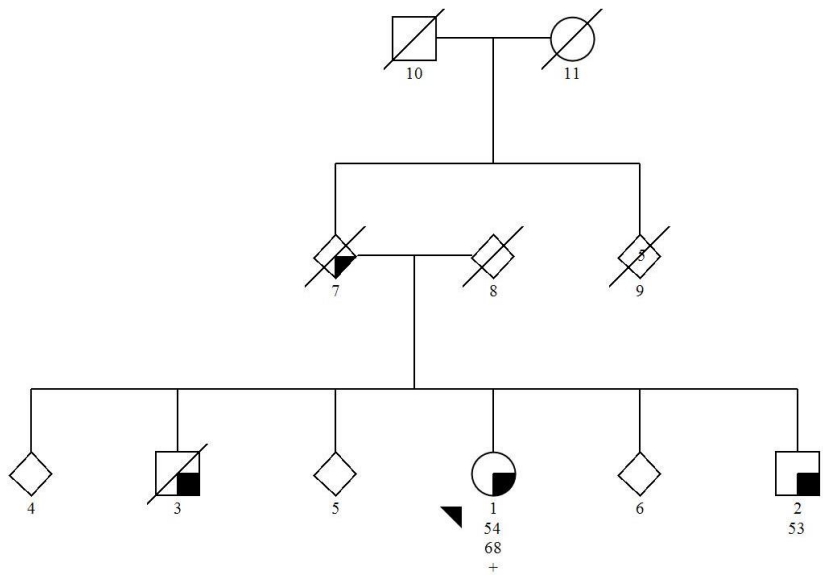
JPNSNCA02



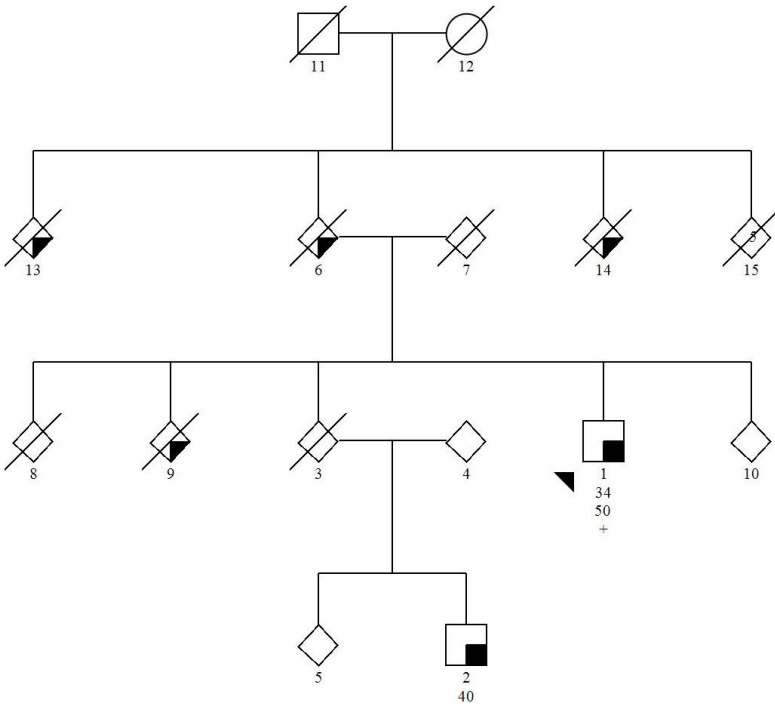
JPNSNCA03



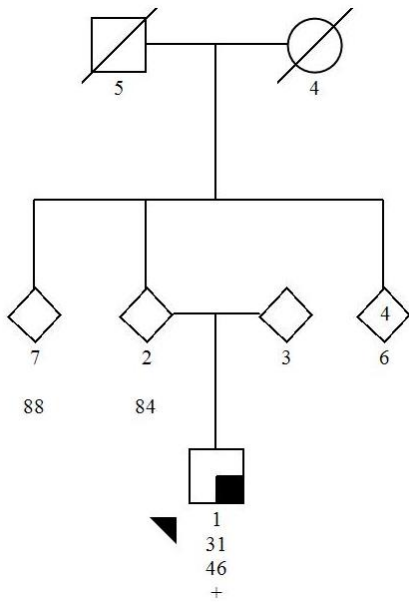
JPNSNCA05



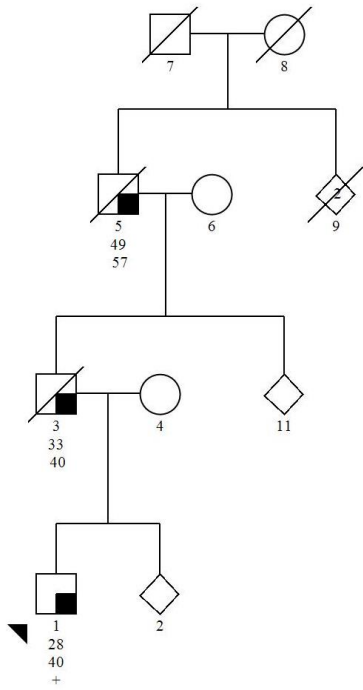
JPNSNCA06



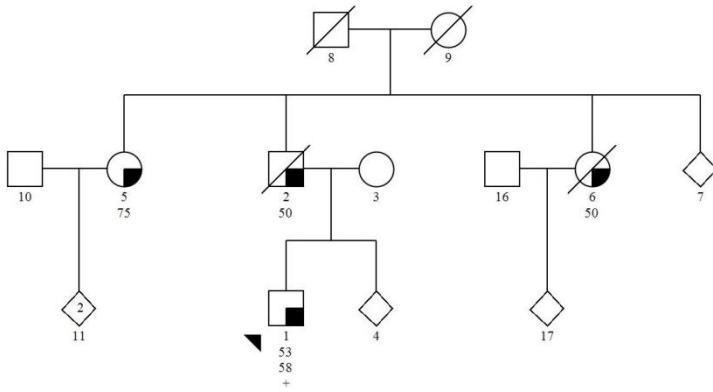
JPNSNCA07



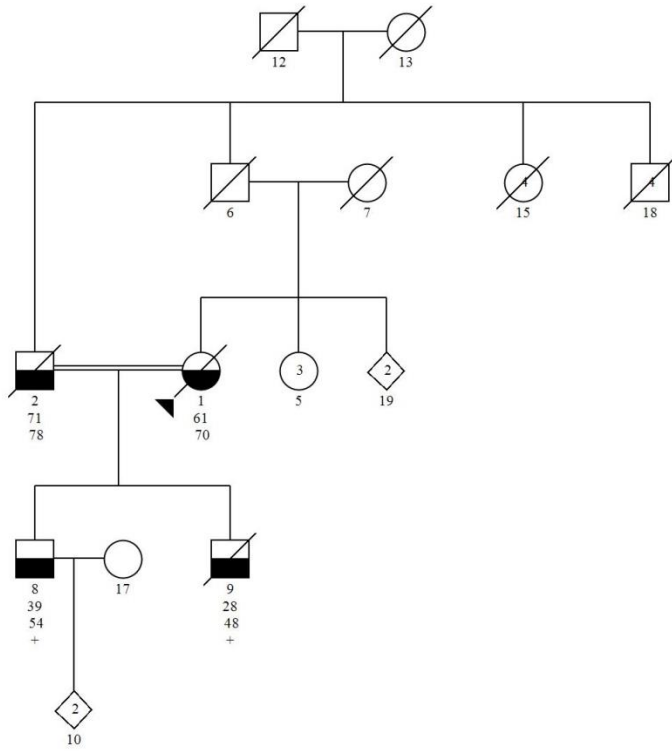
JPNSNCA08



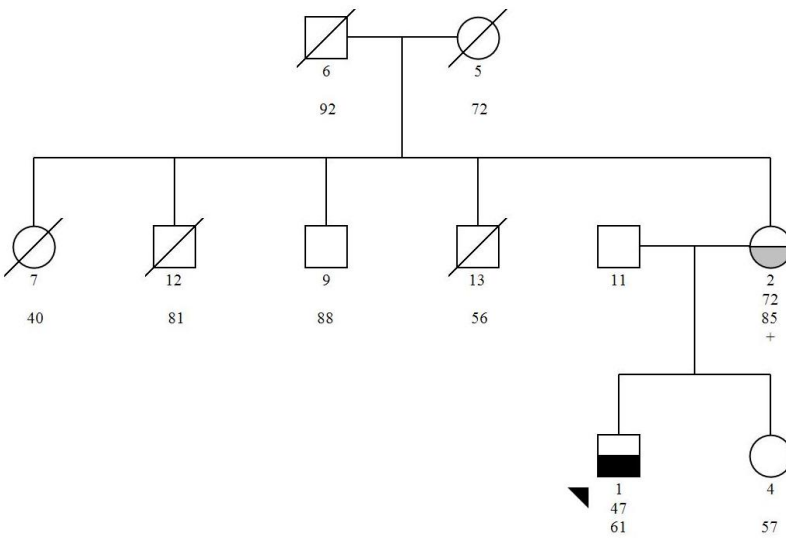
JPNSNCA10



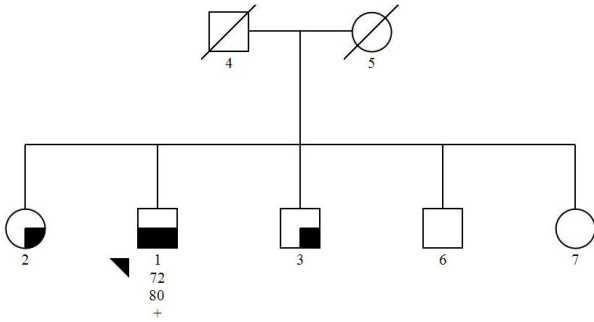
JPNSNCA11



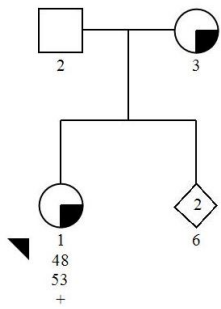
JPNSNCA12



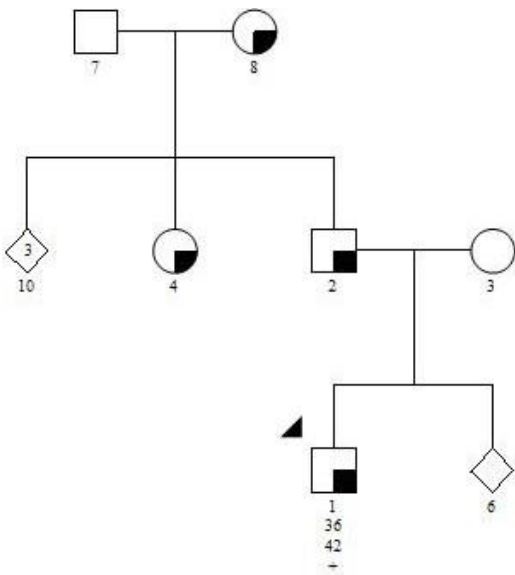
JPNSNCA14



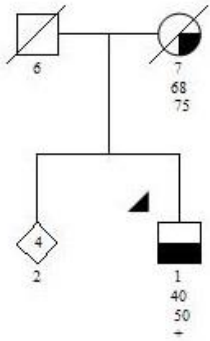
JPNSNCA15



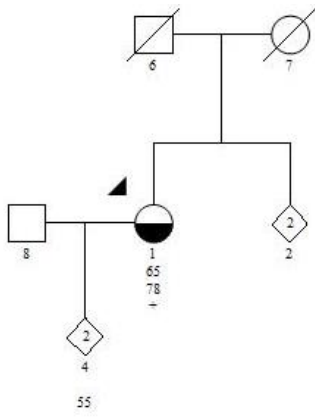
JPNSNCA16



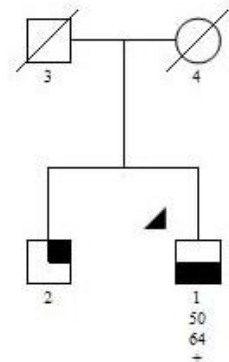
KORSNCA01



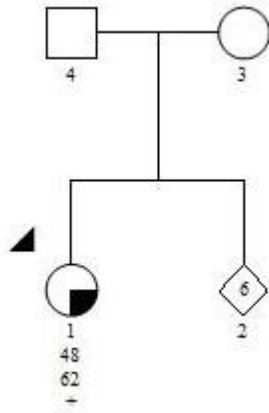
KORSNCA02



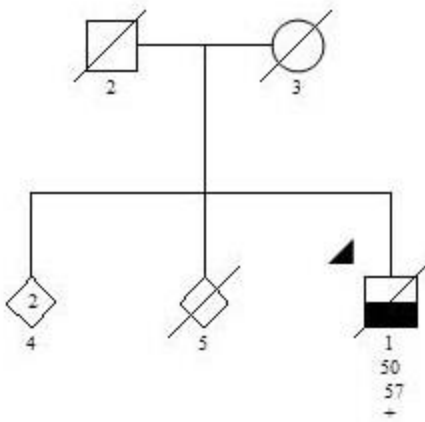
KORSNCA03



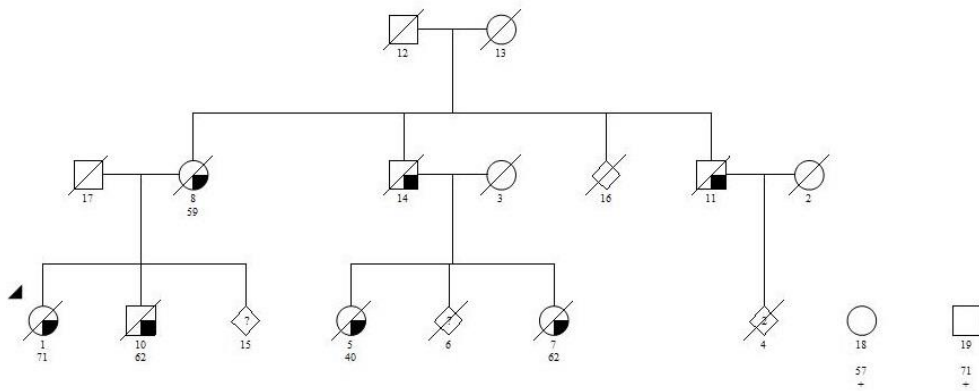
KORSNCA04



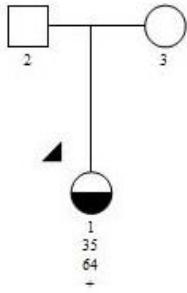
KORSNCA06



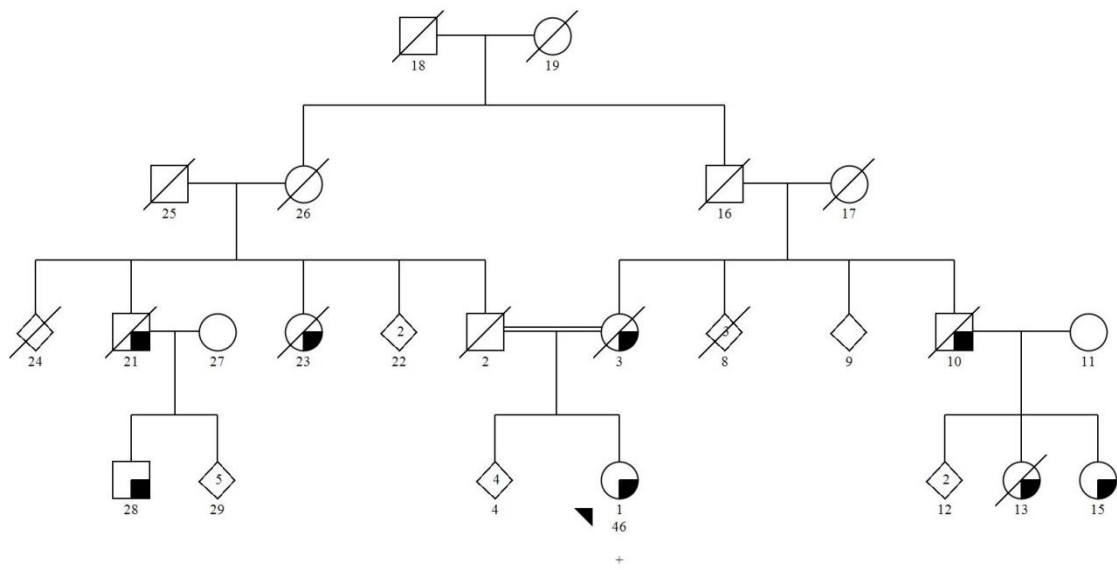
SWESNCA01



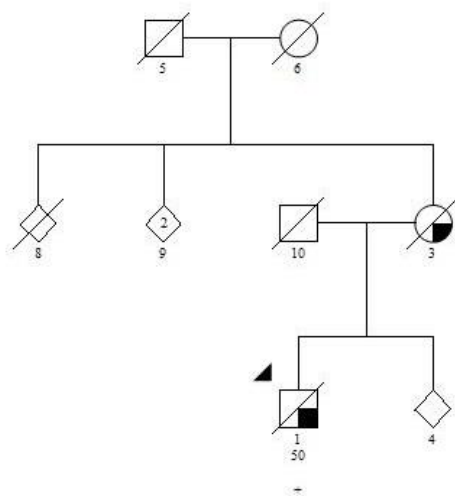
TUNSNCA01



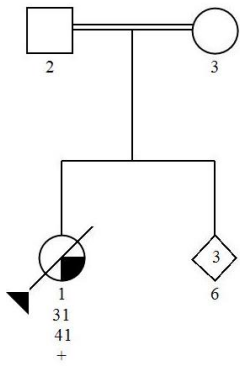
TURSNCA01



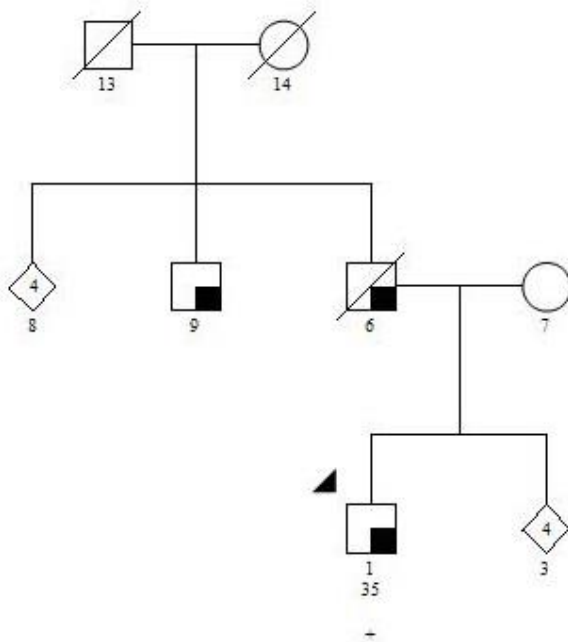
TURSNCA02



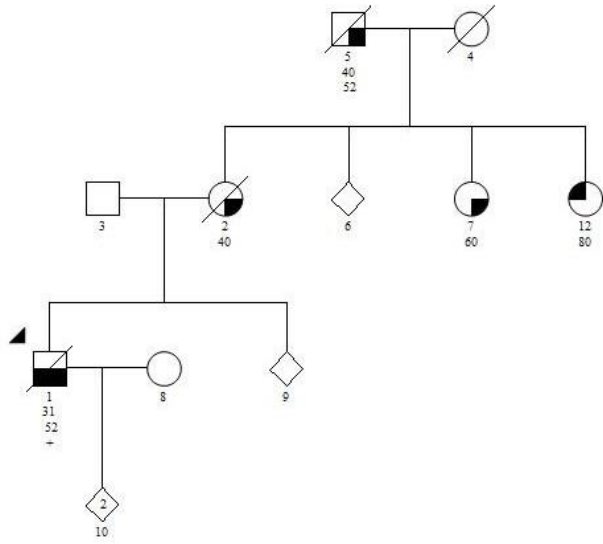
TURSNCA03



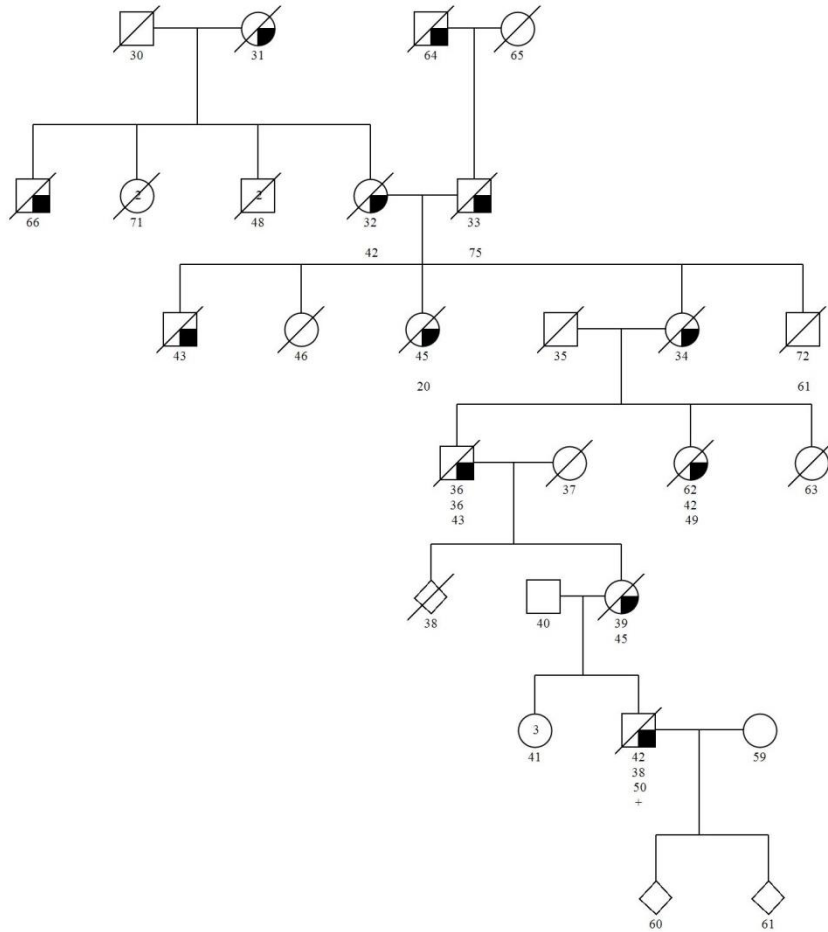
TURSNCA04



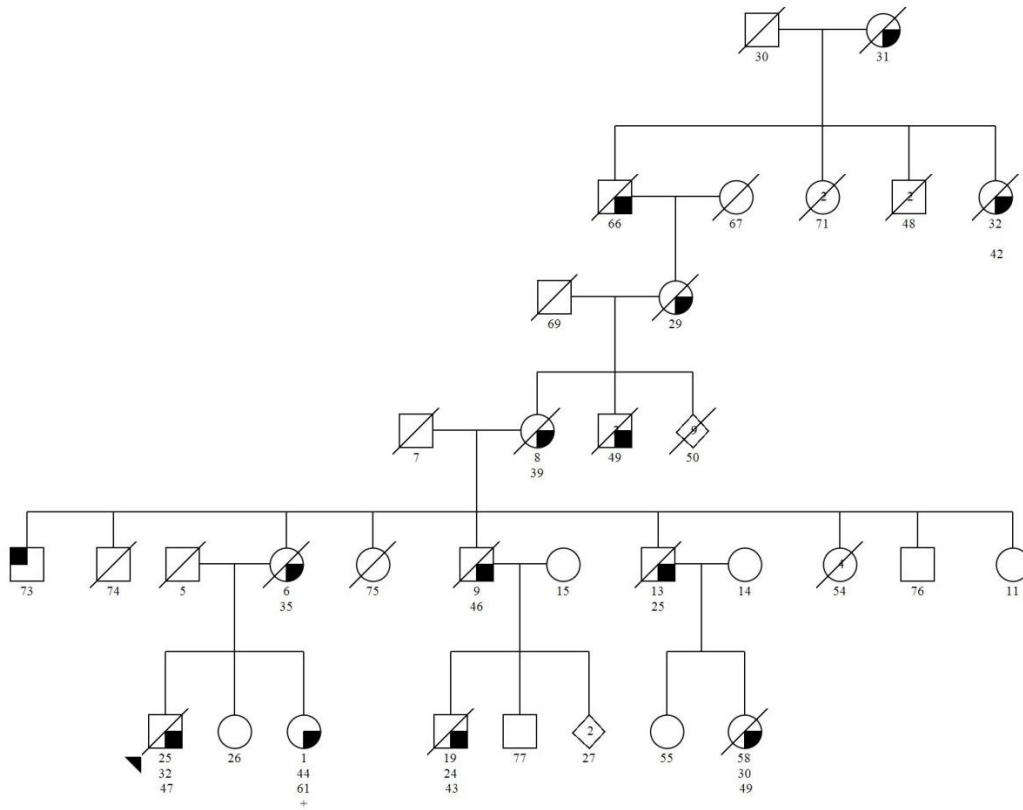
USASNCA01



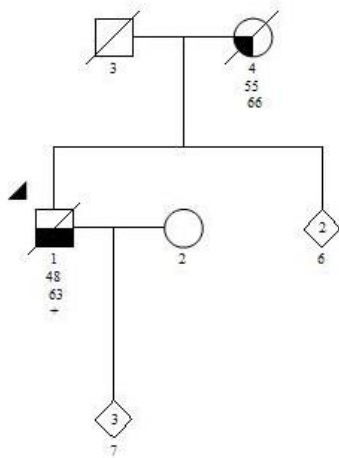
USASNCA02a



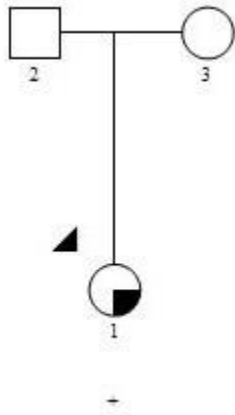
USASNCA02b



USASNCA03



USASNCA04



ZAFSNCA01

