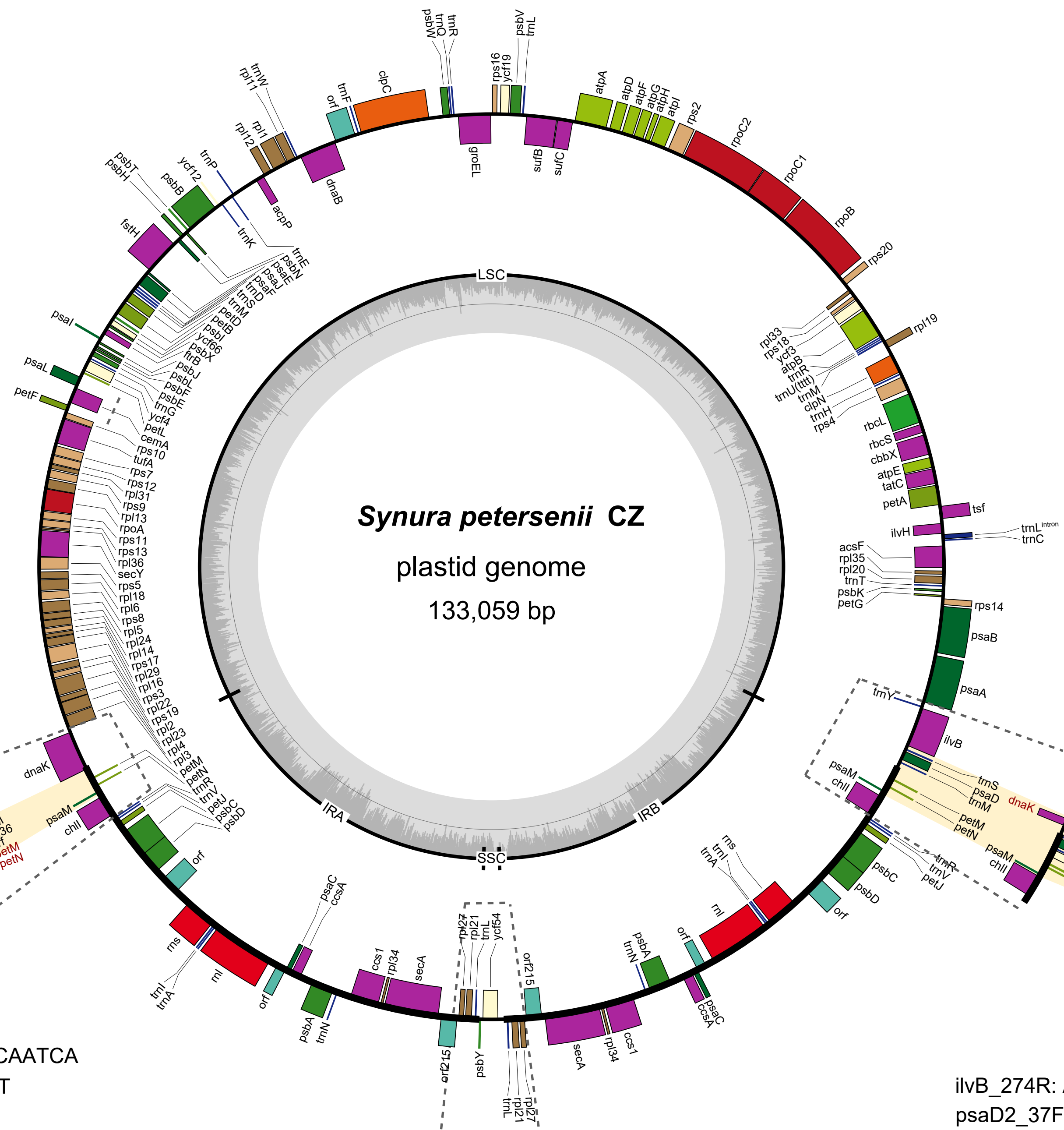


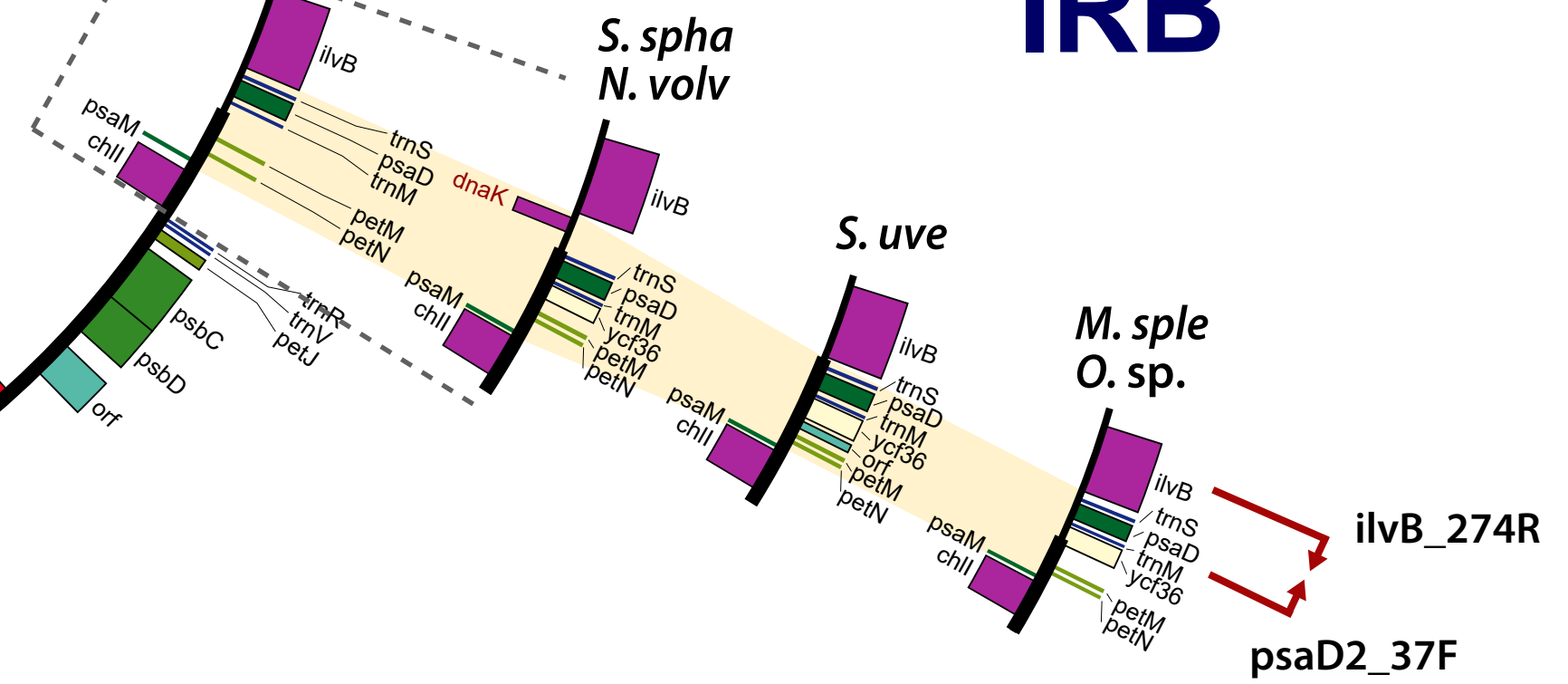
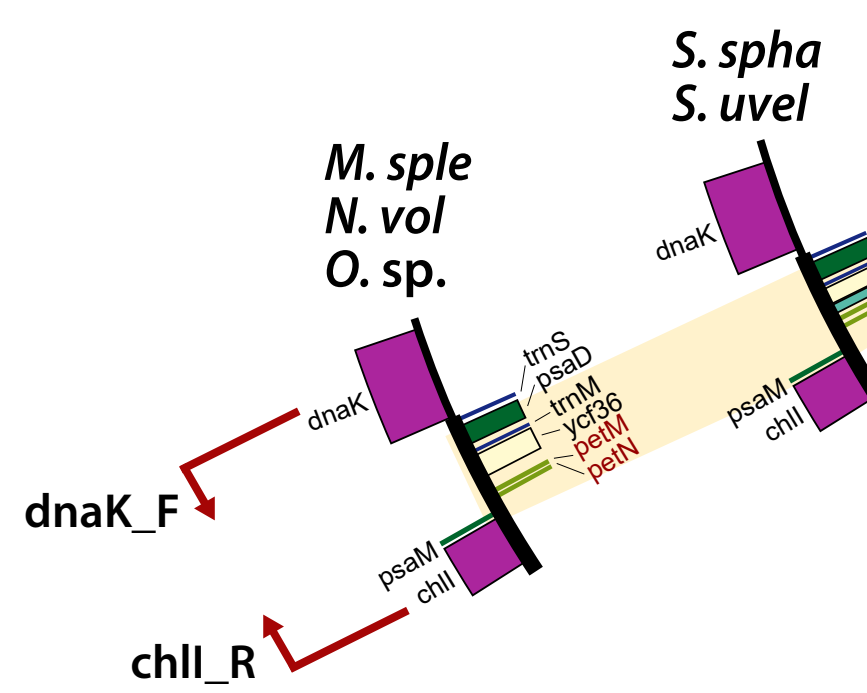
# The Primer Sequences for Gap Filling



**IRA**

**IRB**

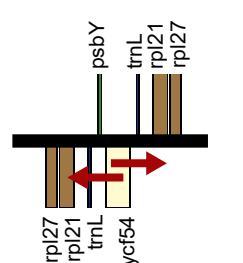
**SSC**



dnaK\_F: CGTGAAGAAAAACAGGTCAAGAACAATCA  
chlI\_R: TCCTGTTCTCGATCTCCCATAATCAT

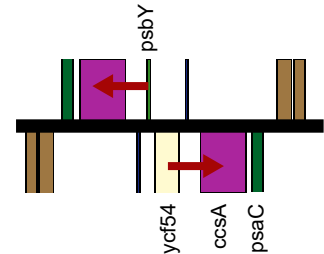
ilvB\_274R: ATTTGTDGCTCCVGGHCCWGAWGTMGCAA  
psaD2\_37F: GSYGGAAGTACWGGDGGWTGGYTAS

*Synura petersenii*  
*Synura sphagnicola*  
*Mallomonas splendens*  
*Neotessella volvocina*



rpl21F: ACACGRGTATACGGTTGTCTATGACCA  
ycf54R: AGGTAACACTTCGATACATGGGT  
ycf54F: GCATTTGCTTGACCATAAATCCCATCA

*Synura uvella*



psbY\_F: AATTGCAGCTTCTTGGGCACTTTA  
ccsA\_R: CCCAACTGCCCTGAGATTATTCCTA  
ycf54F: GCATTTGCTTGACCATAAATCCCATCA