

Supporting Information

Preparation of Molecularly Imprinted Microspheres as Biomimetic Recognition Material for In Situ Adsorption and Selective Chemiluminescence Determination of Bisphenol A

Yan Xiong ^{1,2,*}, Qing Wang ¹, Ming Duan ^{1,2,*}, Jing Xu ³, Jie Chen ¹ and Shenwen Fang ^{1,2}

¹ School of Chemistry and Chemical Engineering, Southwest Petroleum University, Chengdu 610500, China; qwang@163.com (Q.W.); jiechen92@163.com (J.C.); swhen@163.com (S.F.)

² Oil and Gas Field Applied Chemistry Key Laboratory of Sichuan Province, Southwest Petroleum University, Chengdu 610500, China

³ Liaoning Entry-Exit Inspection and Quarantine Bureau, Dalian 116001, China; jingxu99@163.com

* Correspondence: xiongyan207@163.com (Y.X.); mduan124@swpu.edu.cn (M.D.); Tel.: +86-28-83037346 (Y.X.)

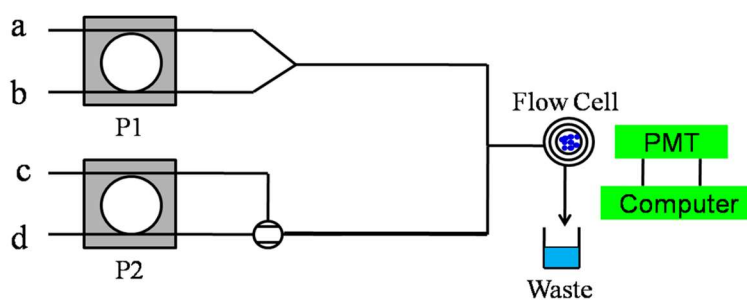


Figure S1. Chemiluminescence measurements flow system. a: Luminol ; b:KIO₄; c:NaOH; d:BPA/H₂O.

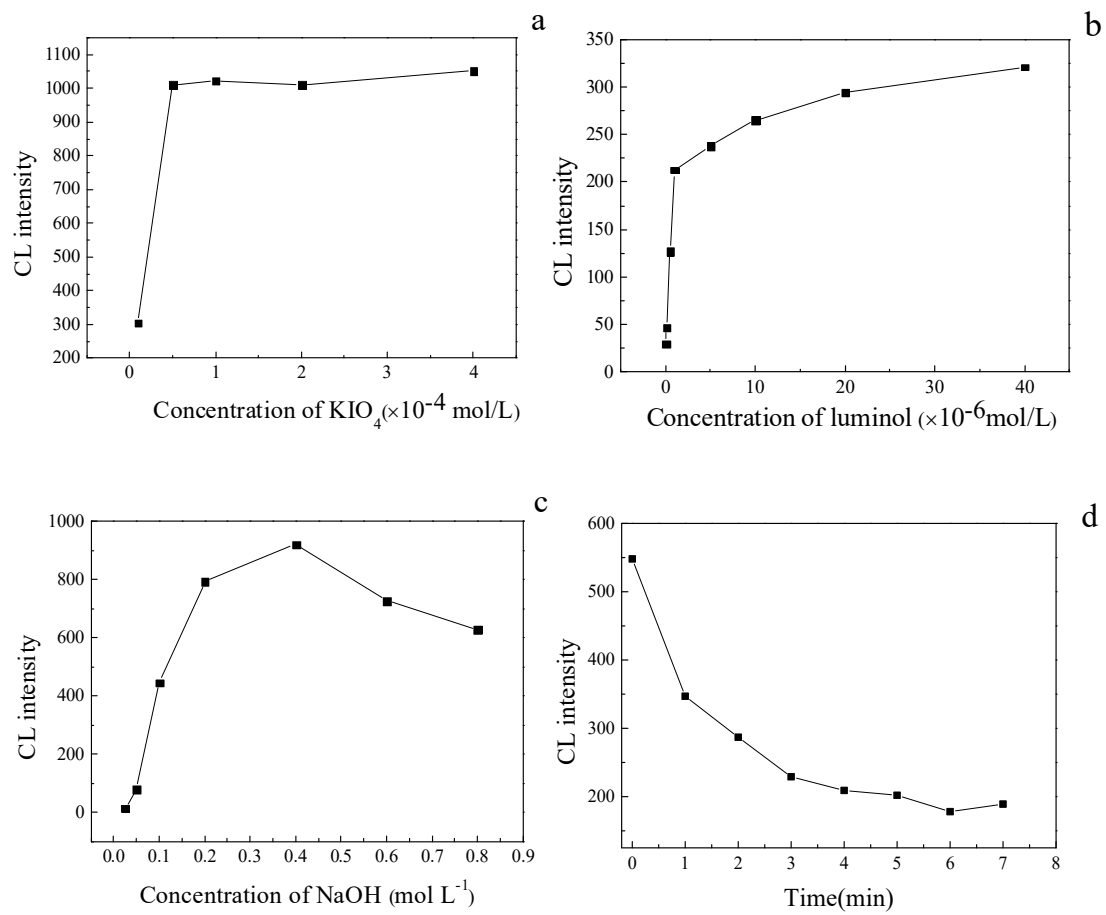


Figure S2. Conditions optimization for CL measurement. (a) KIO₄ concentration; (b) luminol concentration; (c) NaOH concentration; (d) BPA adsorption time.