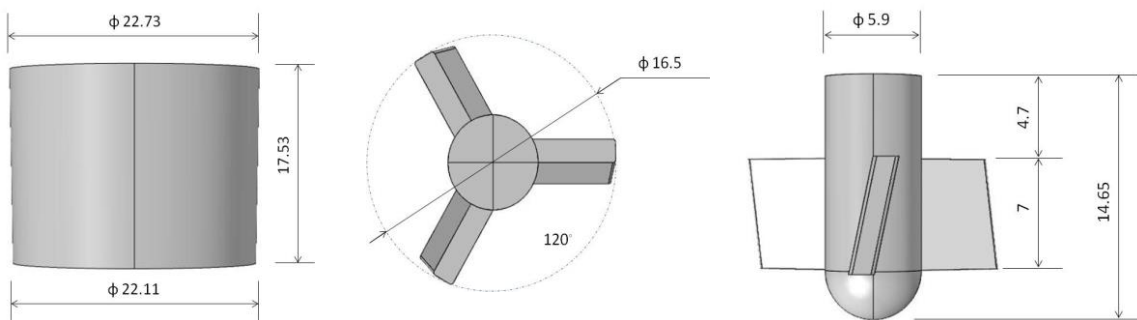
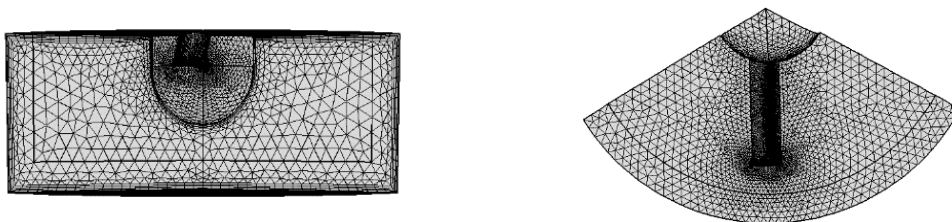


# Supplementary Figure 4

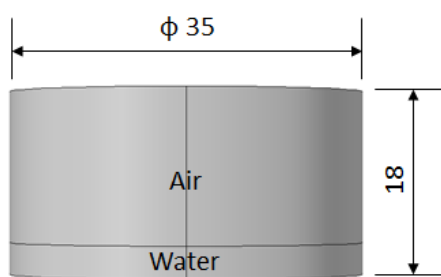
A.



B.



C.



D.

