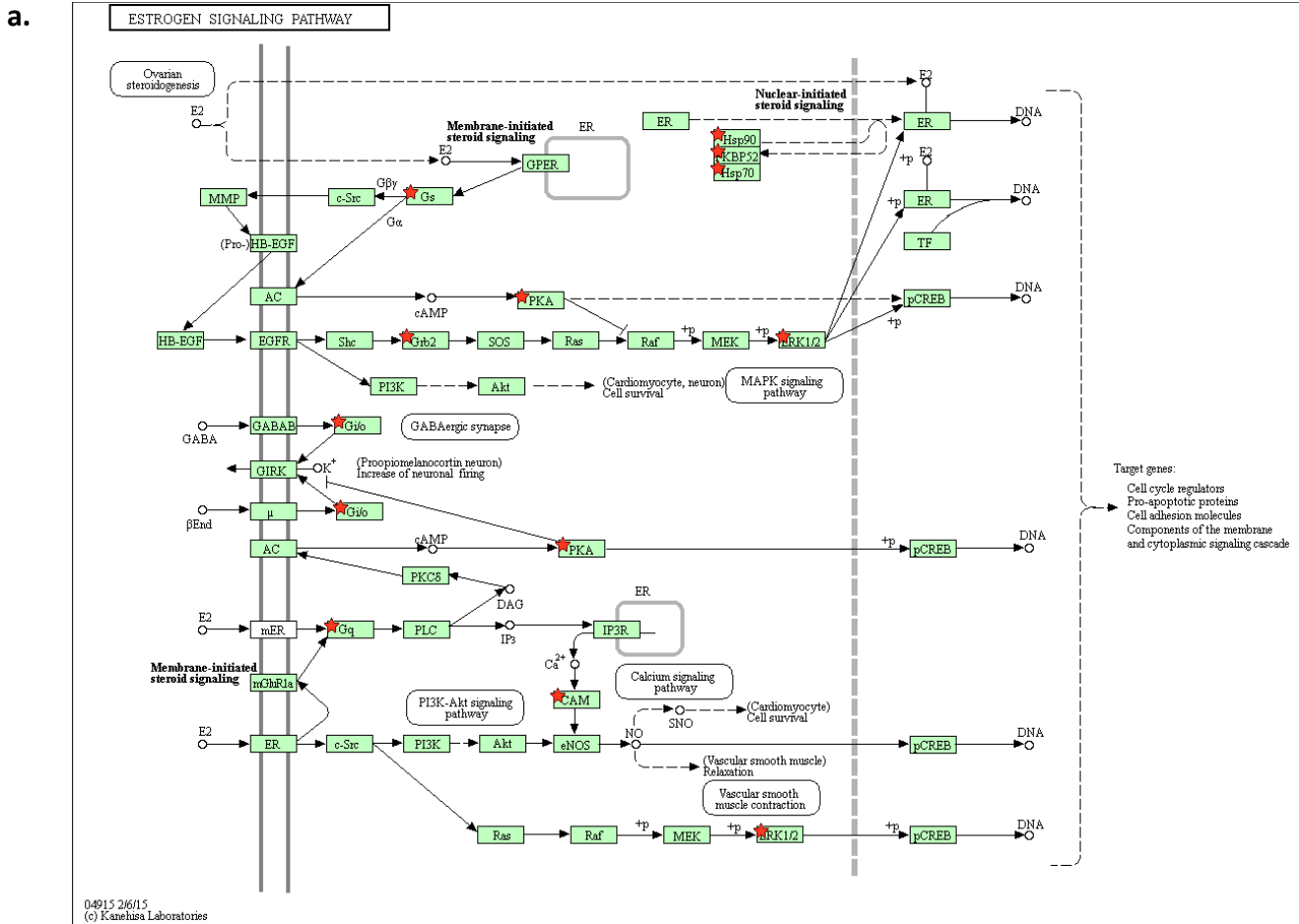


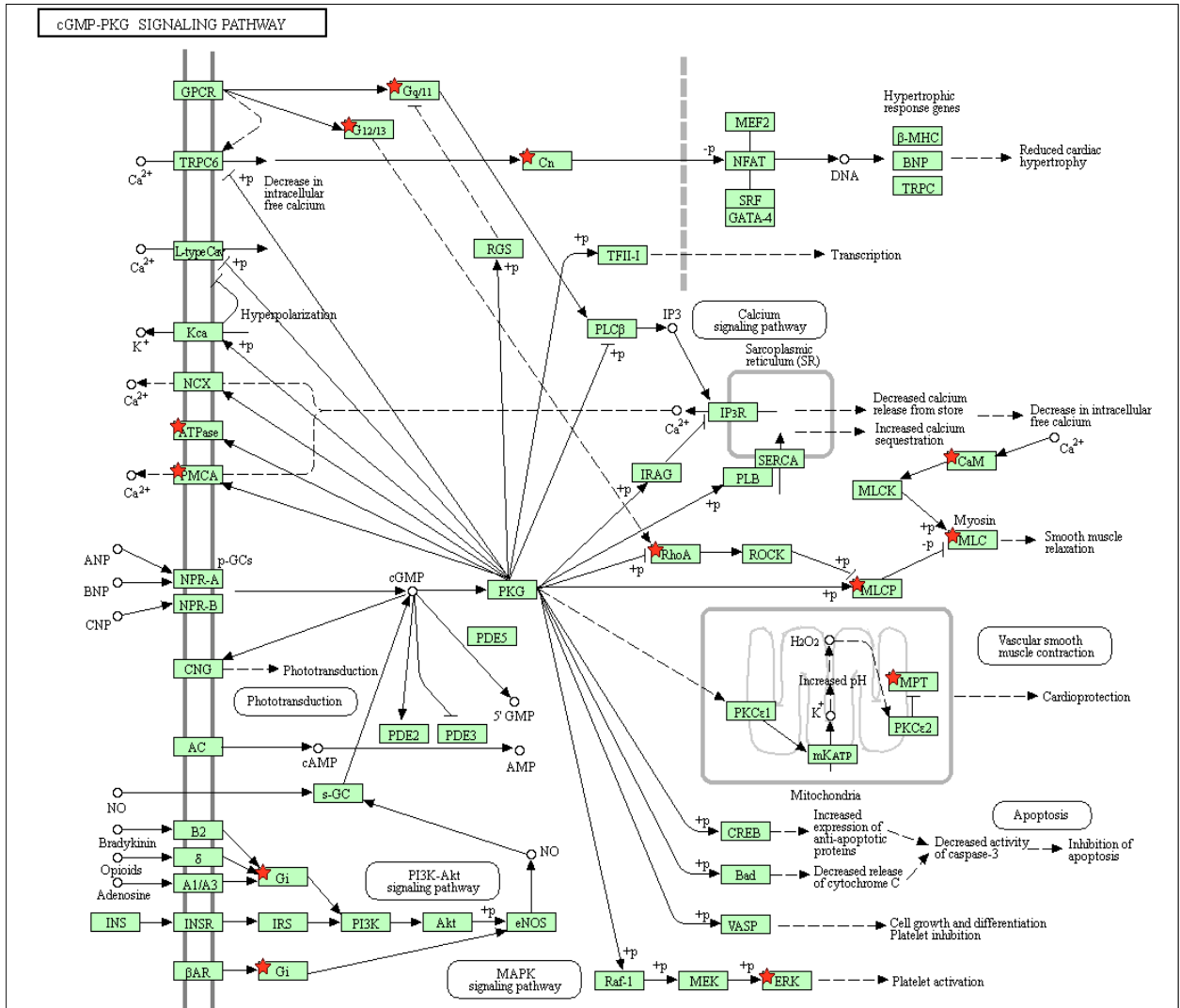
# Supplemental figures

## S1. Pathway diagrams of estrogen signaling, RAS and cGMP/PKG

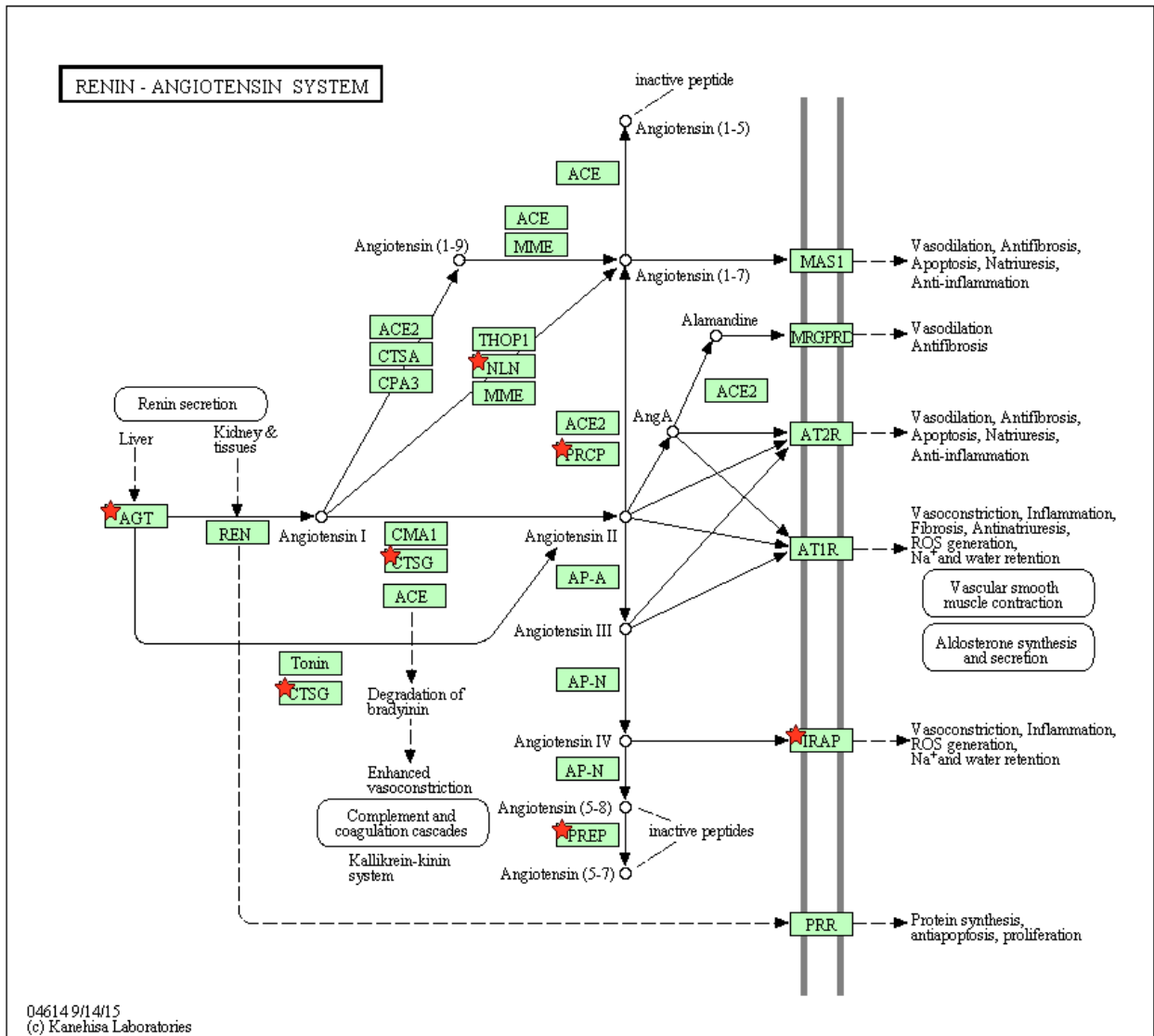
Proteins detected by MS were mapped using the KEGG database to understand their interaction and elucidate their functions. Identified proteins within **a)** the estrogen signaling pathway, **b)** cyclic GMP-protein kinase G (cGMP/PKG) and **c)** the renin angiotensin system (RAS) are marked with a red star.



b.



C.



## S2. Clinical characteristics of ovarian tissue donor patients

	Patients		
	P1	P2	P3
<b>Age</b>	30	49	59
<b>Number of live births</b>	0	2	2
<b>Number of abortions</b>	0	1	2
<b>Gynecologic disease</b>	Peritoneal endometriosis	Menometrorrhagia	BRCA1 mutation
<b>ICD-10<sup>1</sup> code</b>	N80.3	N92	Z15.01
<b>Clinical stage</b>	-	-	pTis (DCIS) <sup>2</sup> pN0 <sup>3</sup>
<b>Surgery</b>	Unilateral salpingectomy by laparoscopy	Radical hysterectomy by laparoscopy	Radical hysterectomy by laparoscopy
<b>Histology evaluation</b>	Paramesonephric paratubal cyst; left hydrosalpinx associated with endometriotic tubular lesions; no sign of malignancy; no ovarian samples for analysis (ovaries not affected by the disease, as observed by the surgeon)	Bulky submucous uterine leiomyoma; superficial uterine adenomyosis; menstrual endometrium; normal ovaries; no sign of malignancy	Atrophic endometrium and uterine adenomyosis; normal cervix and ovaries; no sign of malignancy
<b>Hormonal treatment</b>	Zoladex	NO	NO

<sup>1</sup>ICD-10 code: International Statistical Classification of Diseases and Related Health Problems, 10th Revision

<sup>2</sup>pTis (DCIS): Ductal carcinoma in situ

<sup>3</sup>pN0: No regional lymph node metastasis identified