

Supplementary Materials: Developed Hybrid Model for Propylene Polymerisation at Optimum Reaction Conditions

Mohammad Jakir Hossain Khan, Mohd Azlan Hussain and Iqbal Mohammed Mujtaba

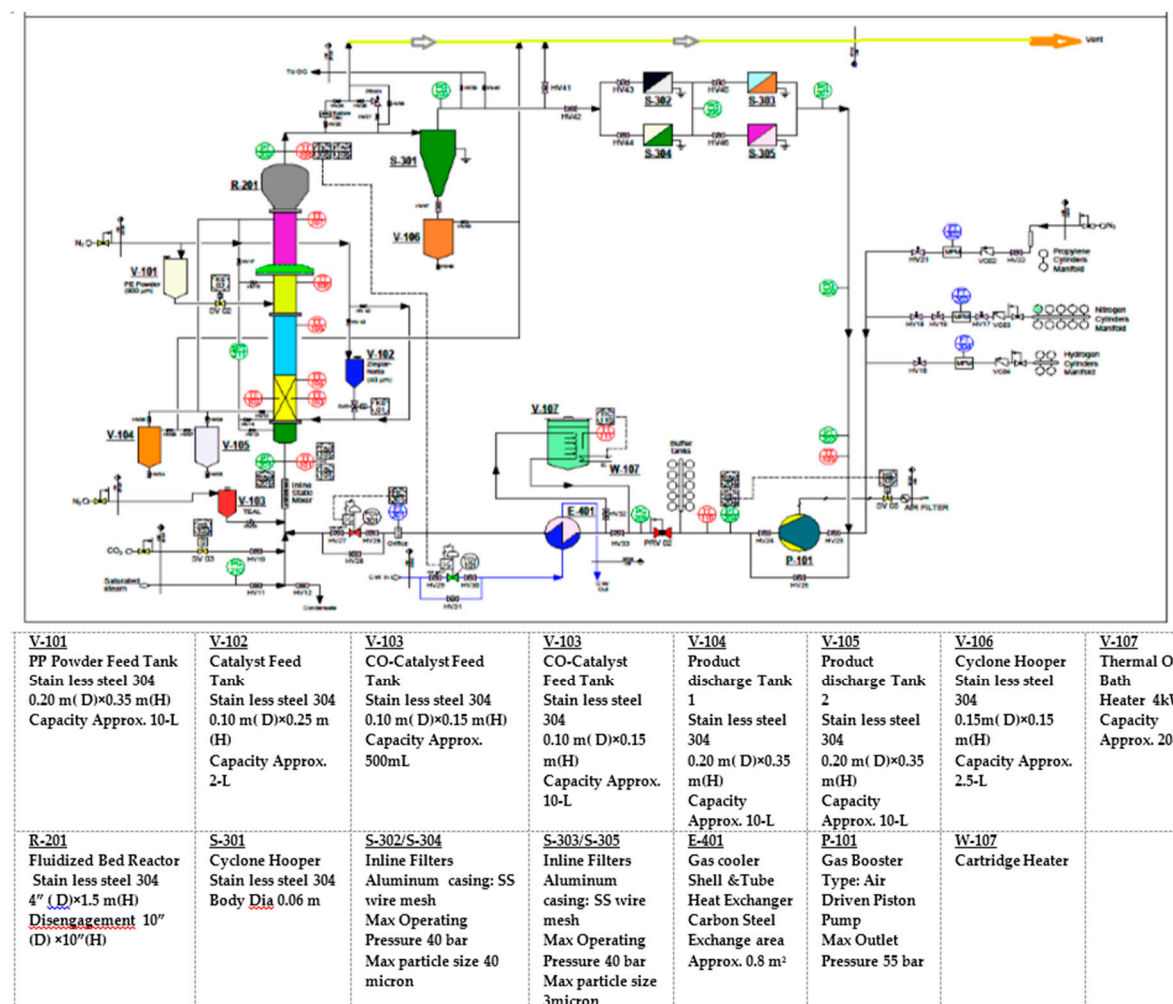


Figure S1. Globally unique pilot scale fluidised bed catalytic reactor schematic for propylene polymerization, designed and fabricated at Department of Chemical Engineering, University of Malaya, Malaysia.



© 2016 by the authors; licensee MDPI, Basel, Switzerland. This article is an open access article distributed under the terms and conditions of the Creative Commons by Attribution (CC-BY) license (<http://creativecommons.org/licenses/by/4.0/>).