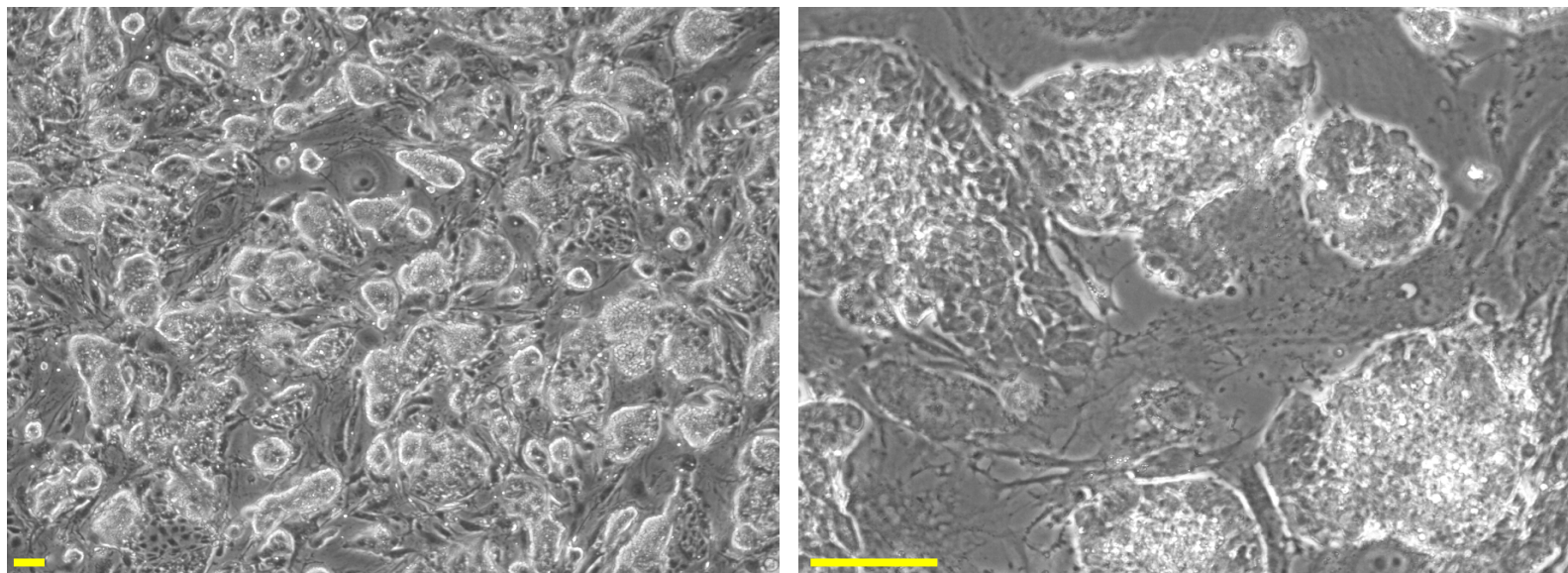
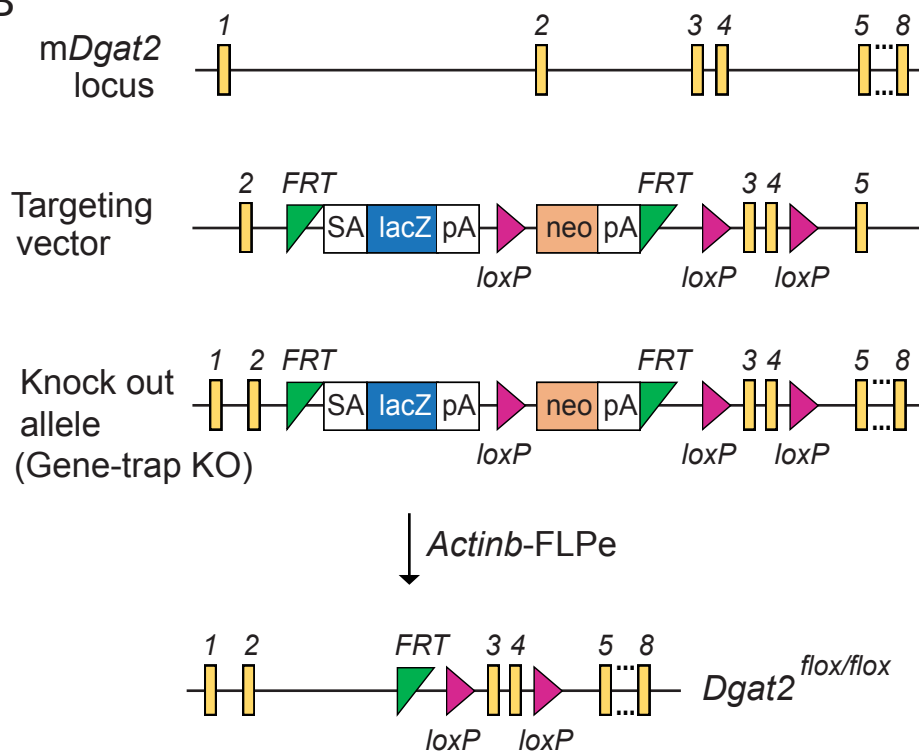


A

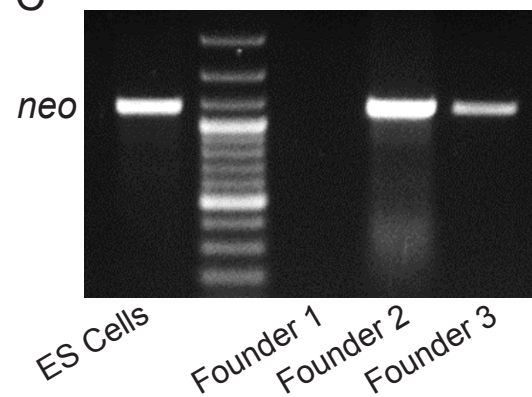


two different magnifications

B



C



D

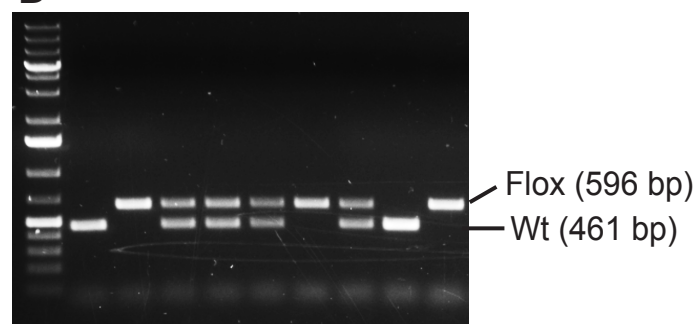


Fig. S1. Validation of founders for gene-trap allele, and DGAT2 flox mice by PCR. (A) Targeted ES-cells used for blastocyst injection. (B) Strategy for generating *Dgat2* gene-trap knockout mice, and DGAT2 flox mice. (C) Genotyping of founders for gene-trap allele. (D) Genotyping of DGAT2 flox mice.