

Potentiometric adsorption isotherm analysis of molecularly imprinted polymer interface for small-biomolecule recognition

Shoichi Nishitani[†] and Toshiya Sakata^{*†}

[†]Department of Materials Engineering, School of Engineering, The University of Tokyo, 7-3-1 Hongo, Bunkyo-ku, Tokyo 113-8656, Japan

*Corresponding author. E-mail: sakata@biofet.t.u-tokyo.ac.jp

TITLE RUNNING HEAD: Potentiometric adsorption isotherm analysis of biointerface

CORRESPONDING AUTHOR FOOTNOTE: Affiliation; Department of Materials Engineering, School of Engineering, The University of Tokyo, 7-3-1 Hongo, Bunkyo-ku, Tokyo 113-8656, Japan, TEL; +81-3-5841-1842, FAX; +81-3-5841-1842

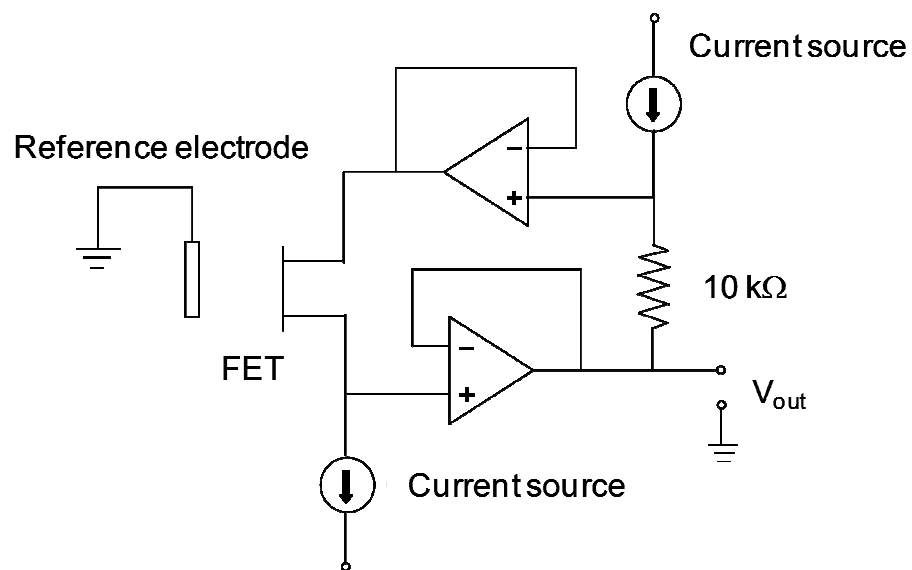


Figure S1 Follower circuit for real-time FET measurement system^{S1}

Reference

S1. Sakata, T.; Kamahori, M.; Miyahara, Y. DNA analysis chip based on field-effect transistors. *Jpn. J. Appl. Phys.* **2005**, *44*, 2854.