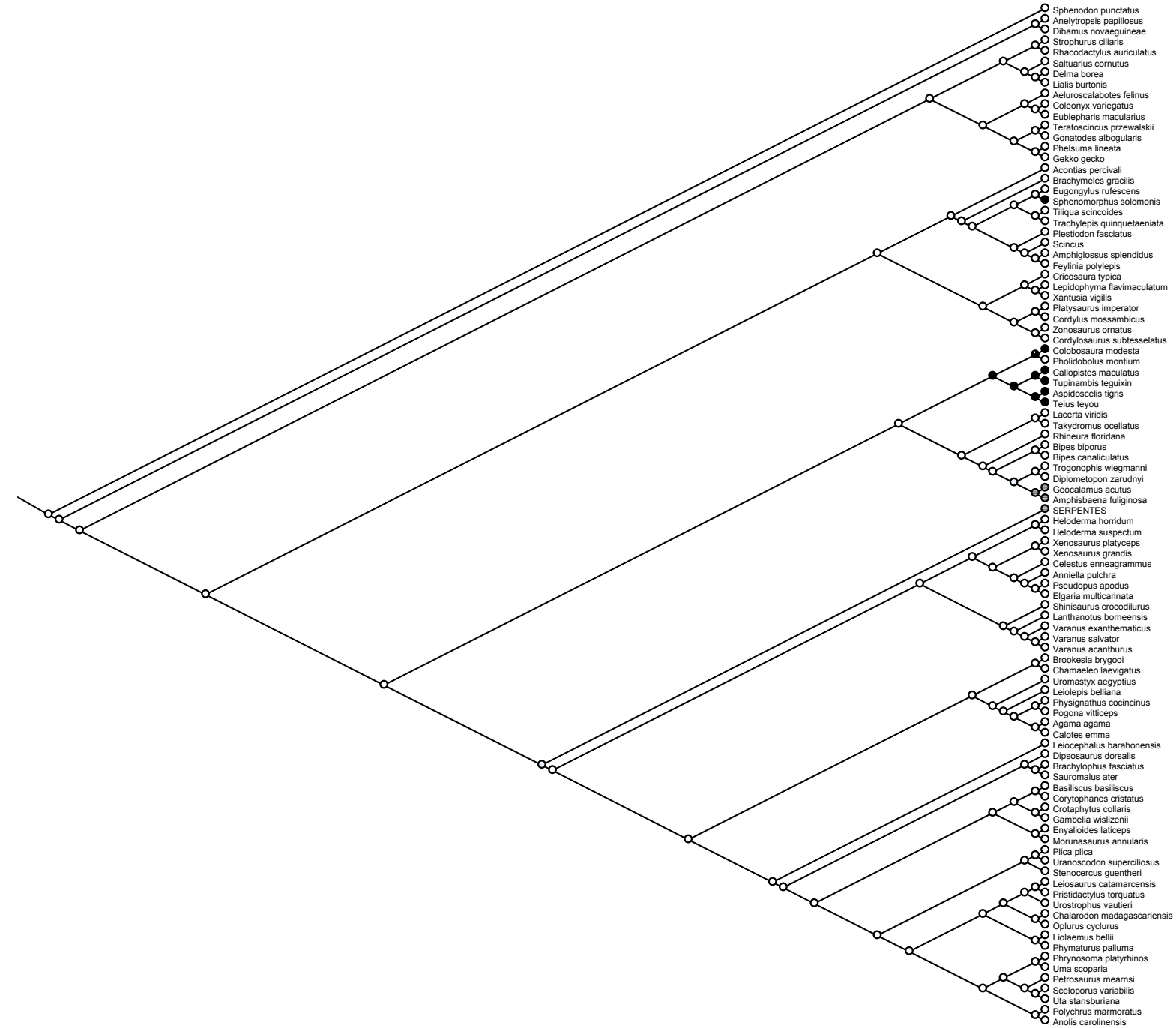


Maximum likelihood ancestral state reconstructions of sesamoids and lunulae, using
MESQUITE version 3.10

Reconstructions over the molecular-based tree of Zheng and Wiens (2016)

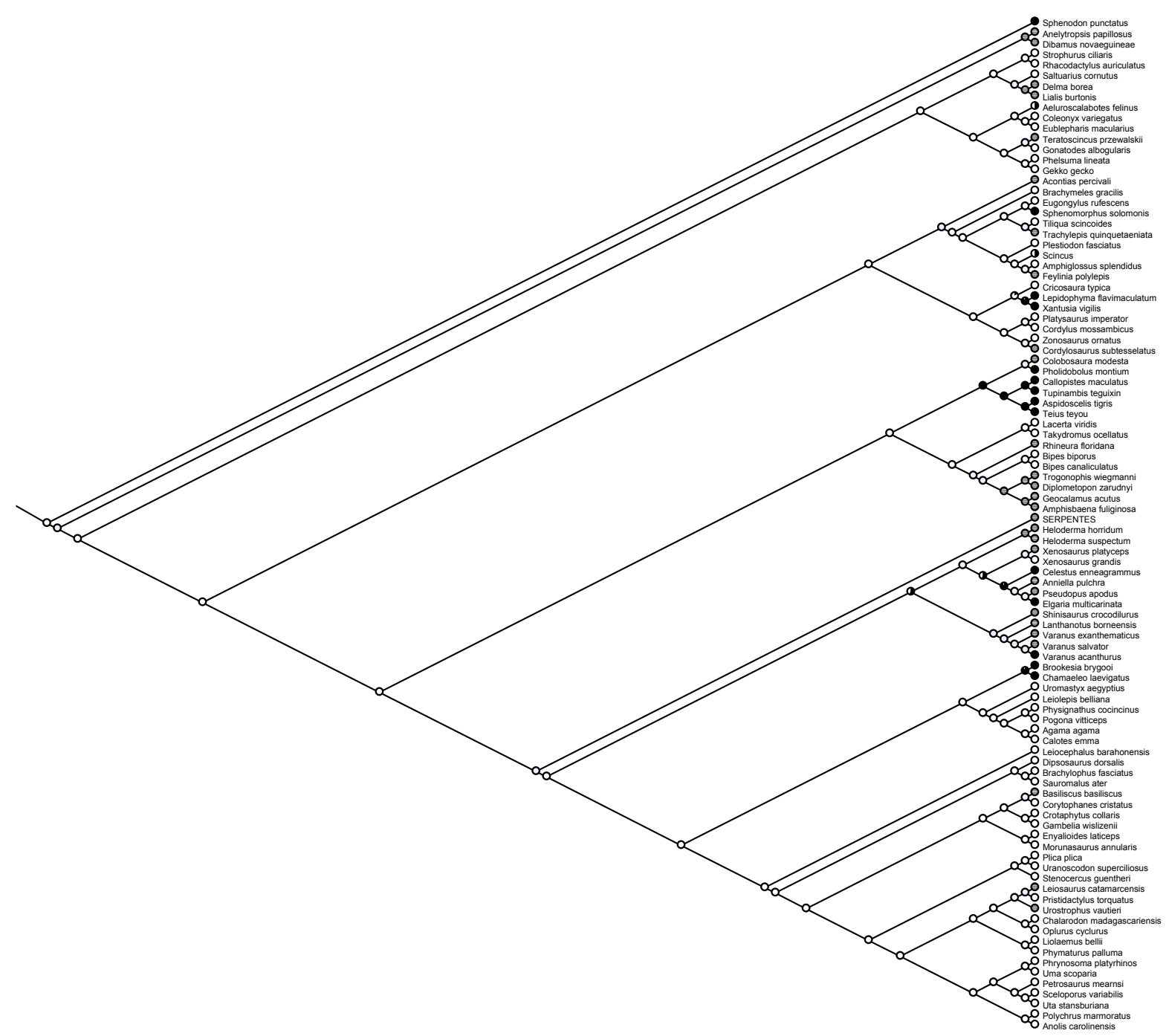
Character: Basipterygoid-pterygoid sesamoid
Maximum likelihood reconstruction

◻ 0 absent
◼ 1 present



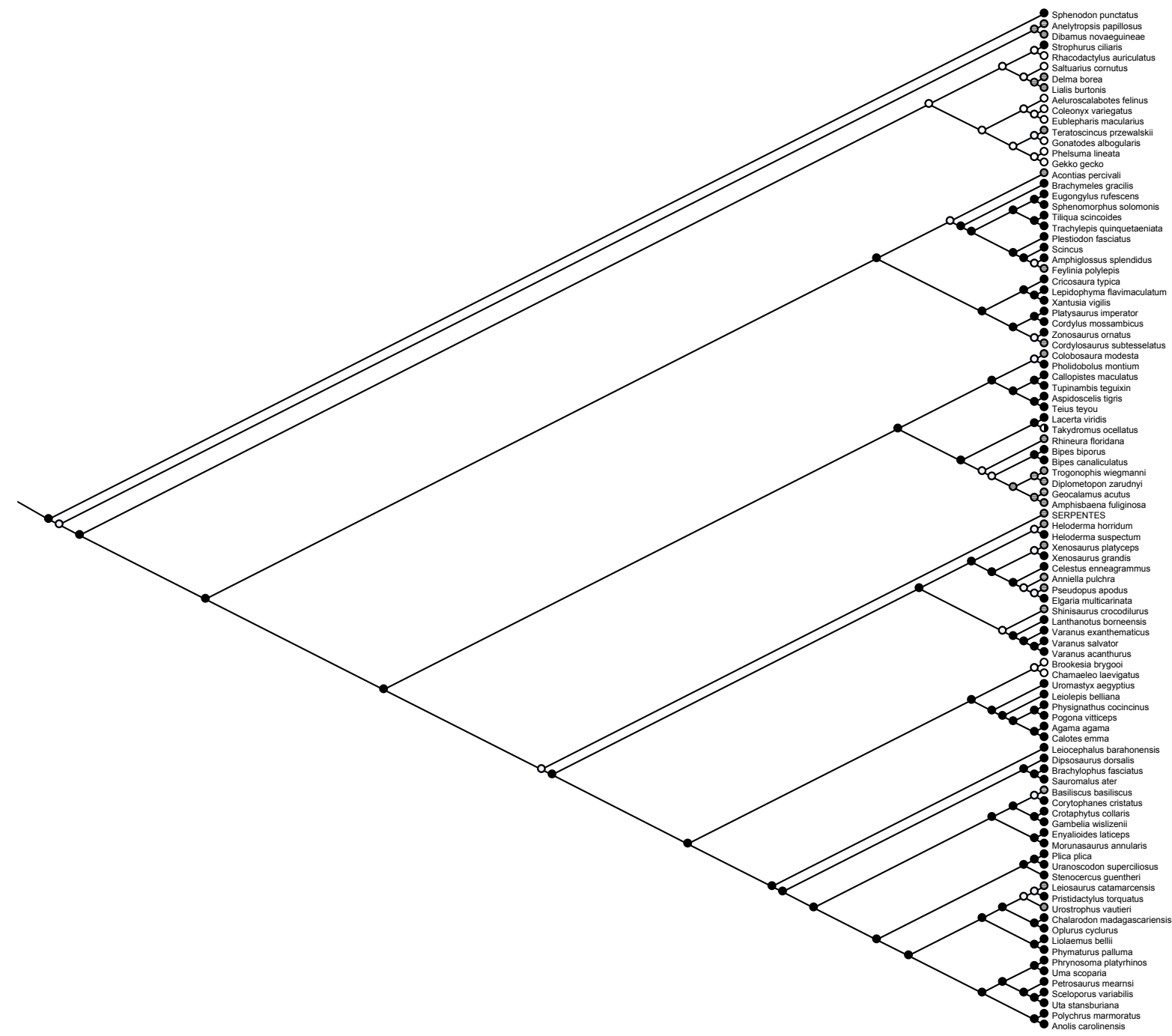
Character: Ulnar patella
Maximum likelihood reconstruction

○ 0 present
● 1 absent



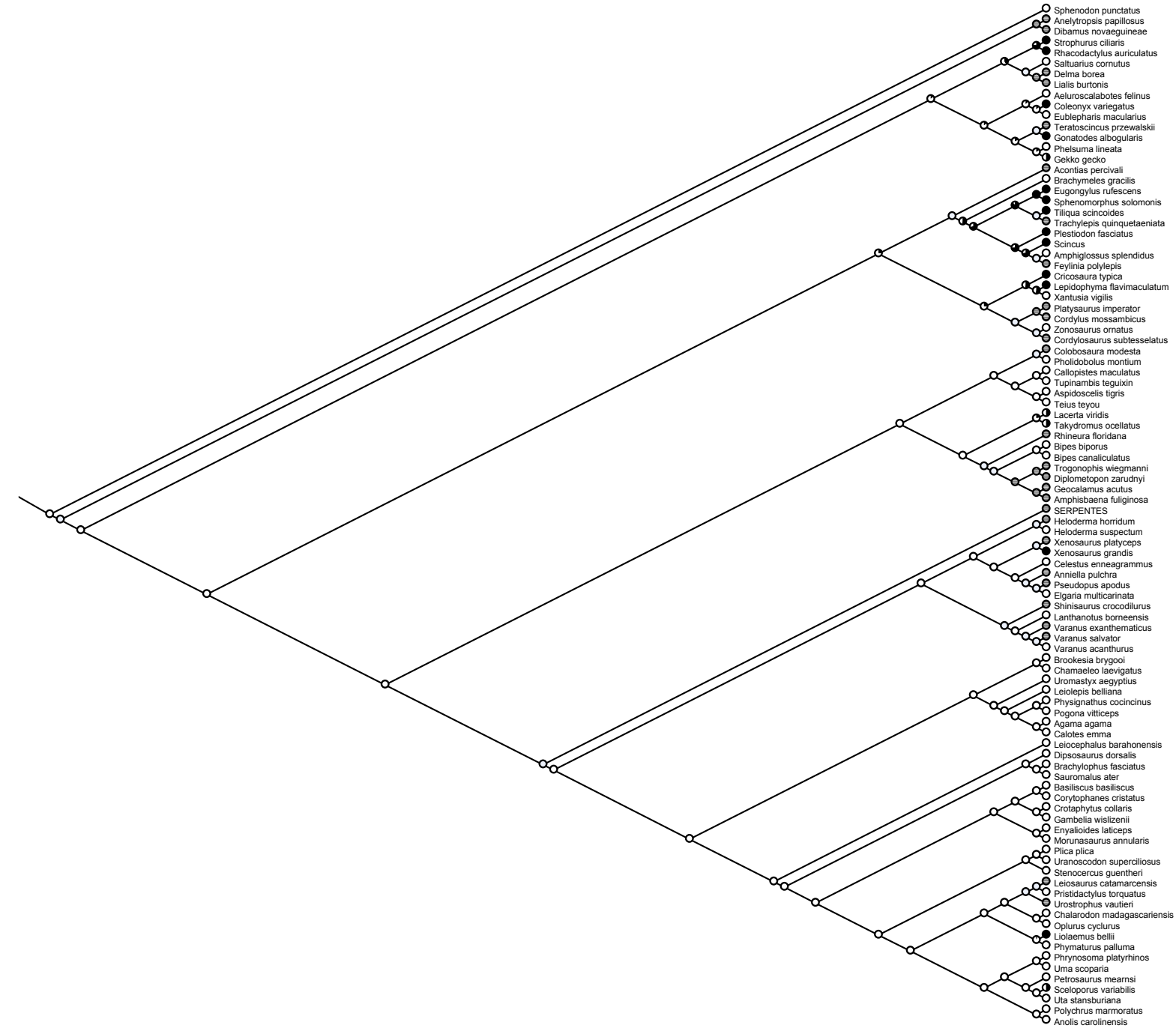
Character: Palmar sesamoids
Maximum likelihood reconstruction

◻ 0 absent
◼ 1 present



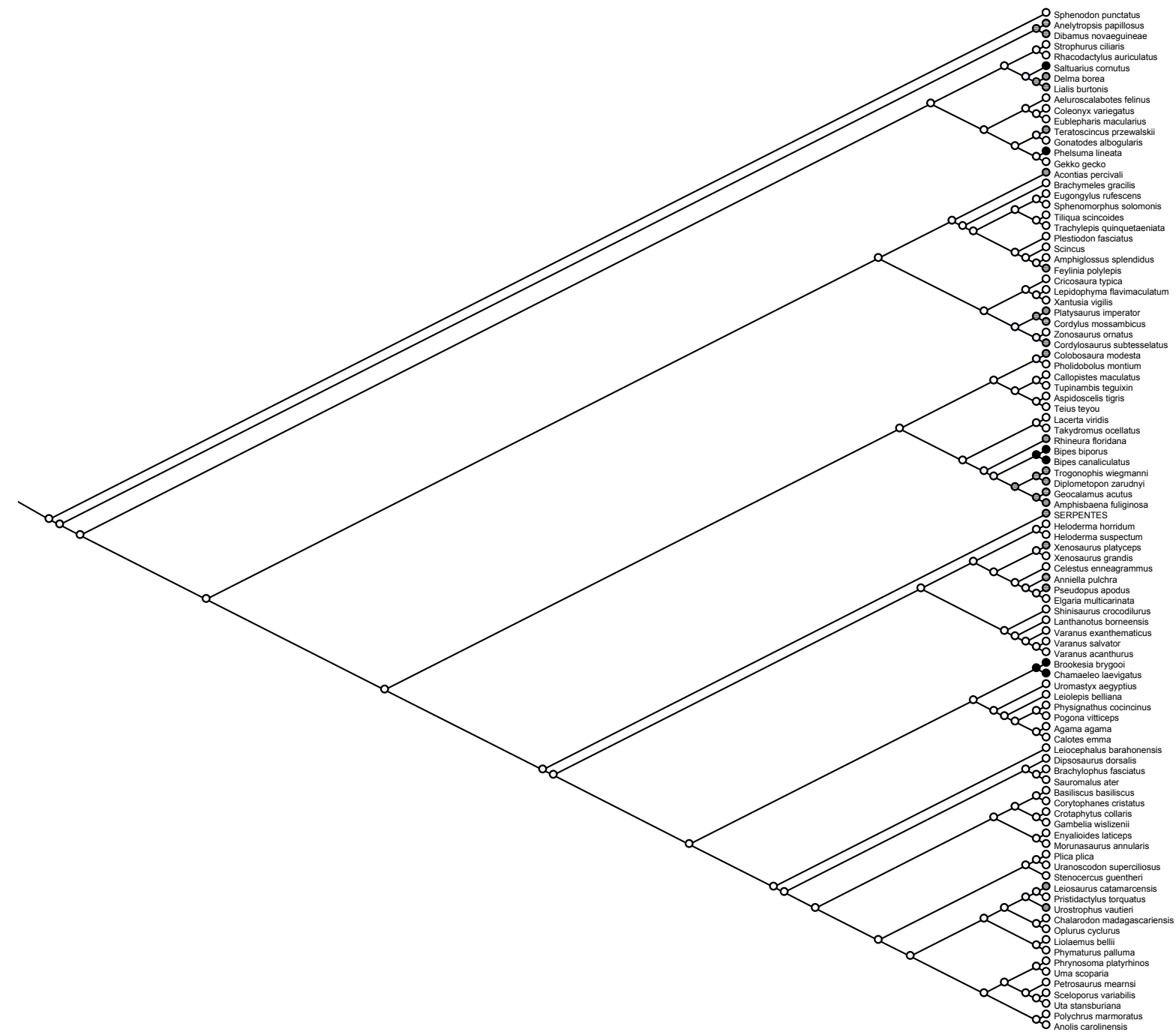
Character: Metacarpal sesamoids
Maximum likelihood reconstruction

◻ 0 absent
◼ 1 present



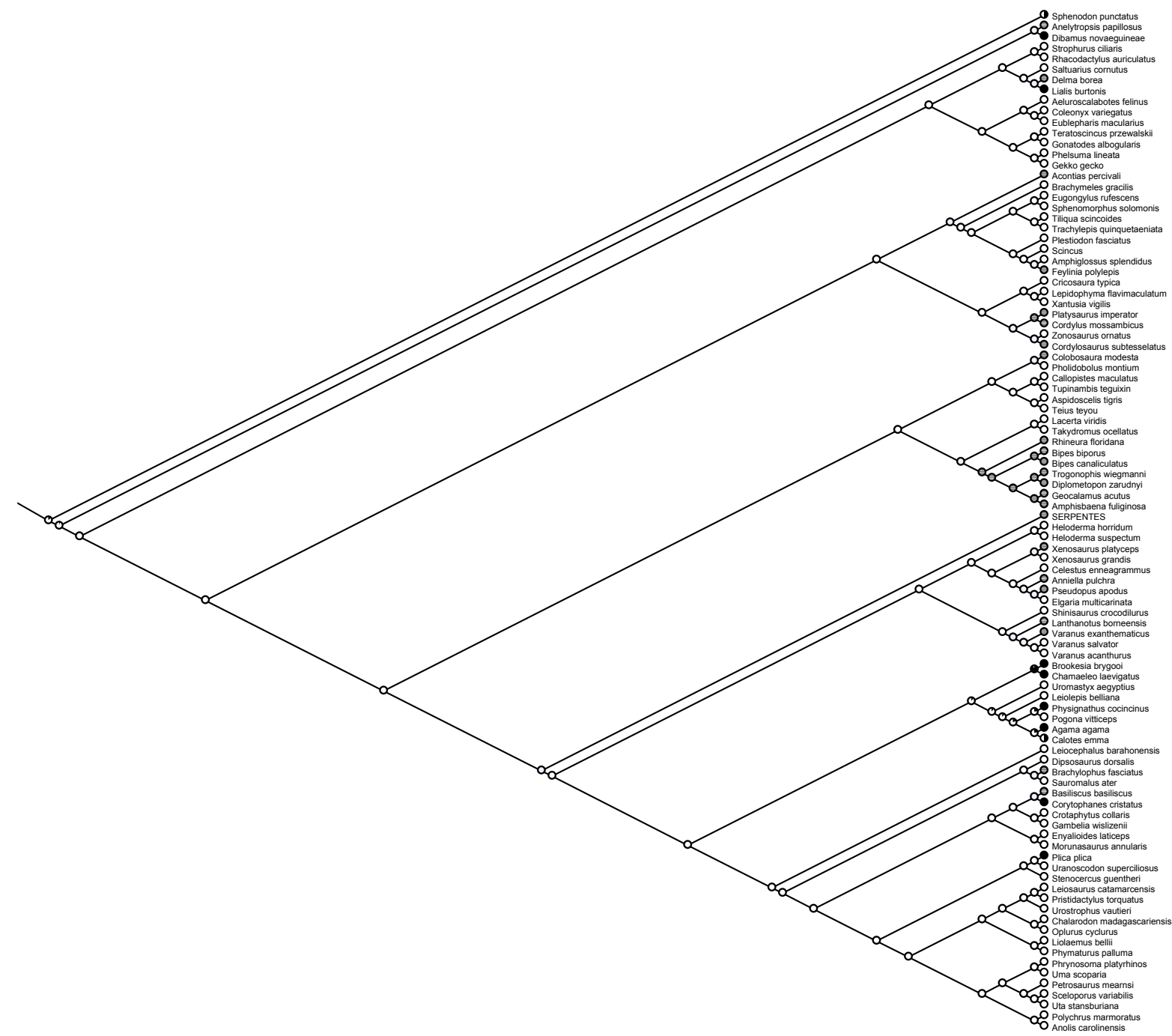
Character: Distal phalangeal sesamoids
Maximum likelihood reconstruction

0 present
1 absent



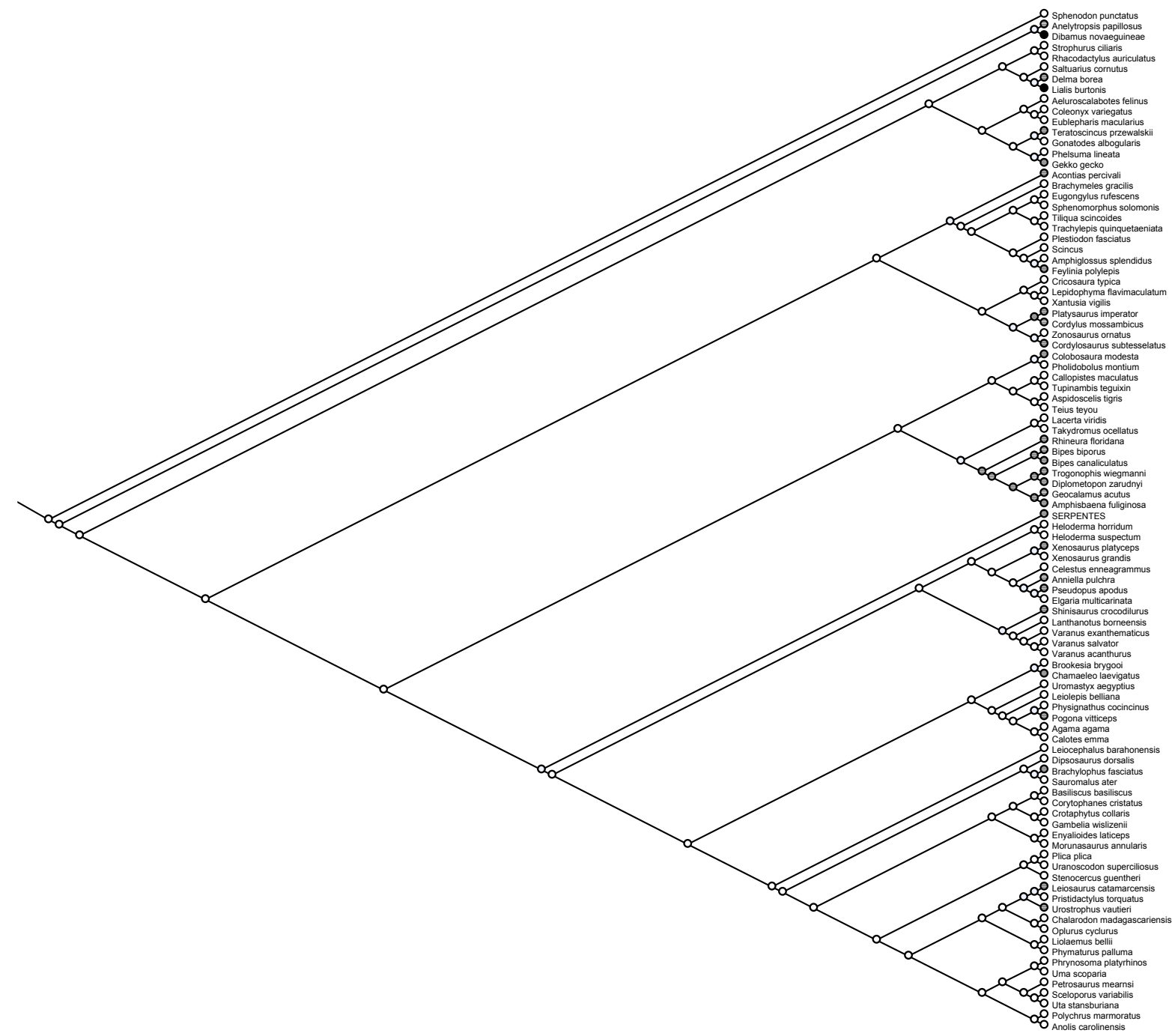
Character: Tibial patella
Maximum likelihood reconstruction

◻ 0 present
◼ 1 absent



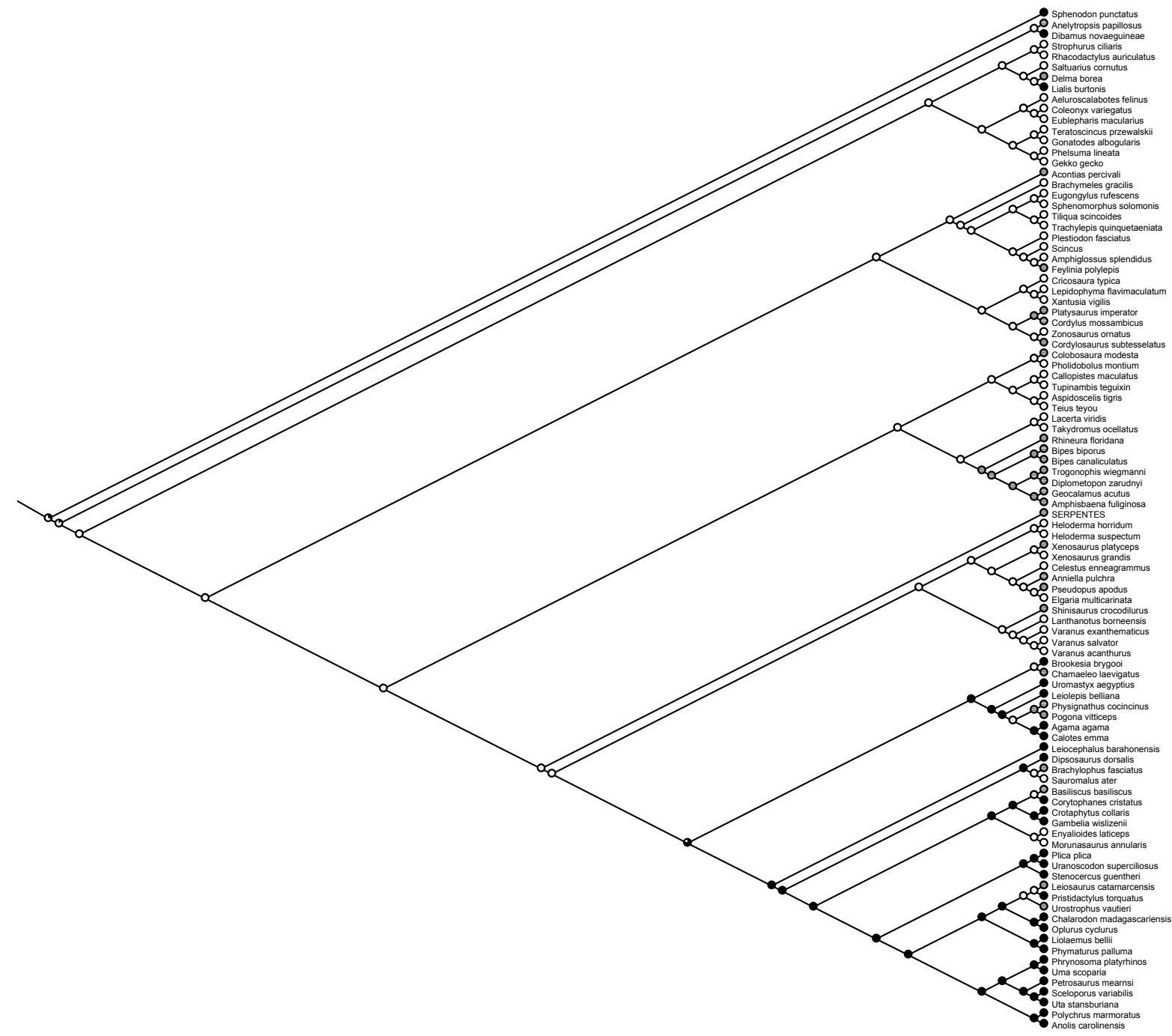
Character: Tibial lunula
Maximum likelihood reconstruction

□ 0 present
■ 1 absent



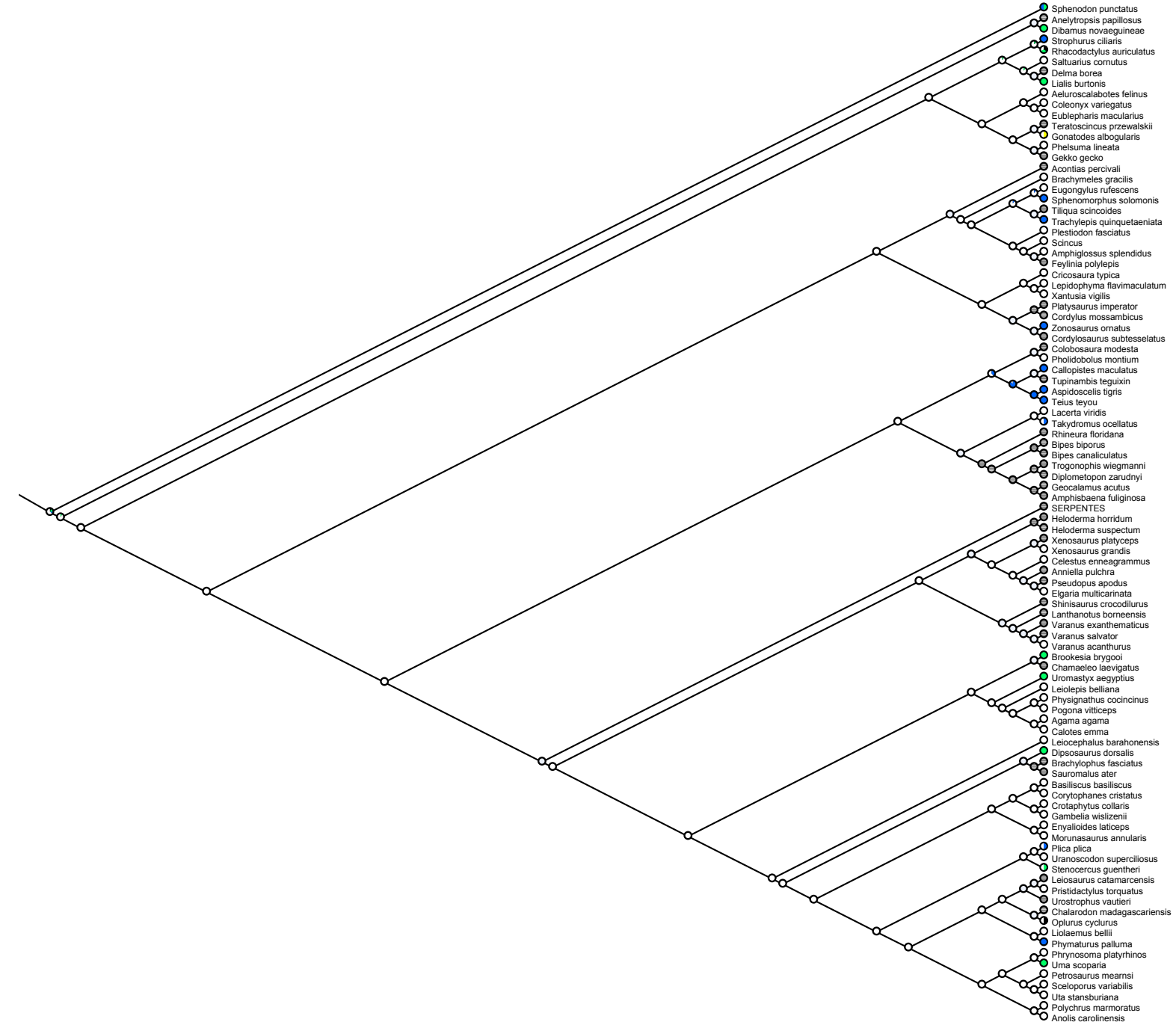
Character: Fibular lunula
Maximum likelihood reconstruction

□ 0 present
■ 1 absent



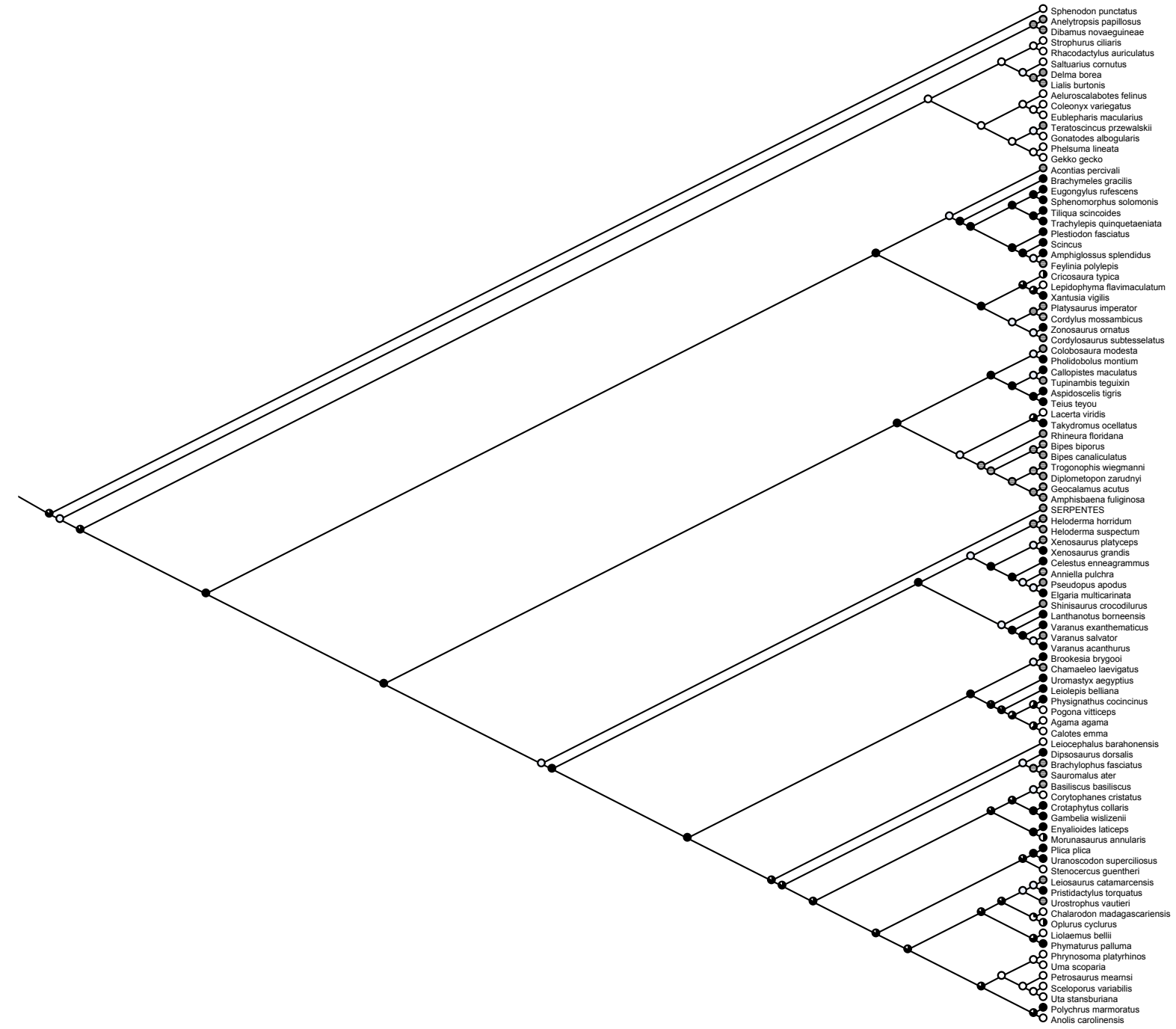
Character: Tibiofemoral lunulae
 Maximum likelihood reconstruction

- 0 present and separate
- 1 ventral only
- 2 both absent
- 3 present and fused
- 4 dorsal only



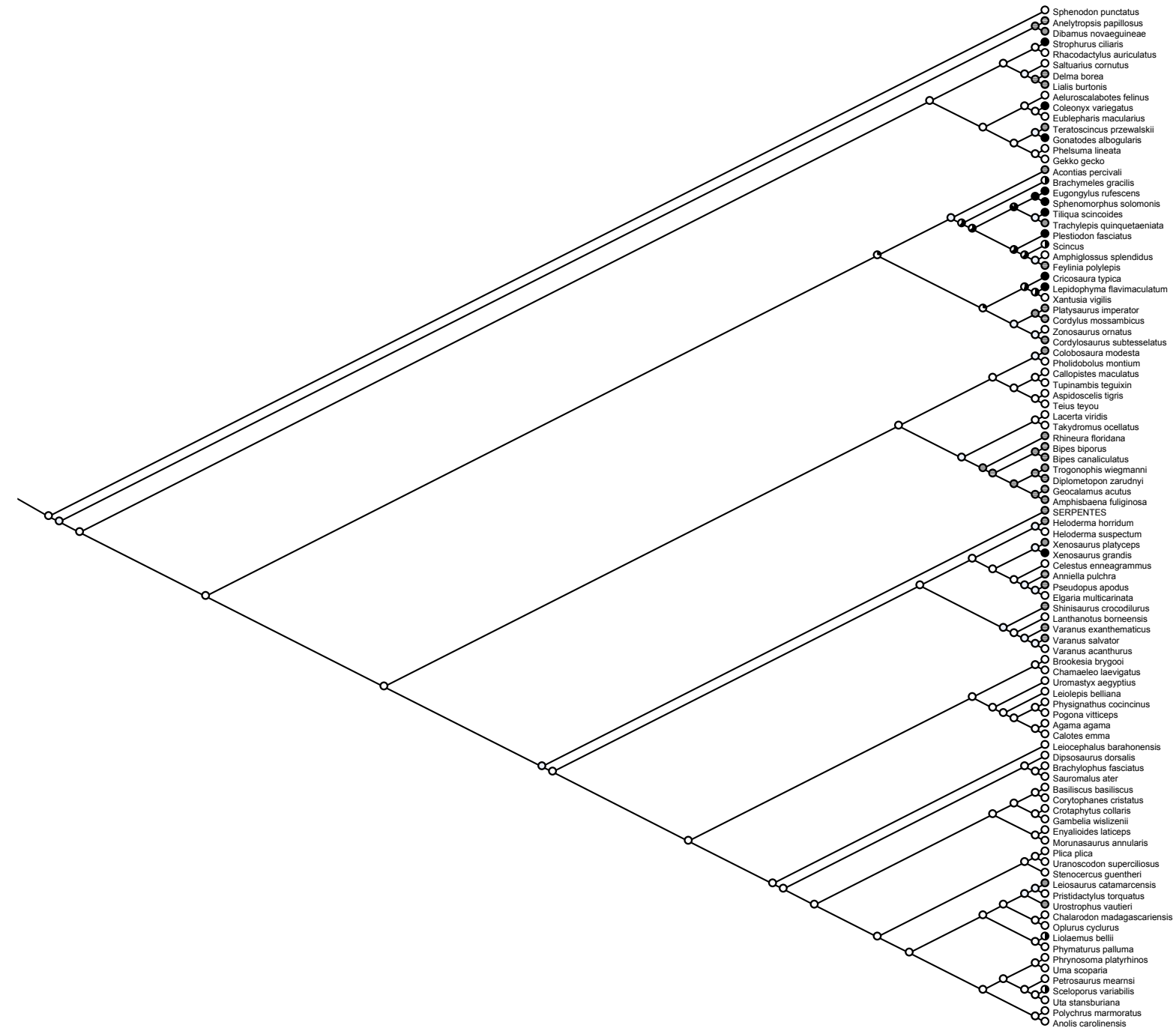
Character: AC-MTI sesamoid
Maximum likelihood reconstruction

◻ 0 present
◼ 1 absent



Character: Metatarsal sesamoids
Maximum likelihood reconstruction

◻ 0 absent
◼ 1 present



Character: Distal phalangeal sesamoids
Maximum likelihood reconstruction

◻ 0 present
◼ 1 absent

