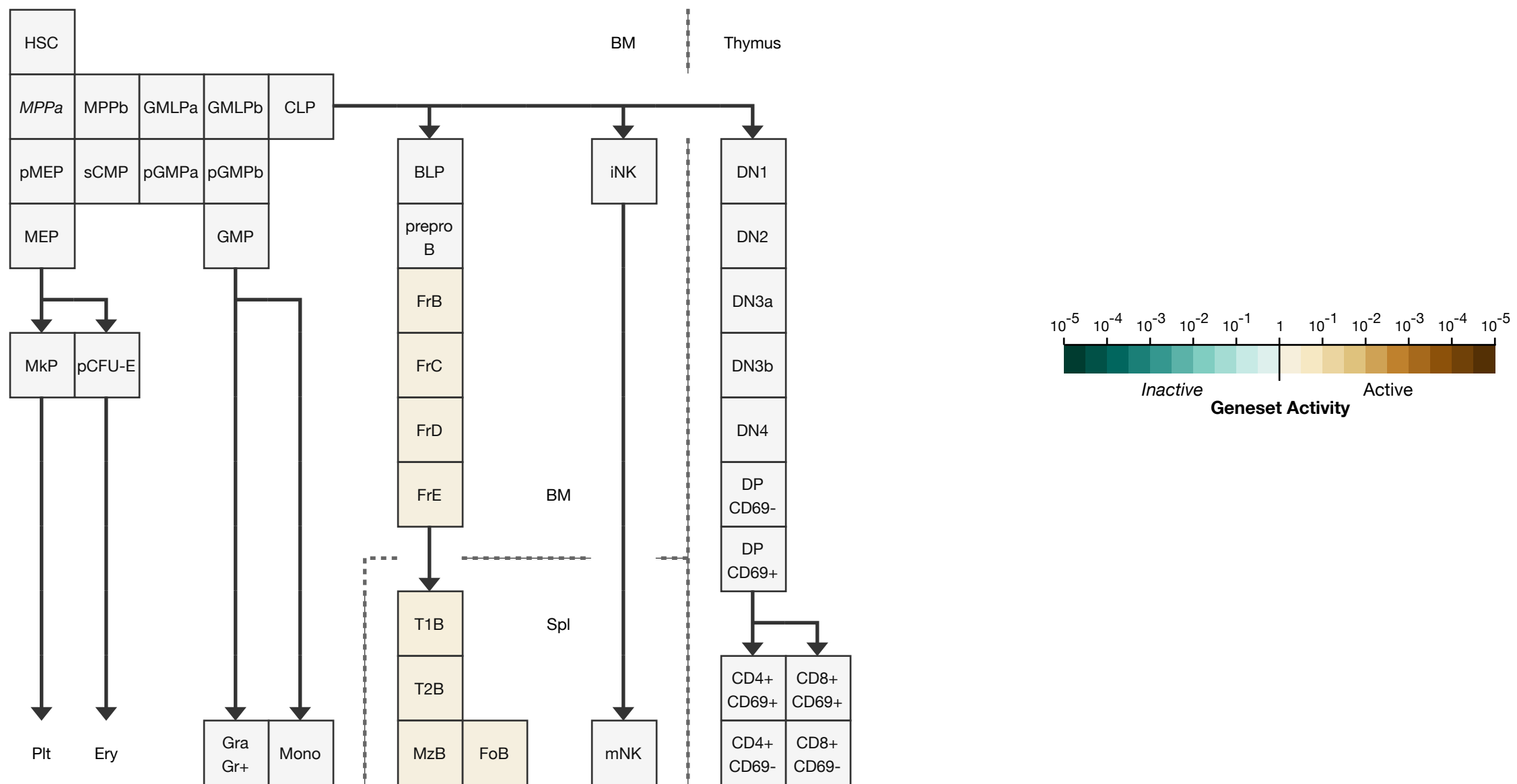
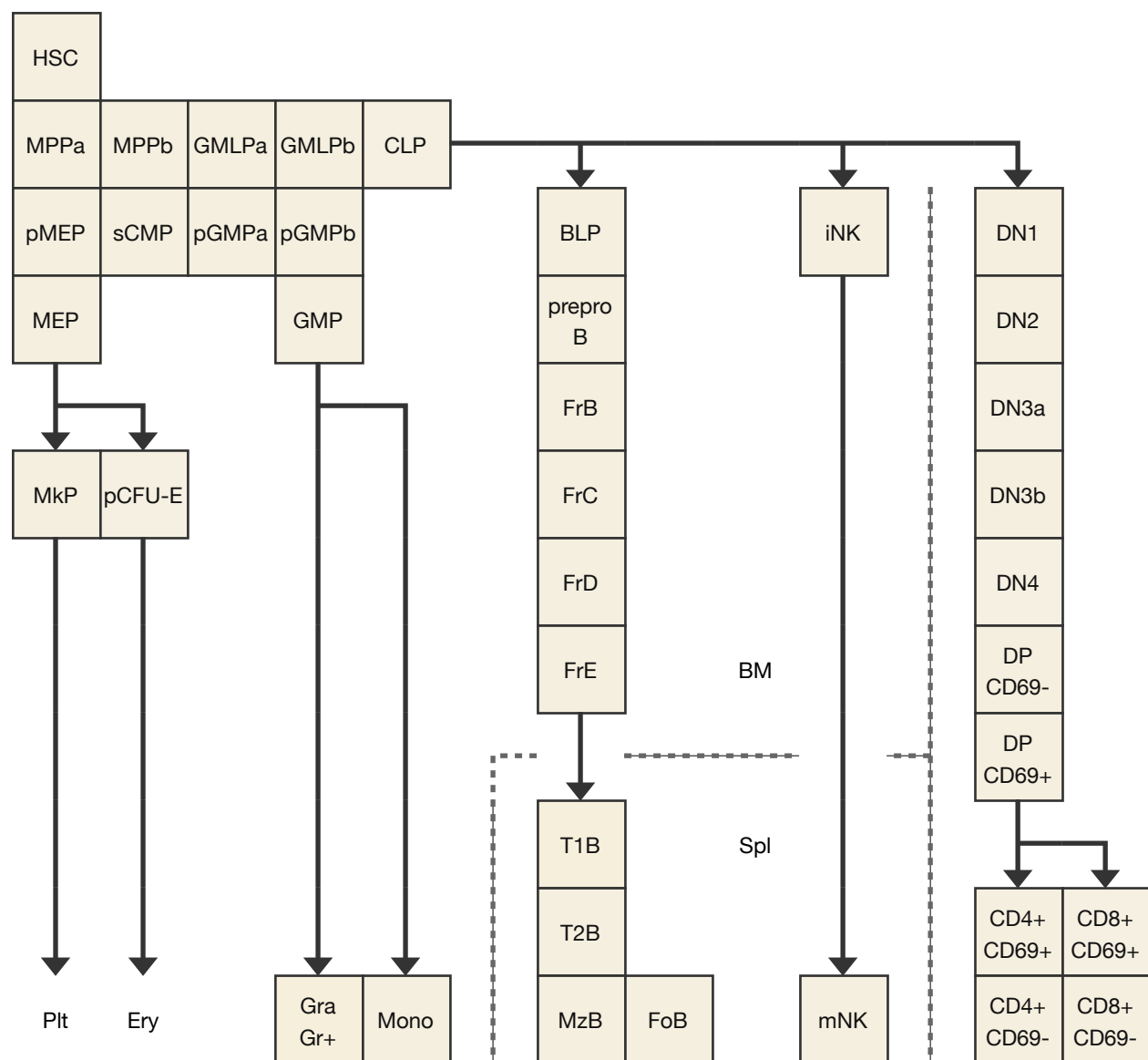


Figure S5A

Pax5 expression



IKZF1 expression



Runx1 expression

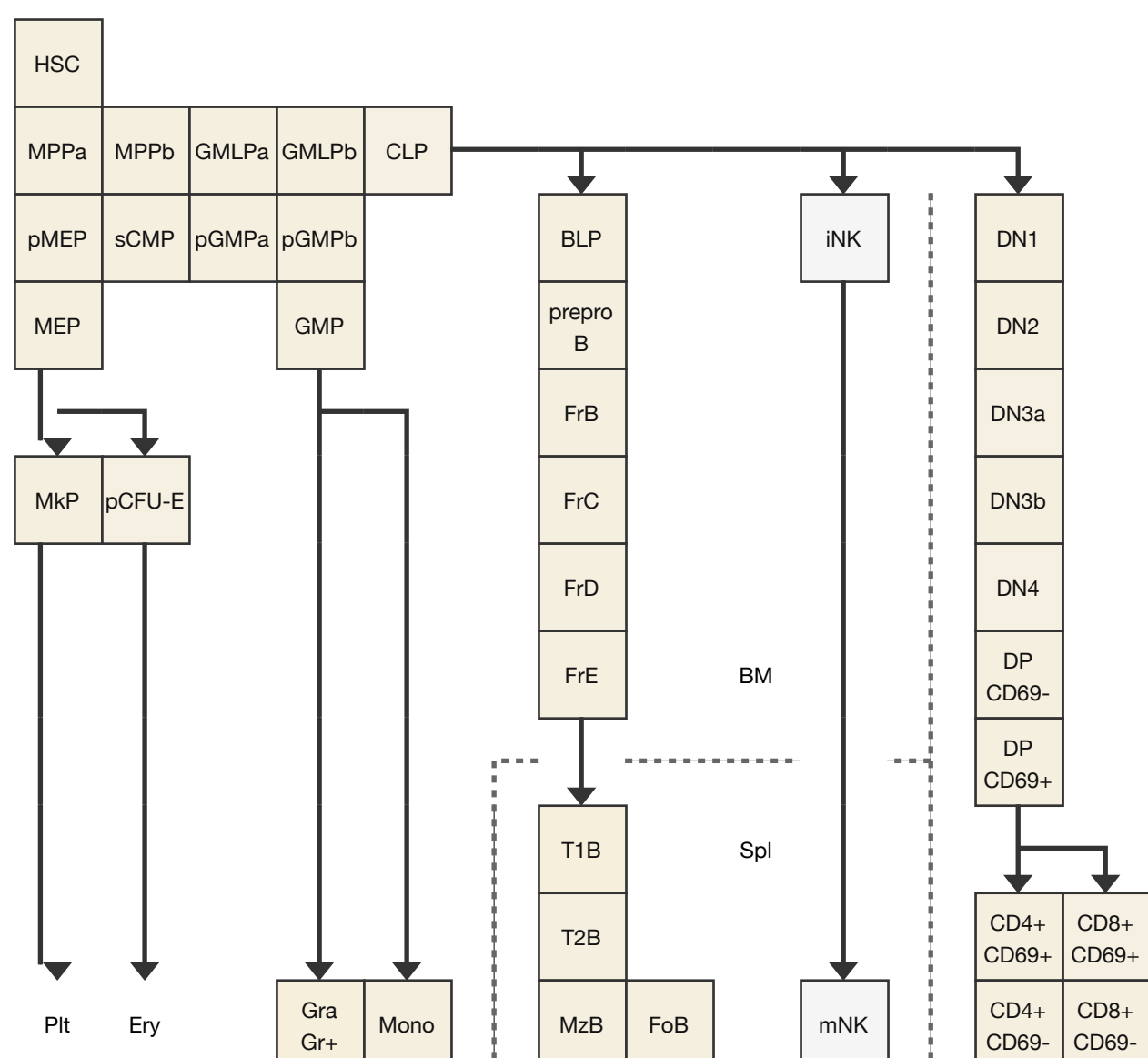
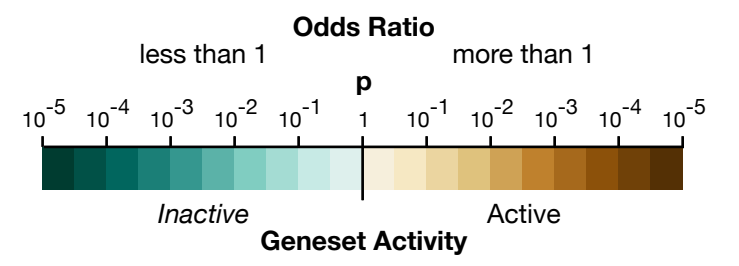


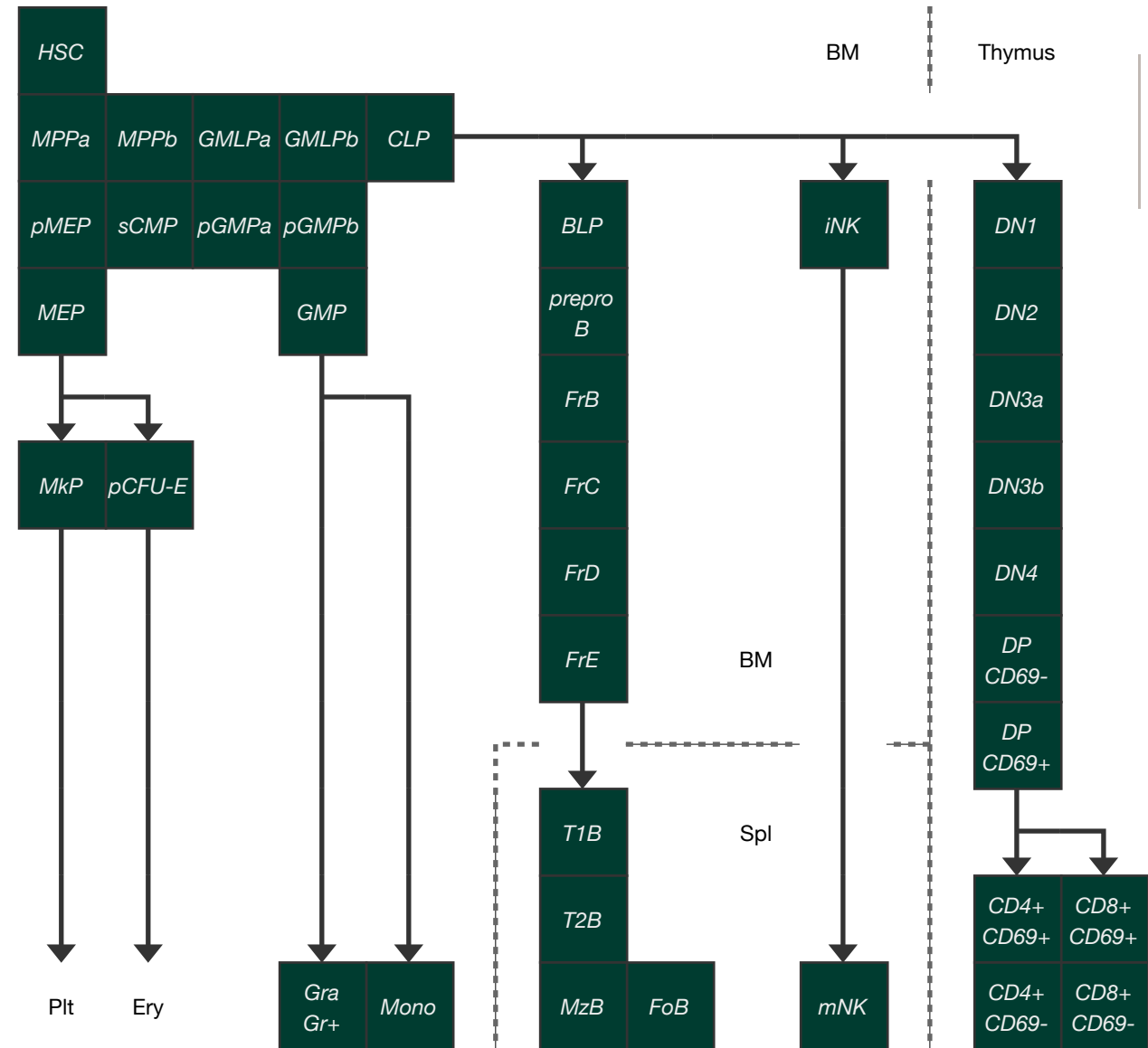
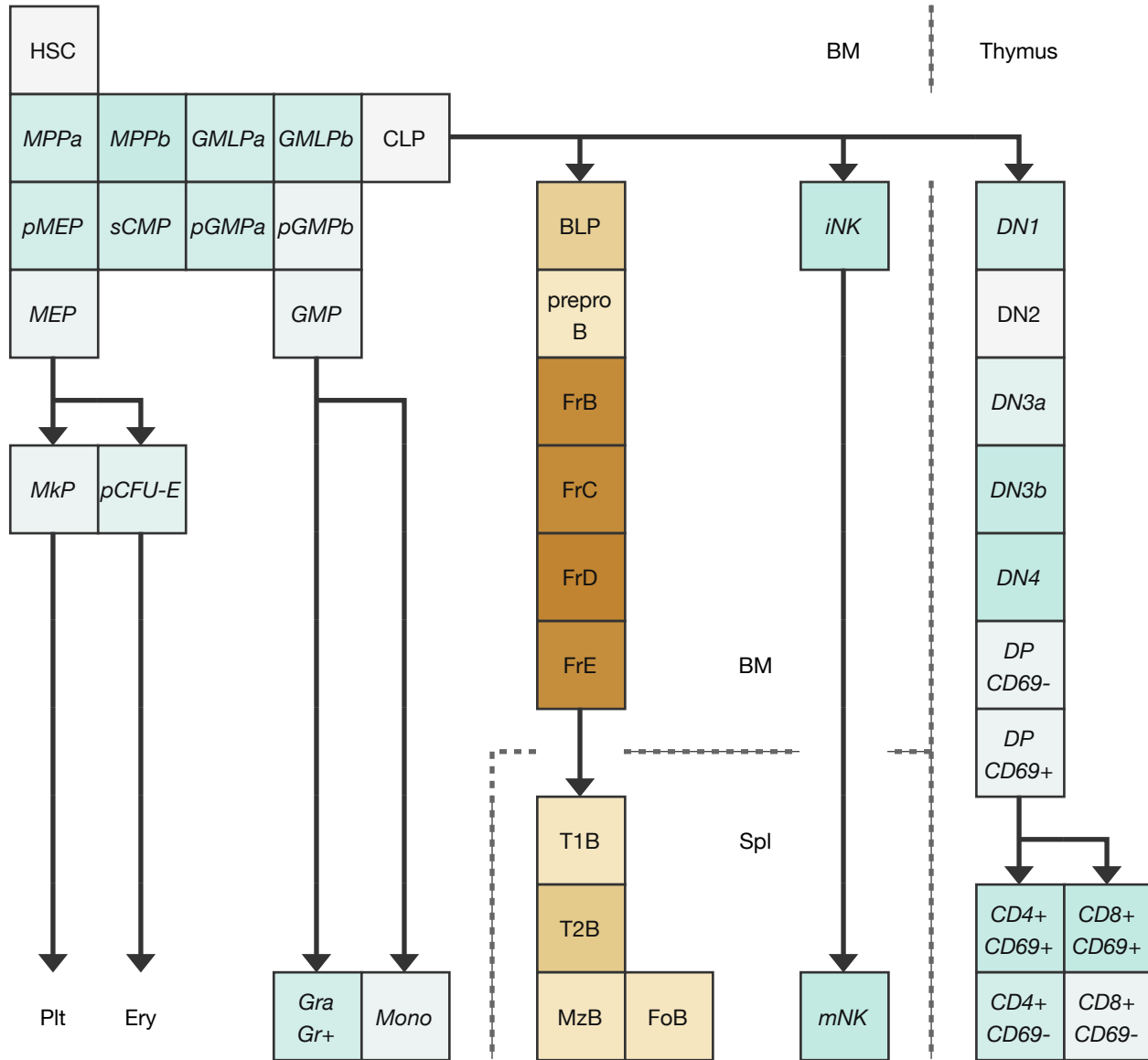
Figure S5B



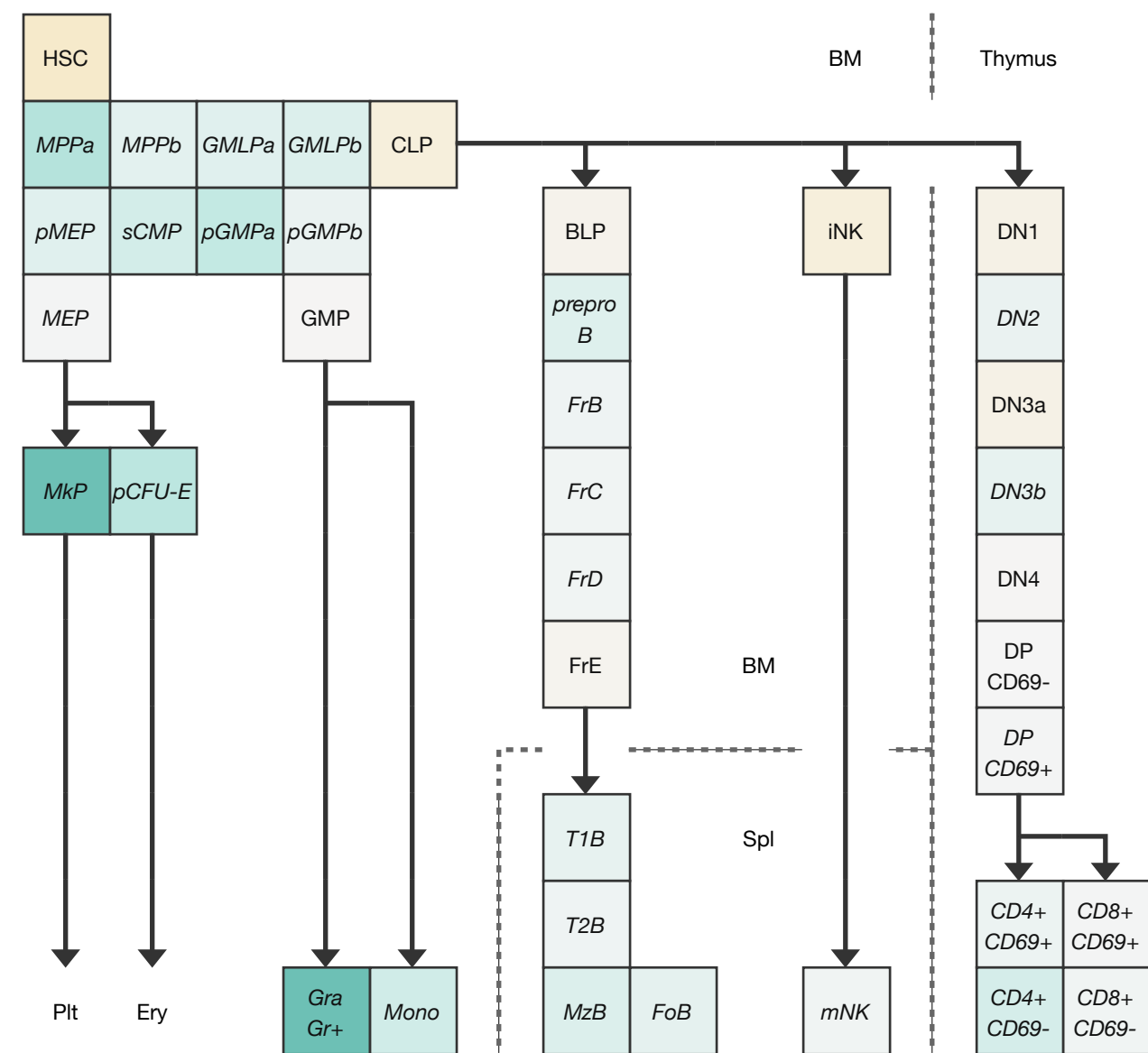
PAX5 targets B-cells geneset

Blk, Ebf, CD19, VpreB1, Igl11, CD79a

Pax5 unique sites geneset



Runx1 unique sites geneset



Akrf1 unique sites geneset

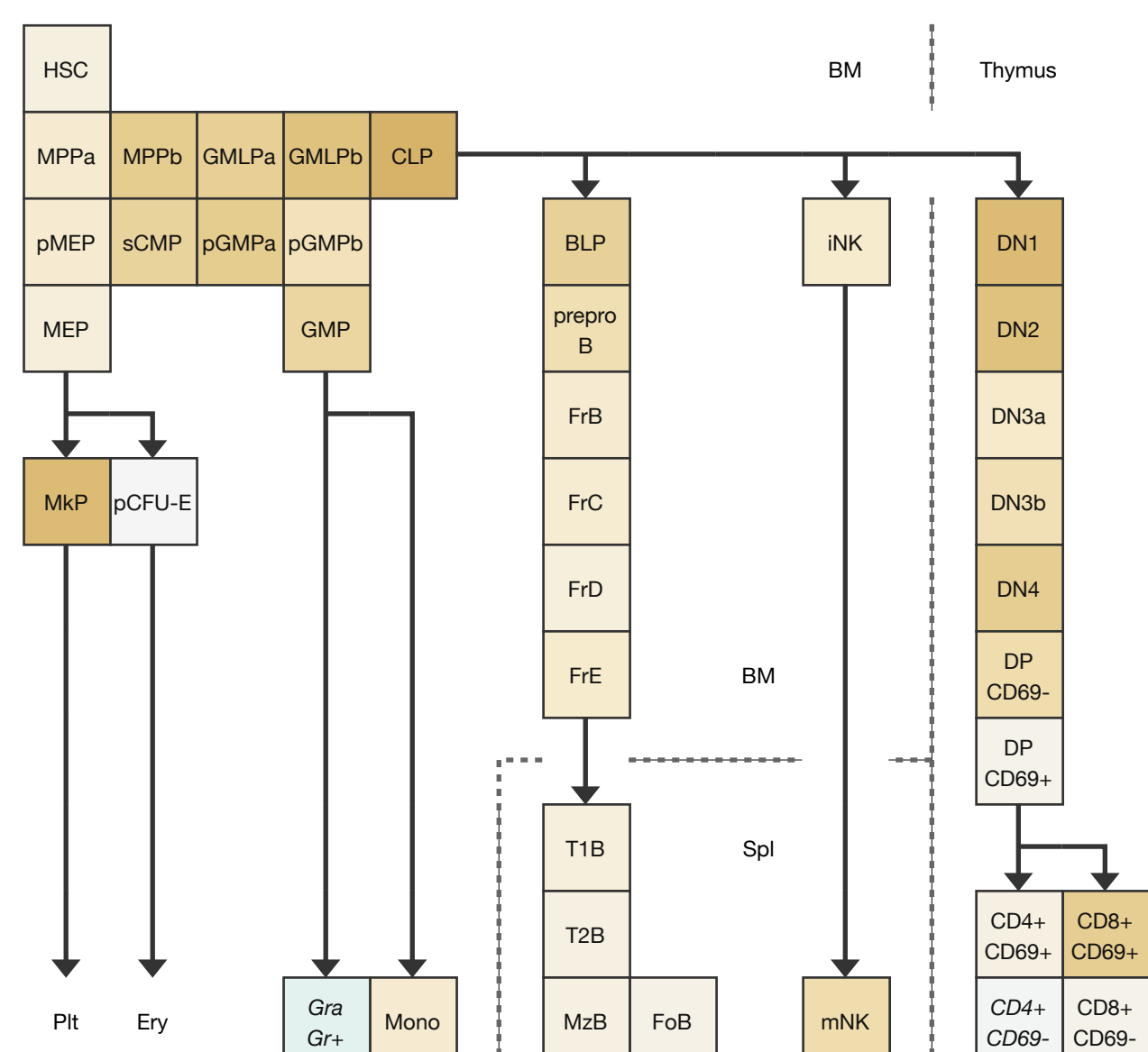
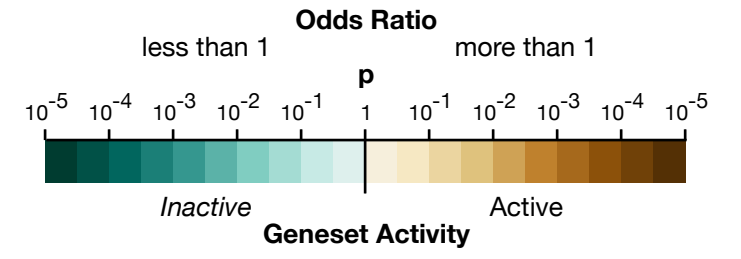
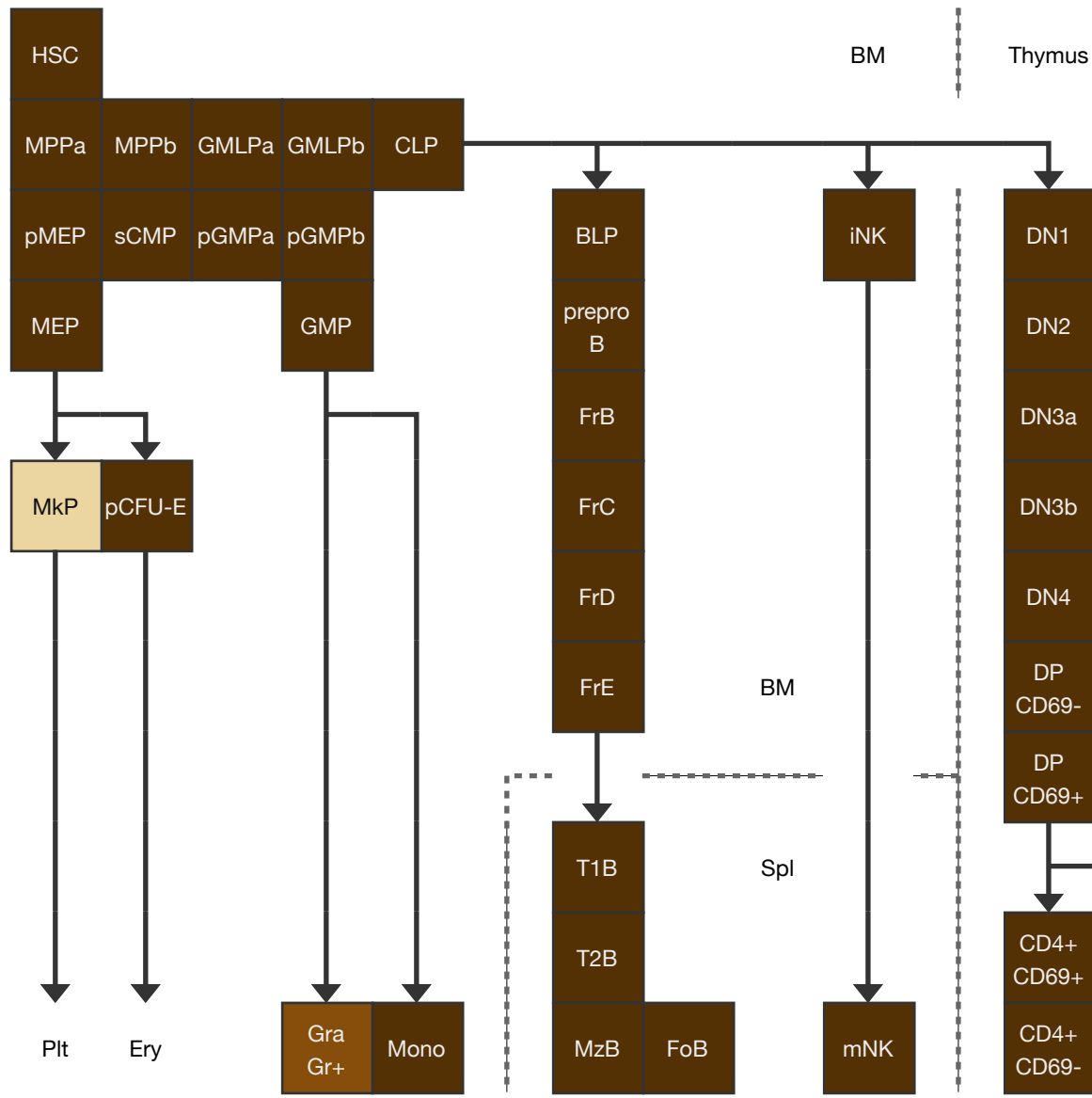


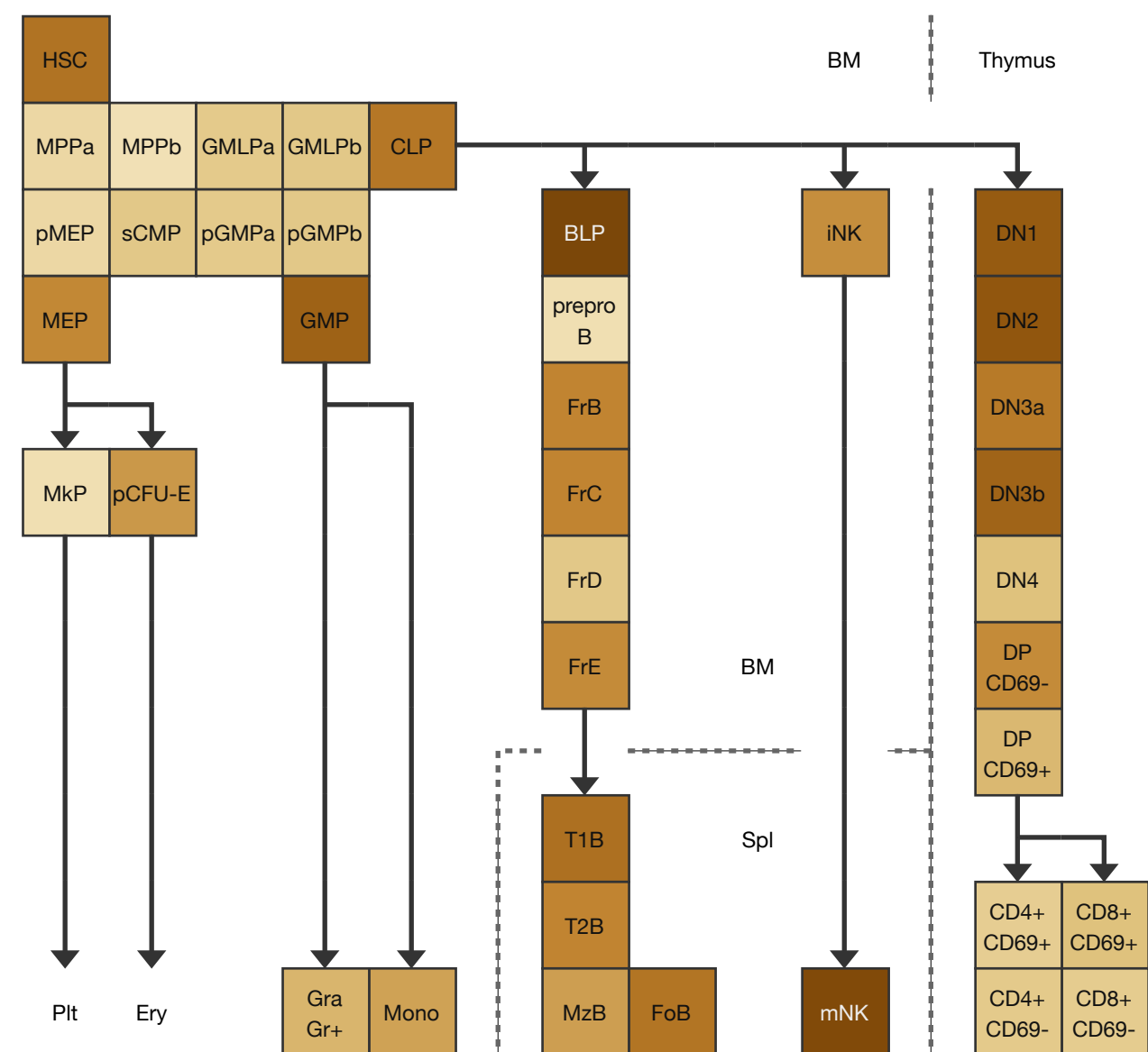
Figure S5C



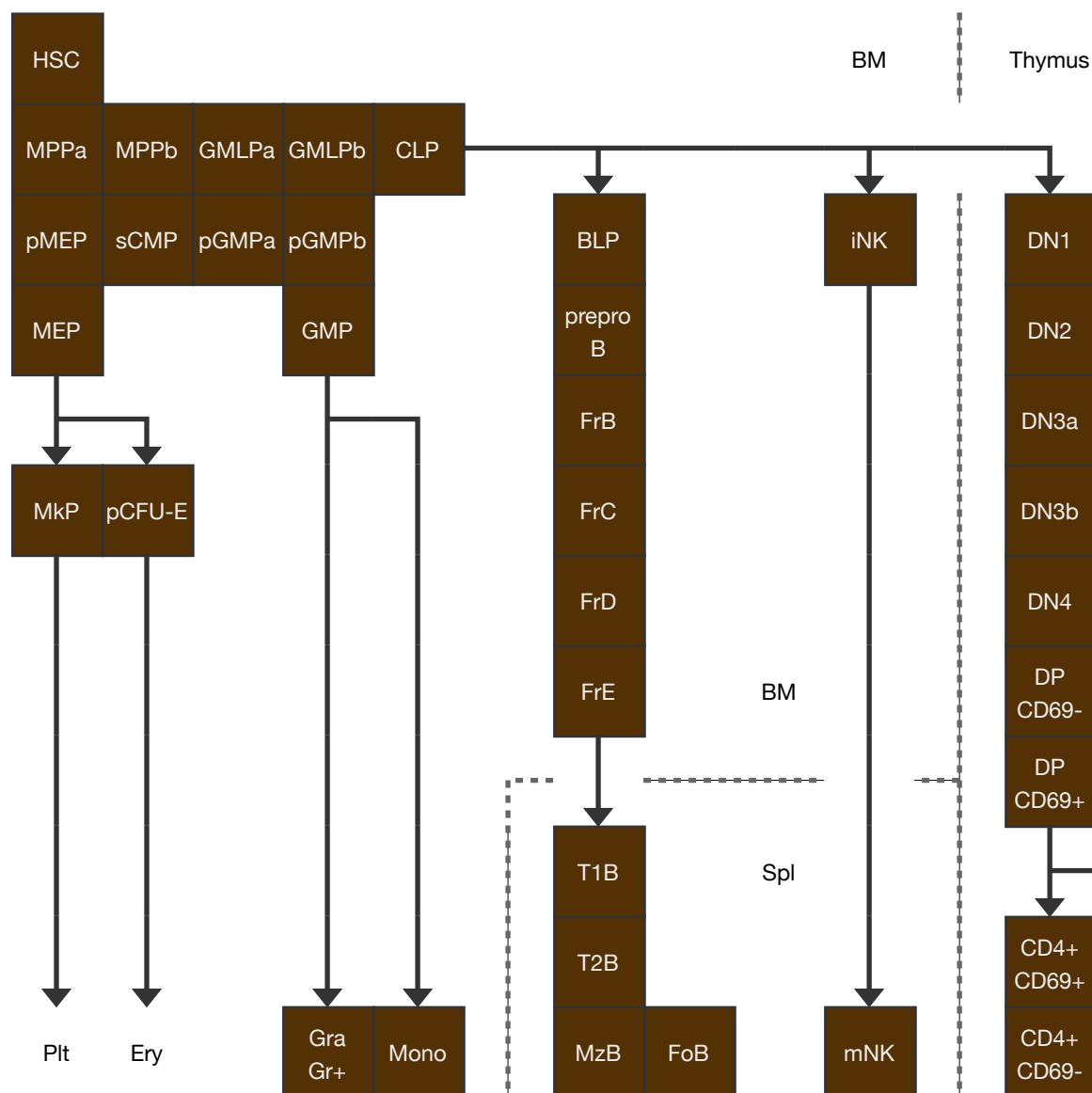
Pax5/Runx unique sites geneset



PYp5' Fd) nf a m] 'ka] k geneset



Pax5/Runx1/Ikzf1 unique sites geneset



Runx1/Ikzf1 unique geneset

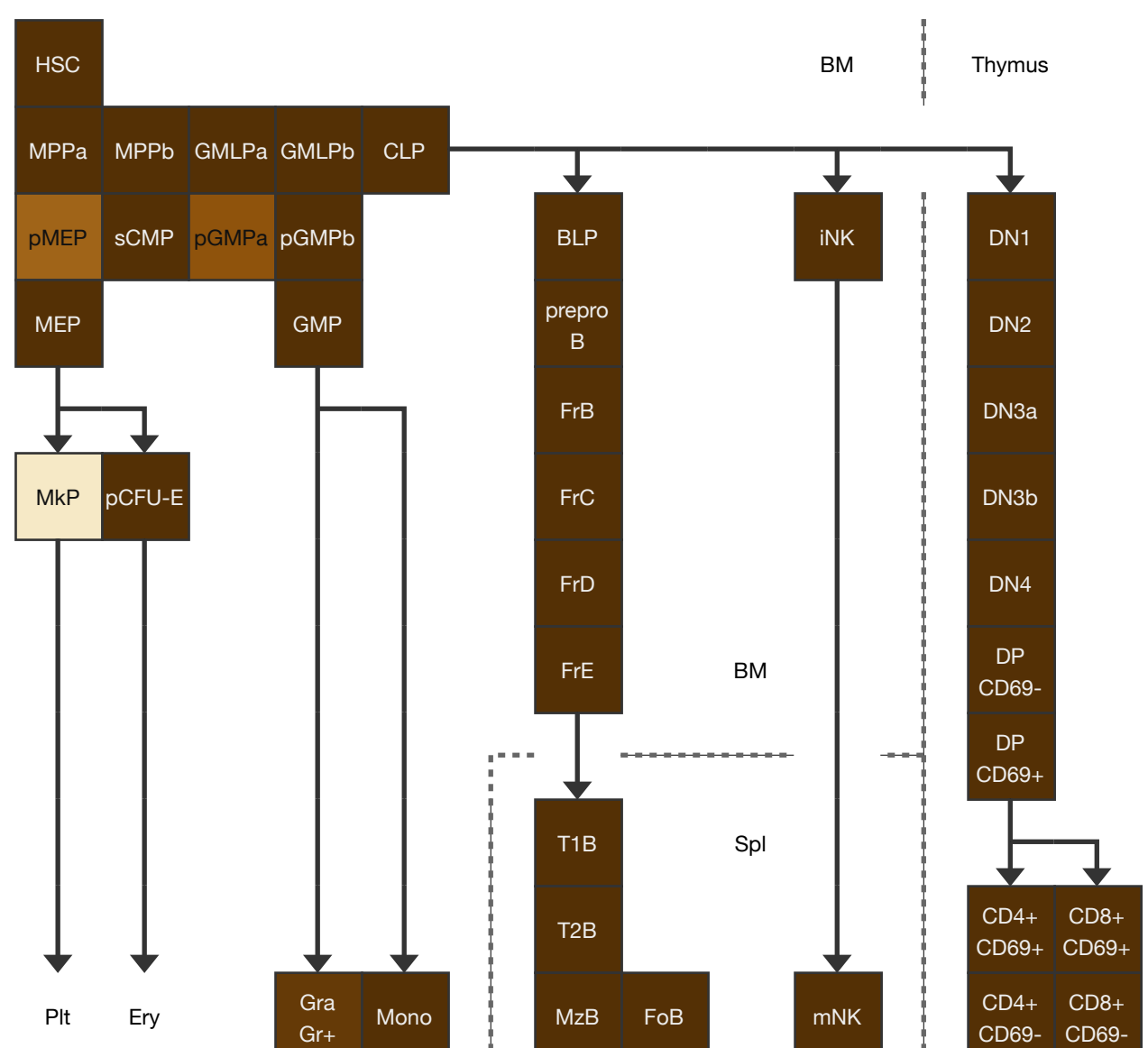
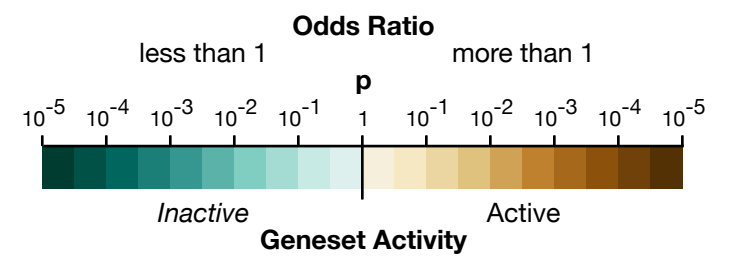
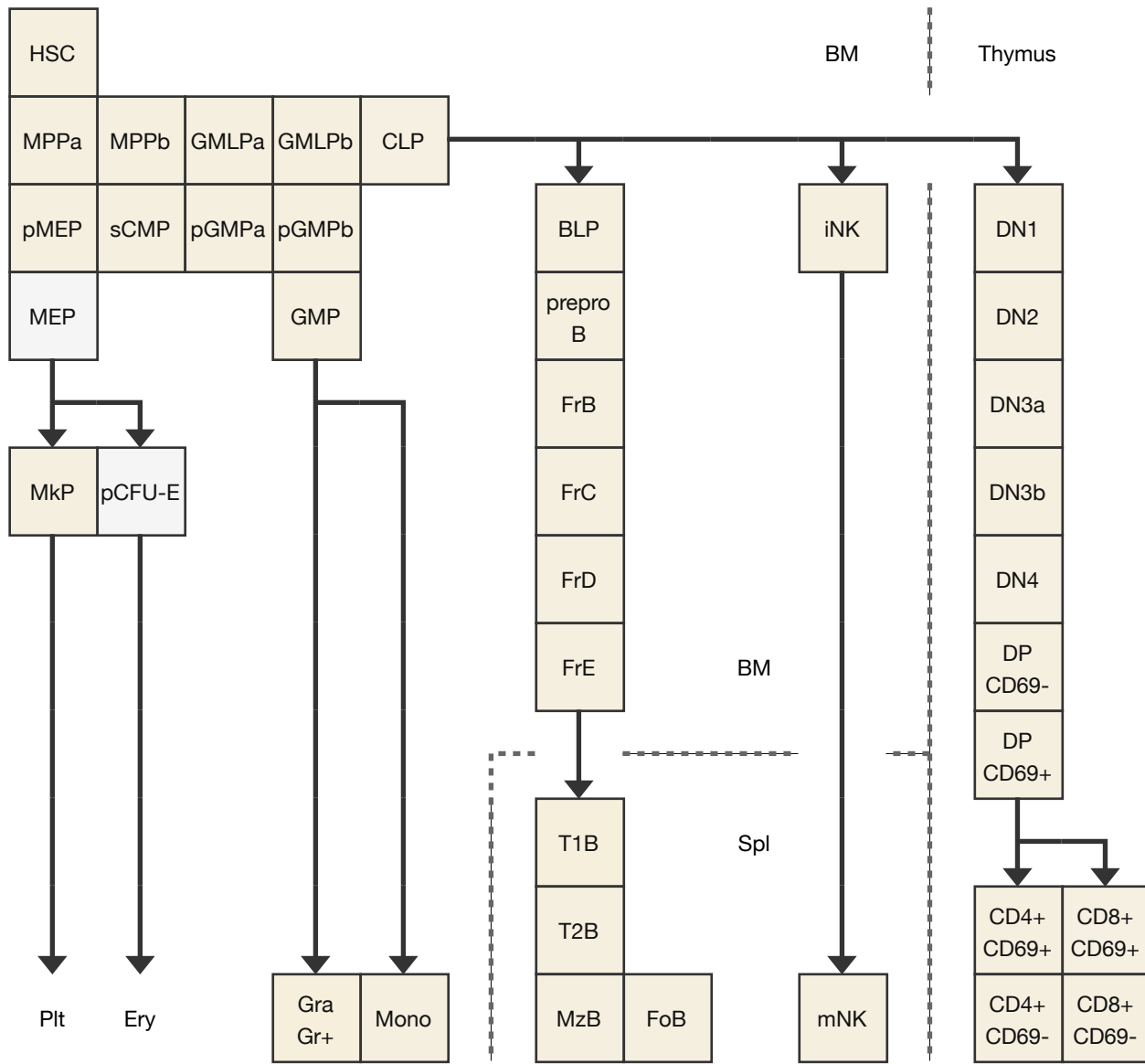


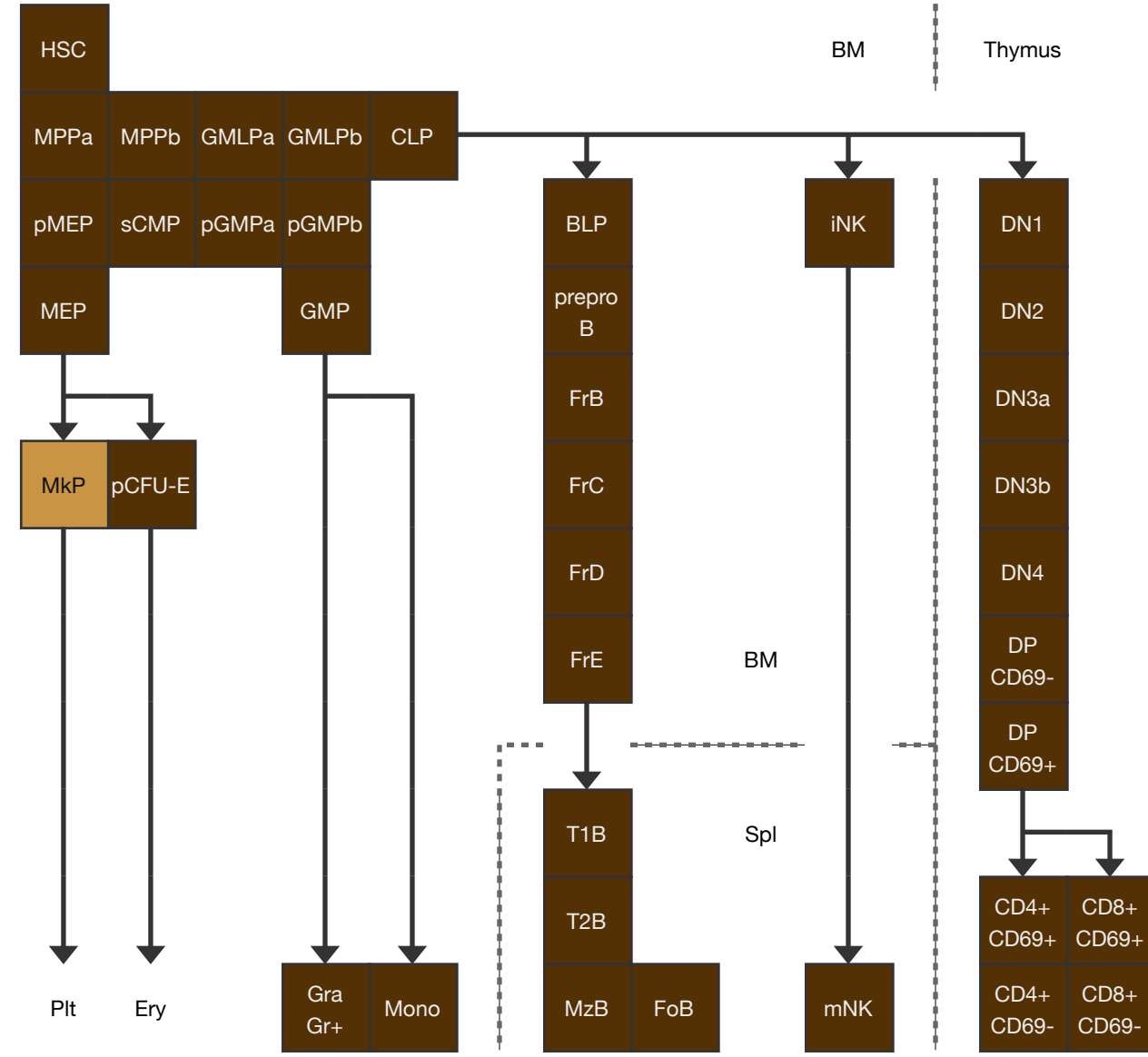
Figure S5D



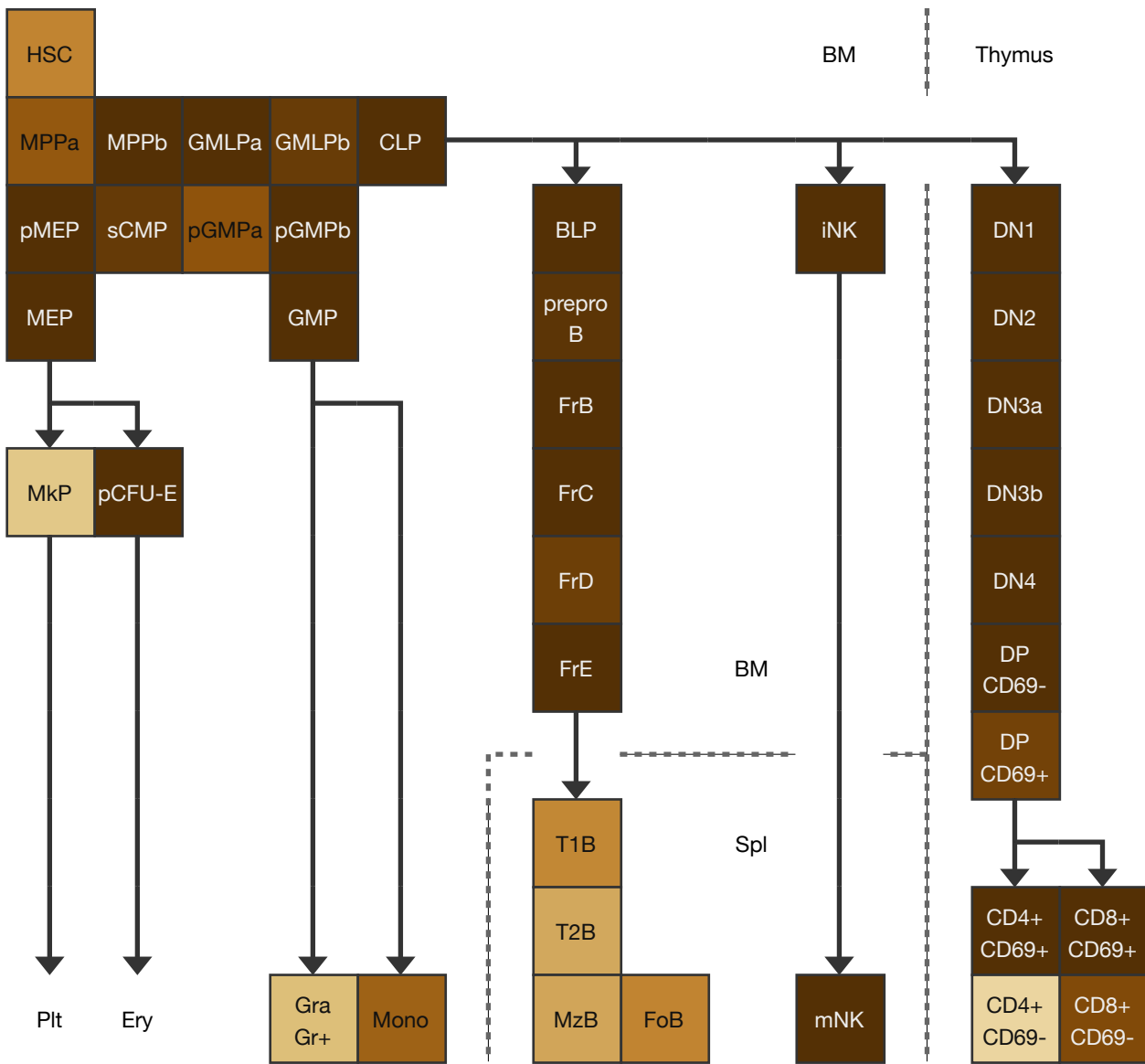
Fli1 expression



Fli1 unique sites geneset



Ar^1 mf a m] ka] geneset



Pax5/Fli1 unique sites geneset

