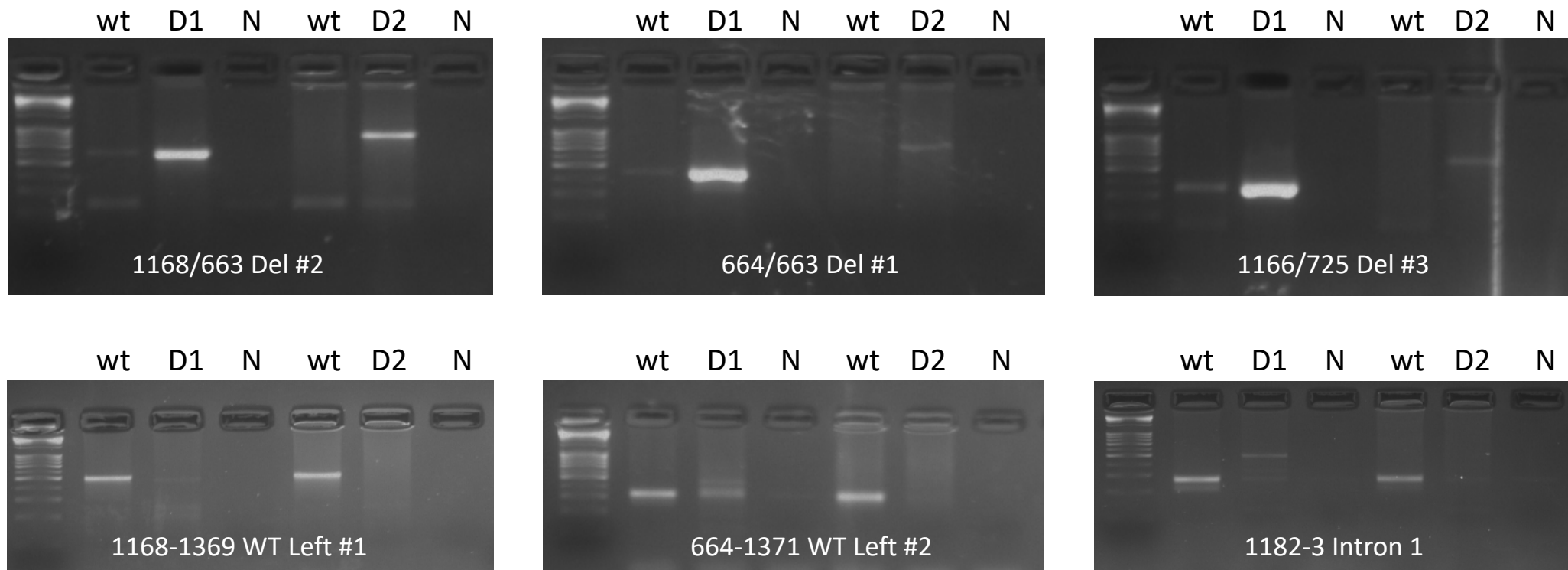
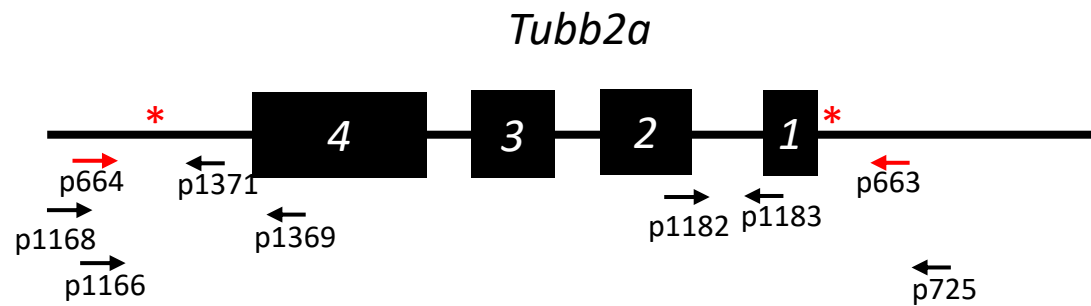


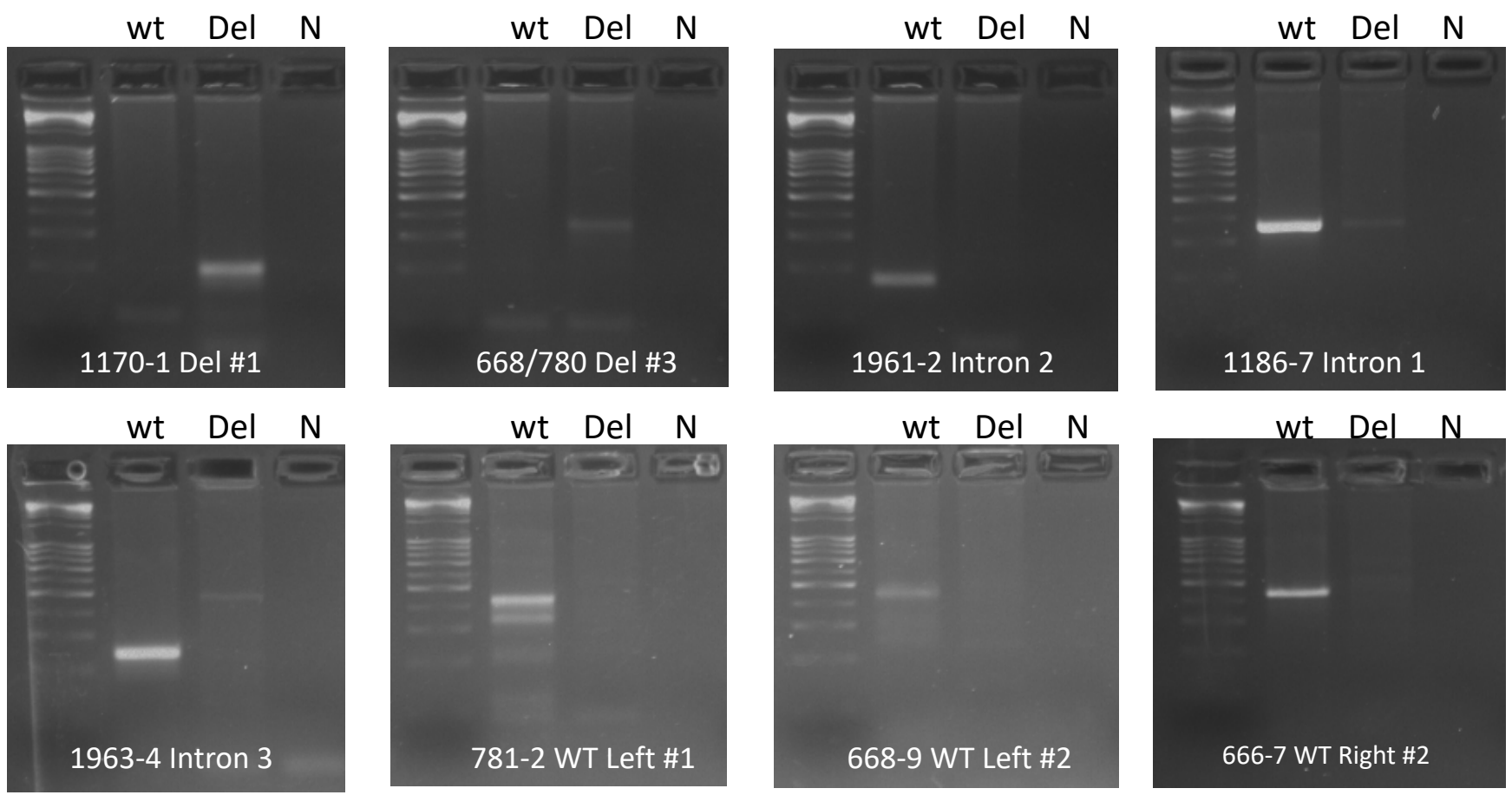
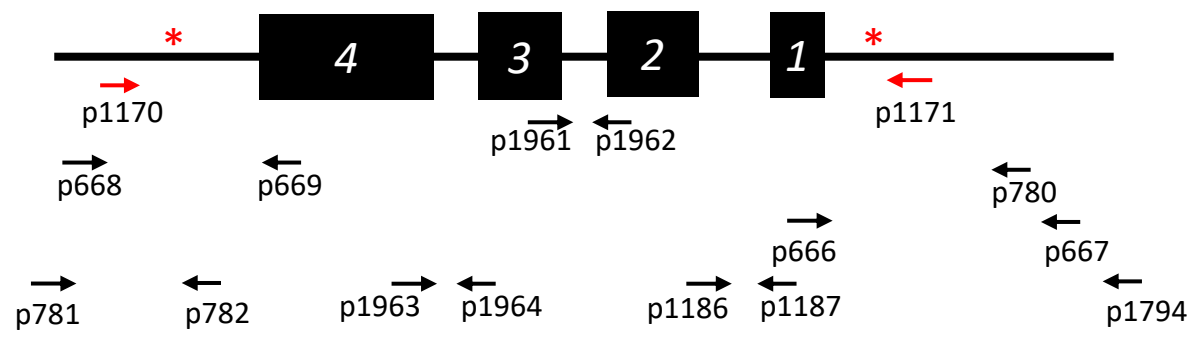
Wt: Wild-type
 D1: D3963 homozygote
 N: negative control
 D2: D4222 homozygote



S2 Fig. (A) Extended PCR analysis of *Tubb2a* deletion alleles.

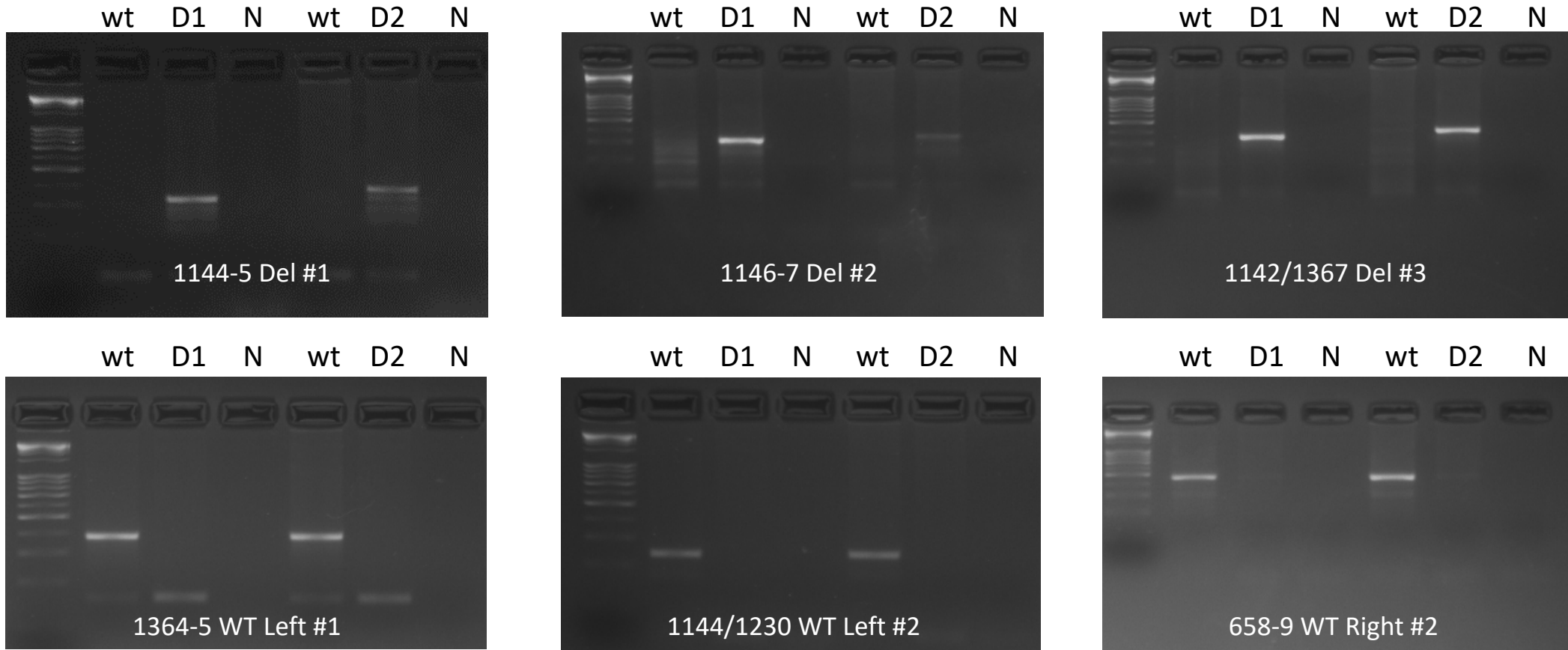
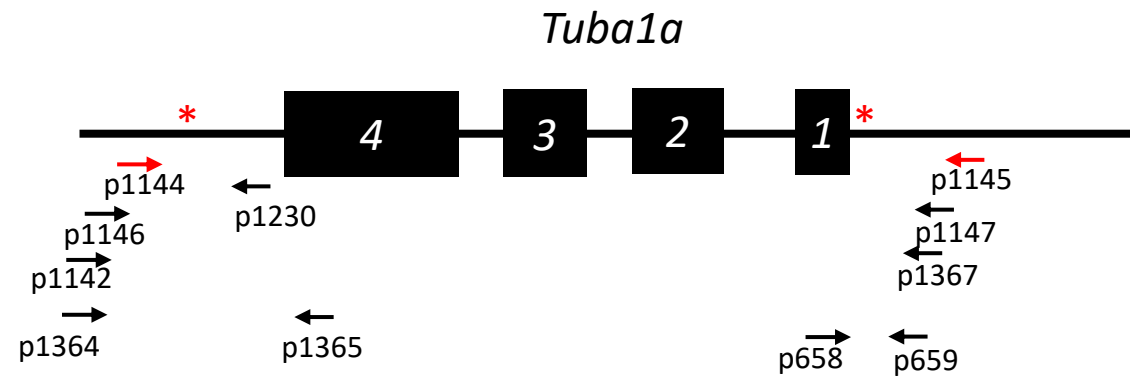
Tubb2b

Wt: Wild-type
Del: D4185 homozygote
N: negative control



S2 Fig. (B) Extended PCR analysis of *Tubb2b* deletion alleles.

Wt: Wild-type
 D1: D4304 homozygote
 N: negative control
 D2: D4262 homozygote



S2 Fig. (C) Extended PCR analysis of *Tuba1a* deletion alleles.