

Speeded-Up Focus Control of Electrically Tunable Lens by Sparse Optimization

Daisuke Iwai^{1,*,+}, Hidetoshi Izawa^{1,+}, Kenji Kashima^{2,+}, Tatsuyuki Ueda¹, and Kosuke Sato¹

¹Osaka University, Graduate School of Engineering Science, Toyonaka, 560-8531, Japan

²Kyoto University, Graduate School of Informatics, Kyoto, 606-8501, Japan

*daisuke.iwai@sys.es.osaka-u.ac.jp

+these authors contributed equally to this work

Supplementary Material

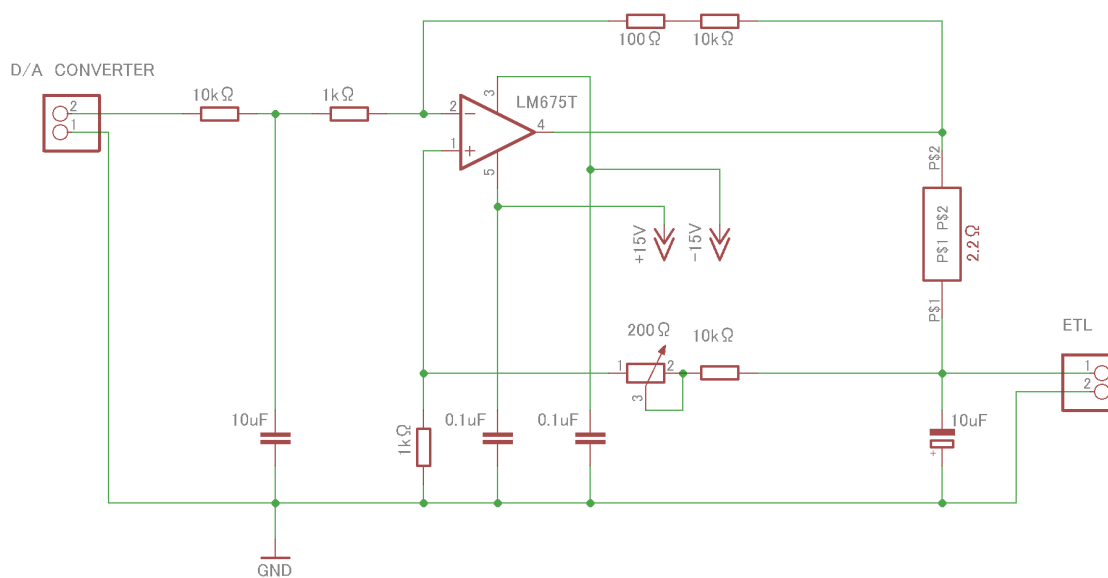


Figure 1. The diagram of the custom amplifier circuit.