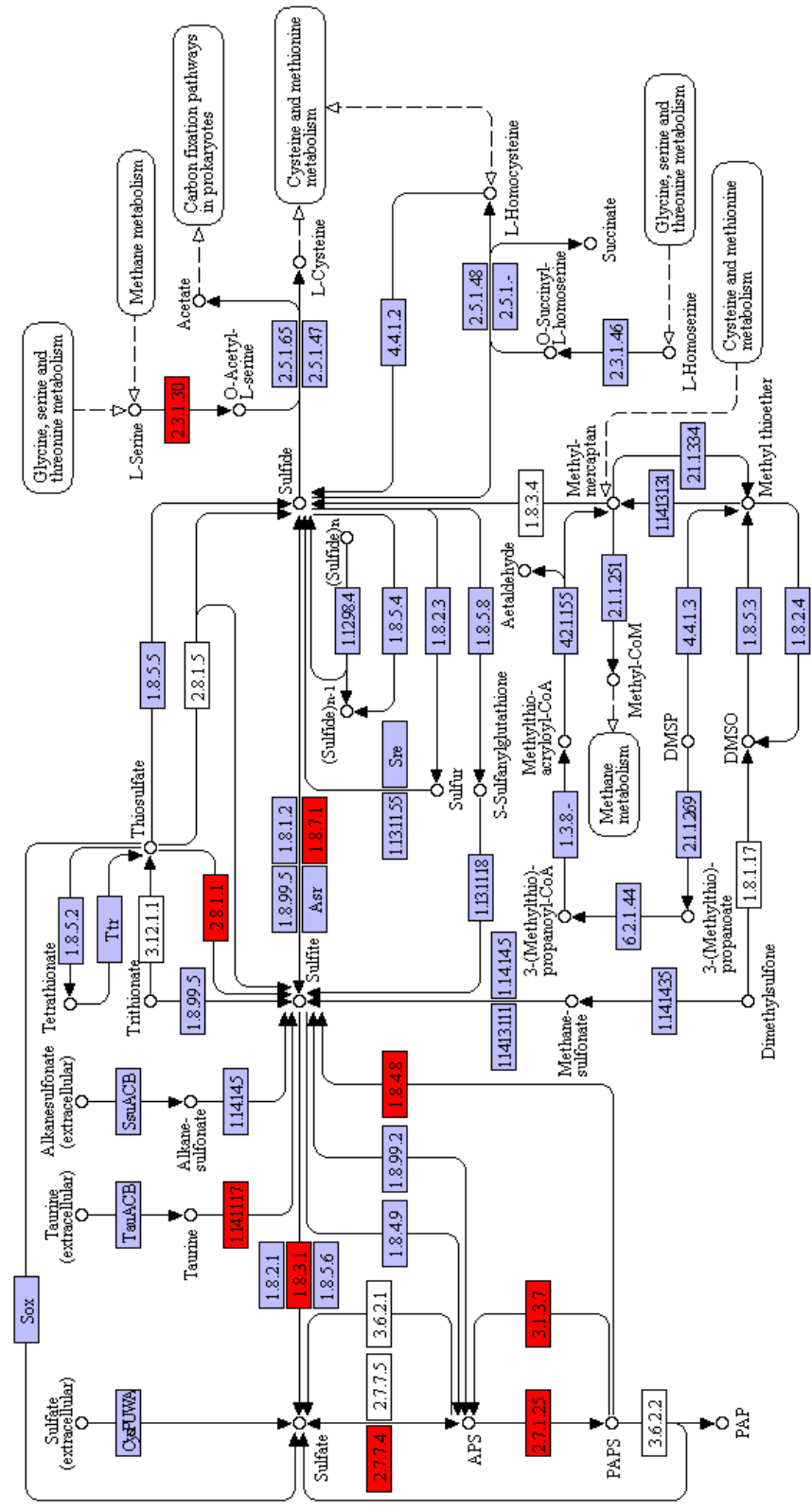
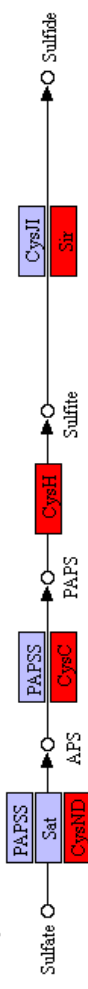


**(a)** SULFUR METABOLISM



Oxidation state +6 +4 +2 -2

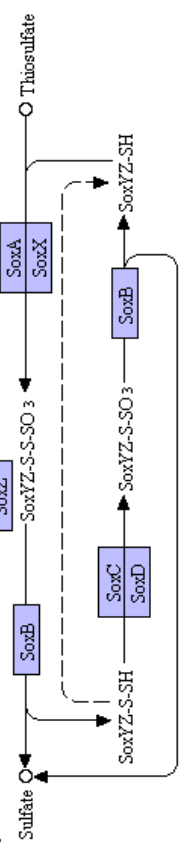
**Assimilatory sulfate reduction**



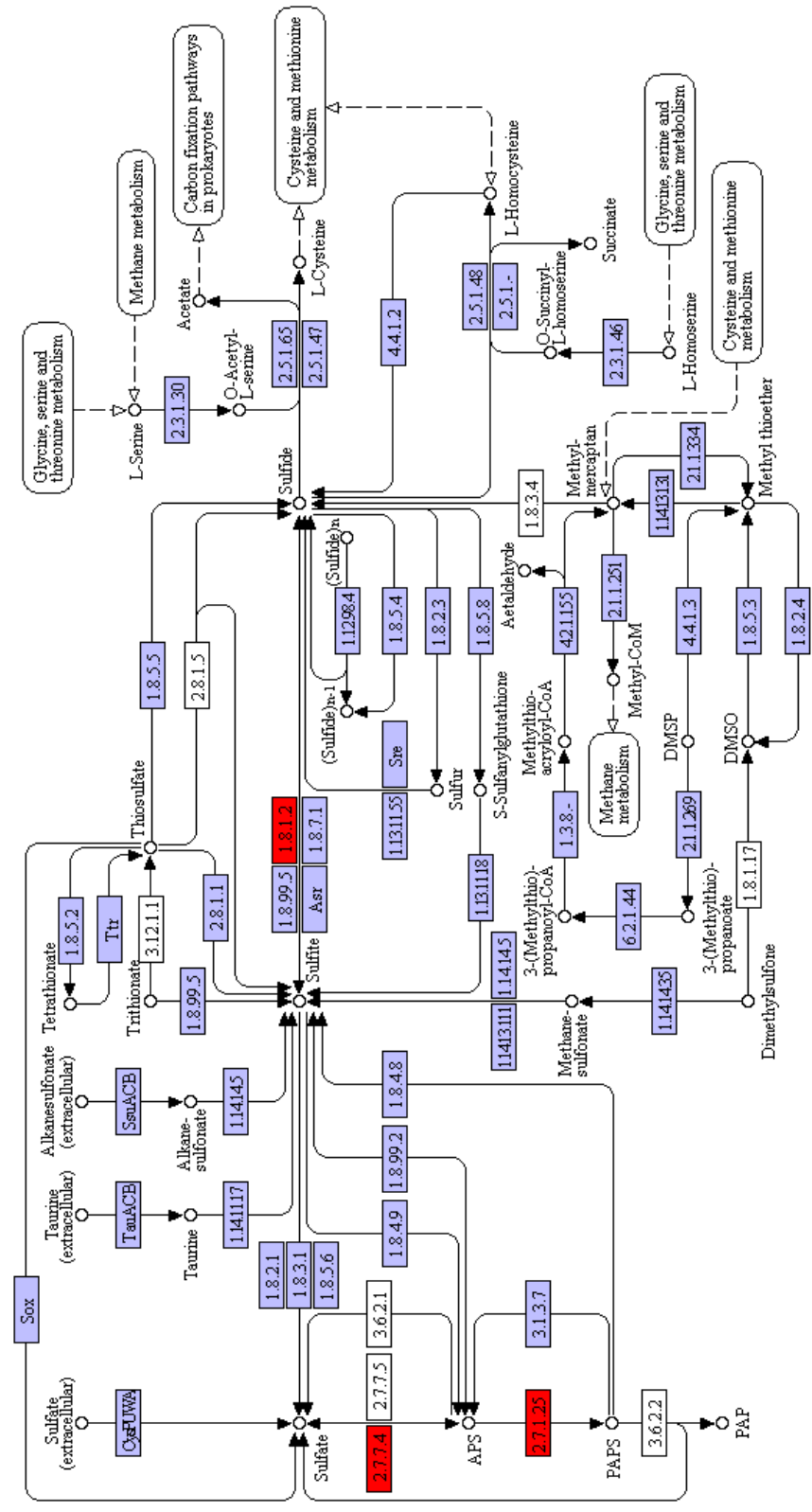
**Dissimilatory sulfate reduction and oxidation**



**SOX system**

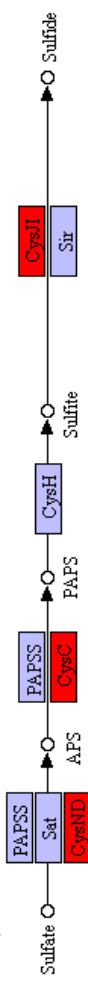


**(b)**  
**SULFUR METABOLISM**



Oxidation state +6 +4 +2 -2

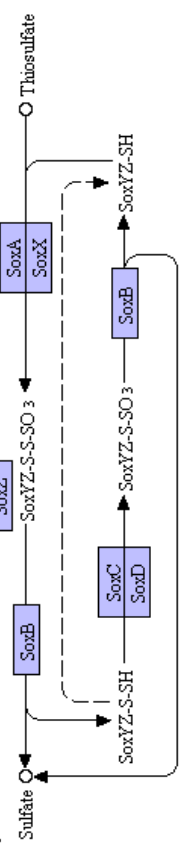
**Assimilatory sulfate reduction**



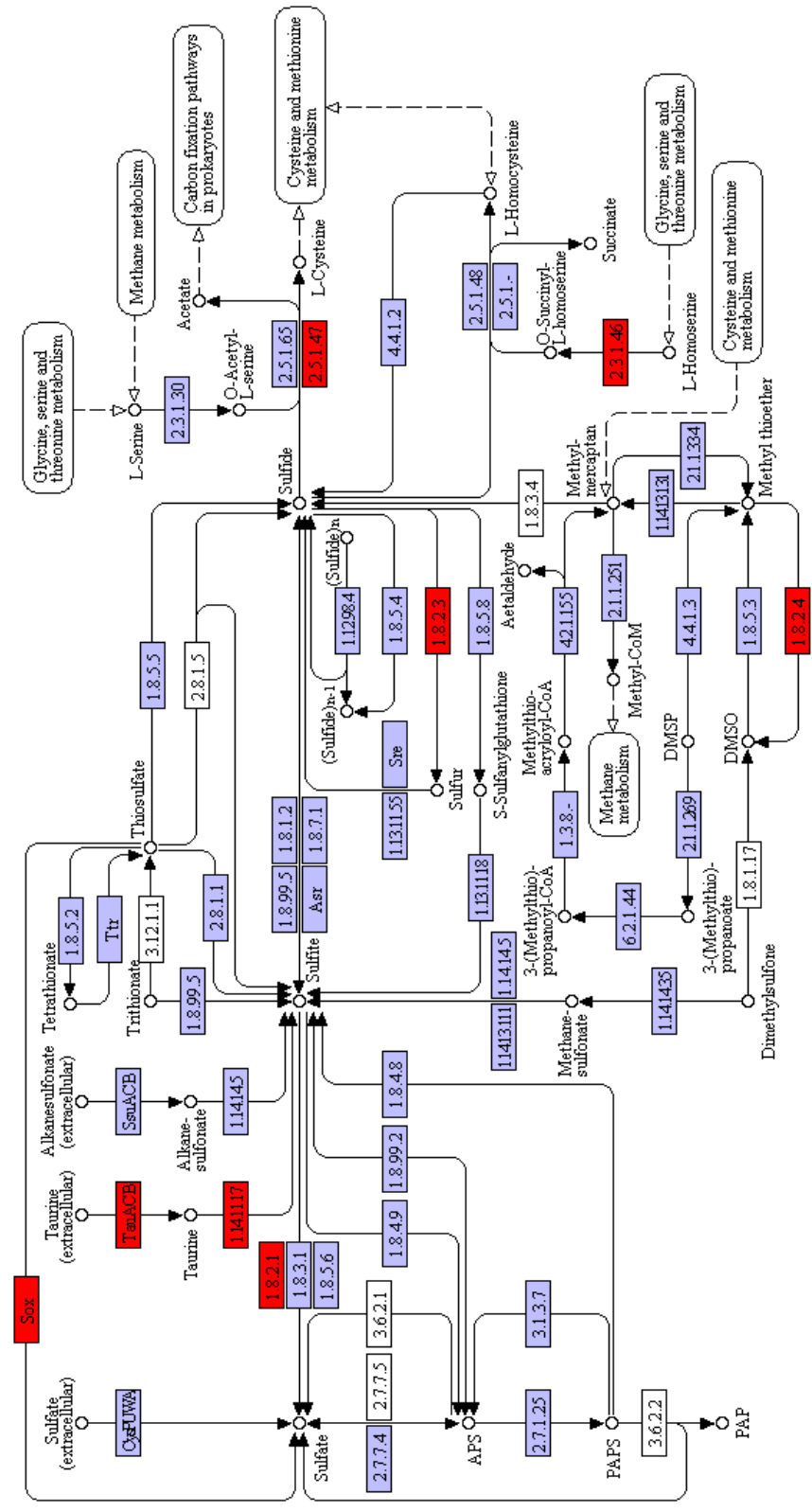
**Dissimilatory sulfate reduction and oxidation**



**SOX system**

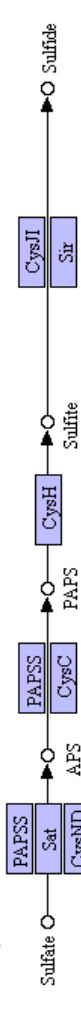


(C) SULFUR METABOLISM



Oxidation state +6 +4 +2 -2

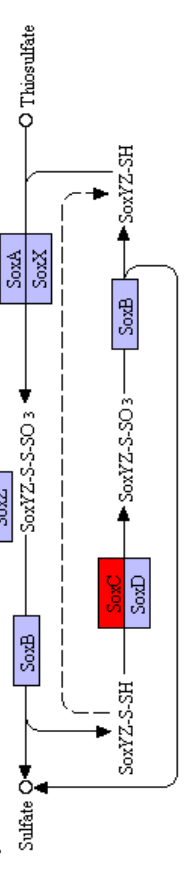
Assimilatory sulfate reduction



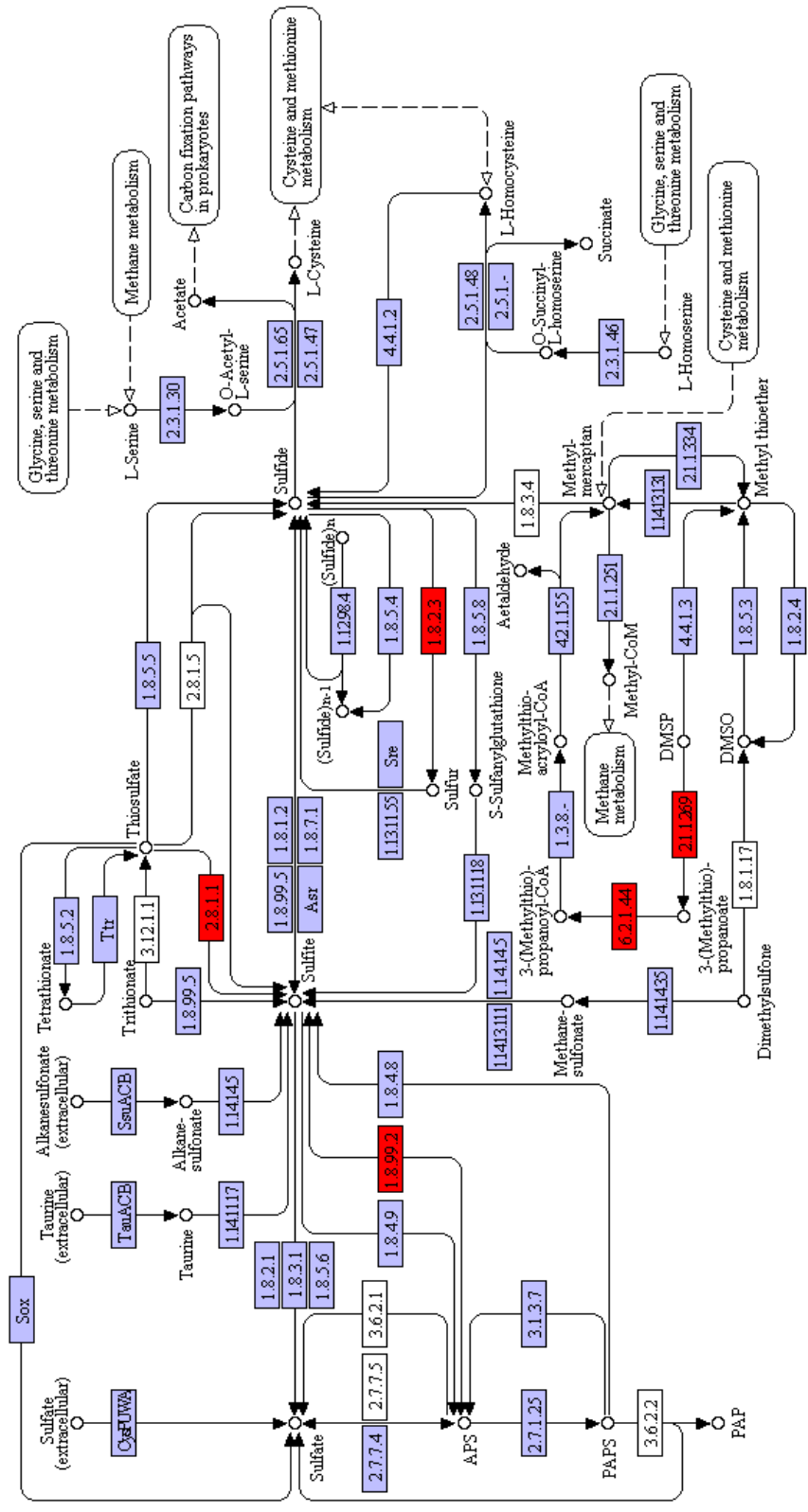
Dissimilatory sulfate reduction and oxidation



SOX system

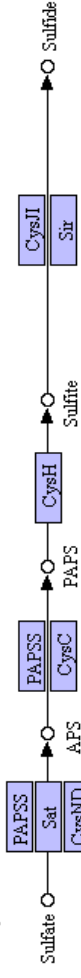


(d) SULFUR METABOLISM



Oxidation state +6 +4 +2 -2

Assimilatory sulfate reduction



Dissimilatory sulfate reduction and oxidation



SOX system

