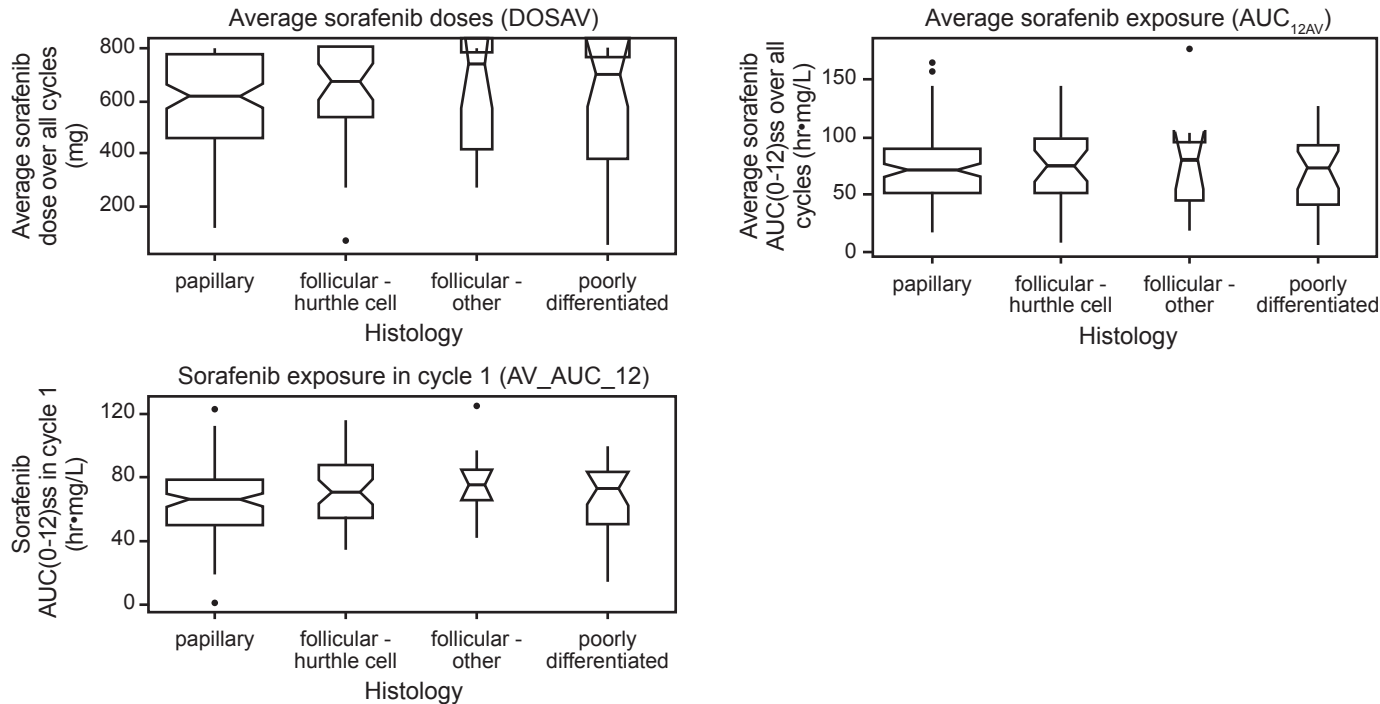


Figure S6. Distribution of the average sorafenib dose (DOSAV), the average sorafenib exposure over the 12-hour dosing interval during the entire treatment period (AUC_{12AV}), and the average sorafenib exposure in cycle 1 (AV_AUC_12) among (A) differentiated thyroid cancer histology categories (papillary, follicular-hurthle cell, follicular – other and poorly differentiated) and (B) age quartiles. Each box covers the interquartile range (IQR), with the median as the vertical black line inside the box, and with the whiskers extending to the last data point within the 1.5 times the IQR. Data outside 1.5 x IQR are shown individually.

A



B

