

RESEARCH REPORTS

Clinical

R.M. Cruz^{1,2}, J.K. Hartsfield, Jr.^{3,5},
G. Falcão-Alencar^{1,4}, D.L. Koller⁵, R.W. Pereira⁶,
J. Mah⁷, I. Ferrari¹, and S.F. Oliveira^{1*}

¹Laboratório de Genética, Departamento de Genética e Morfologia, Campus Darcy Ribeiro, Universidade de Brasília, Asa Norte, CEP 70910900 Brasília, DF, Brazil; ²Universidade Paulista (UNIP), Brasília, DF, Brazil; ³Department of Oral Health Science, College of Dentistry, University of Kentucky, Lexington, KY, USA; ⁴Programa de Pós-Graduação em Ciências Médicas, Faculdade de Medicina, Universidade de Brasília, Brasília, DF, Brazil; ⁵Department of Medical and Molecular Genetics, Indiana University School of Medicine, Indianapolis, IN, USA; ⁶Programa de Pós-Graduação em Ciências Genômicas e Biotecnologia, Universidade Católica de Brasília, Brasília, DF, Brazil; and ⁷Department of Orthodontics and Craniofacial Molecular Biology, University of Southern California, Los Angeles, CA, USA; *corresponding author, silviene.oliveira@gmail.com.br or silviene@unb.br

J Dent Res DOI: 10.1177/0022034511416668

APPENDIX

Exclusion of Class III Malocclusion Candidate Loci in Brazilian Families

Appendix Table 1. Cephalometric Measurements in Each Family

Family	Age	Gender	SNA	SNB	ANB	Pos-ANS	Go-Gn	SNGoGn	Gon. Angle
1*	47y11m	Male	83	83	0	105	102	44	135
1	36y3m	Female	83	84	-1	86	86	36	142
1	15y2m	Female	79	79	0	82	85	41	137
1	12y1m	Female	80	77	3	85	88	50	145
1	4y10m	Female	78	78	0	74	65	34	132
1	9y1m	Male	75	77	-2	77	78	42	133
2	55y11m	Female	80	82	-2	85	87	41	136
2*	29y10m	Female	85	86	-1	91	92	40	138
3	42y3m	Male	86	87	-1	100	94	29	135
3	6y9m	Male	85	86	-1	90	80	27	133
4	80y0m	Male	80	86	-6	90	87	27	130
4	55y11m	Female	87	90	-3	88	85	25	129
4	39y2m	Female	83	86	-3	89	85	24	131
4	11y2m	Female	80	81	-1	84	78	37	135
5	72y0m	Male	83	85	-2	86	85	32	133
5	45y7m	Male	82	84	-2	97	89	31	136
5	27y10m	Female	78	79	-1	82	80	35	127
5	12y9m	Female	78	81	-3	78	78	35	130
6	54y2m	Female	74	75	-1	79	79	39	125
6	19y1m	Male	82	83	-1	92	84	36	130
6	16y5m	Male	77	73	4	82	77	49	134
7	44y10m	Male	91	94	-3	104	83	13	130
7	19y6m	Male	79	81	-2	98	89	32	126
7*	23y6m	Male	82	84	-2	97	82	32	137
8	38y11m	Male	81	84	-3	94	92	35	137
8	36y11m	Female	80	82	-2	85	81	39	137
8	39y2m	Female	81	83	-2	85	75	38	136
8	16y0m	Female	81	81	0	93	81	35	131
8	27y4m	Male	82	84	-2	87	80	34	132
8	16y11m	Female	78	77	-1	84	77	25	125
8	13y7m	Female	78	78	0	82	82	45	135
9	39y9,	Male	75	77	-2	94	93	39	136
9	38y9m	Female	77	77	0	81	78	44	134
9	17y11m	Male	85	88	-3	93	92	32	134
9	16y10m	Male	78	80	-2	89	82	37	129
10	56y6m	Male	86	89	-3	90	84	24	134
10	48y6m	Female	80	81	-1	85	77	37	135
10	58y3m	Female	76	77	-1	85	70	43	144
10	58y3m	Female	81	81	0	90	80	41	148
10	25y4m	Female	76	79	-3	82	81	32	129
10	21y4m	Male	82	85	-3	89	92	30	125
10	19y8m	Male	83	85	-2	90	94	31	128

*Records after orthognathic surgery.

Appendix Table 2. Values of LOD Score Estimated to D1S234 for Each Brazilian Family

D1S234	θ Values						
	0.00	0.01	0.05	0.10	0.20	0.30	0.40
Family 01	-1.92	-0.91	-0.32	-0.11	0.01	0.02	0.01
Family 02	0.00	0.00	0.00	0.00	0.00	0.00	0.00
Family 03	0.01	0.01	0.01	0.01	0.01	0.00	0.00
Family 04	-2.40	-2.32	-1.64	-1.12	-0.59	-0.30	-0.11
Family 05	-0.27	-0.26	-0.22	-0.18	-0.11	-0.07	-0.03
Family 06	-2.63	-1.38	-0.72	-0.44	-0.19	-0.08	-0.02
Family 07	-2.40	-1.36	-0.71	-0.44	-0.19	-0.08	-0.02
Family 08	-6.20	-2.78	-1.45	-0.91	-0.41	-0.17	-0.04
Family 09	-0.05	-0.05	-0.05	-0.06	-0.07	-0.06	-0.04
Family 10	0.02	0.01	-0.01	-0.03	-0.03	-0.02	-0.01

Appendix Table 3. Values of LOD Score Estimated to D4S3038 for Each Brazilian Family

D4S3038	θ Values						
	0.00	0.01	0.05	0.10	0.20	0.30	0.40
Family 01	0.65	0.63	0.56	0.46	0.28	0.13	0.03
Family 02	0.00	0.00	0.00	0.00	0.00	0.00	0.00
Family 03	-0.01	-0.01	-0.01	-0.01	-0.01	0.00	0.00
Family 04	0.12	0.12	0.11	0.10	0.08	0.05	0.03
Family 05	-0.74	-0.71	-0.60	-0.49	-0.32	-0.18	-0.08
Family 06	0.00	0.00	0.00	0.00	0.00	0.00	0.00
Family 07	0.30	0.29	0.26	0.21	0.13	0.06	0.02
Family 08	-2.01	-0.72	-0.14	0.03	0.09	0.04	0.01
Family 09	0.07	0.07	0.05	0.03	0.00	-0.02	-0.02
Family 10	0.17	0.16	0.13	0.10	0.06	0.03	0.01

Appendix Table 4. Values of LOD Score Estimated to D6S1689 for Each Brazilian Family

D6S1689	θ Values						
	0.00	0.01	0.05	0.10	0.20	0.30	0.40
Family 01	-5.08	-2.82	-1.50	-0.94	-0.41	-0.16	-0.04
Family 02	0.00	0.00	0.00	0.00	0.00	0.00	0.00
Family 03	0.03	0.03	0.04	0.04	0.03	0.02	0.01
Family 04	0.71	0.69	0.62	0.54	0.36	0.20	0.06
Family 05	0.23	0.23	0.22	0.21	0.18	0.13	0.07
Family 06	0.00	0.00	0.00	0.00	0.00	0.00	0.00
Family 07	0.30	0.29	0.26	0.21	0.13	0.06	0.02
Family 08	-3.55	-2.27	-1.11	-0.61	-0.21	-0.05	-0.01
Family 09	0.57	0.55	0.50	0.44	0.32	0.20	0.09
Family 10	-0.26	-0.24	-0.19	-0.13	-0.06	-0.02	0.00

Appendix Table 5. Values of LOD Score Estimated to D7S503 for Each Brazilian Family

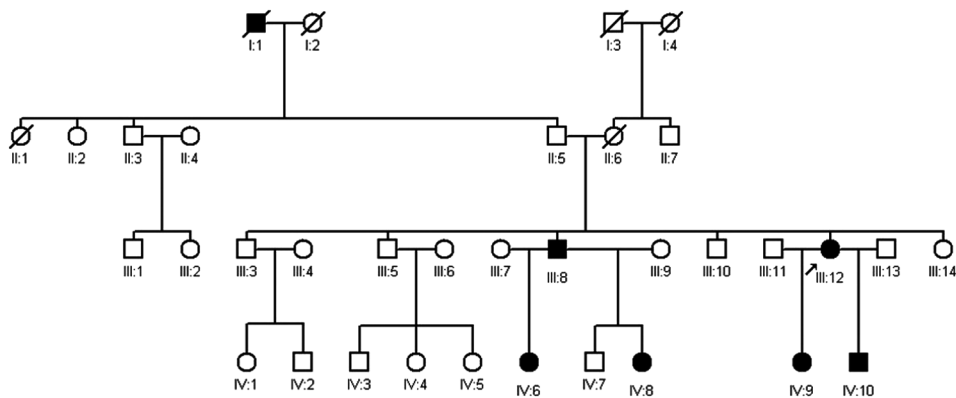
D7S503	θ Values						
	0.00	0.01	0.05	0.10	0.20	0.30	0.40
Family 01	-1.88	-0.87	-0.28	-0.08	0.03	0.03	0.01
Family 02	0.00	0.00	0.00	0.00	0.00	0.00	0.00
Family 03	0.02	0.02	0.03	0.03	0.02	0.01	0.00
Family 04	-2.21	-1.24	-0.61	-0.36	-0.15	-0.07	-0.03
Family 05	-0.46	-0.42	-0.30	-0.21	-0.09	-0.03	-0.01
Family 06	0.30	0.29	0.26	0.21	0.13	0.06	0.02
Family 07	0.30	0.29	0.26	0.21	0.13	0.06	0.02
Family 08	-3.77	-1.05	-0.42	-0.21	-0.06	-0.02	0.00
Family 09	0.36	0.35	0.31	0.27	0.18	0.11	0.05
Family 10	-1.60	-1.15	-0.62	-0.38	-0.16	-0.66	-0.01

Appendix Table 6. Values of LOD Score Estimated to D10S1483 for Each Brazilian Family

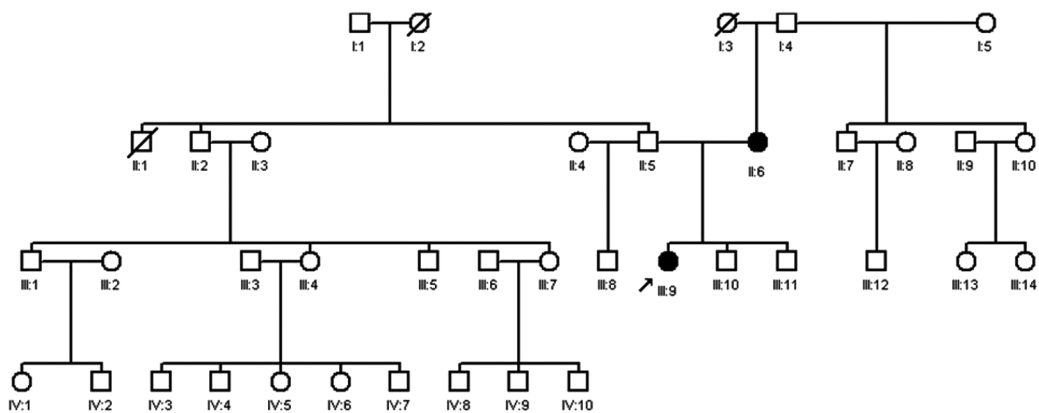
D10S1483	θ Values						
	0.00	0.01	0.05	0.10	0.20	0.30	0.40
Family 01	-4.10	-0.98	-0.34	-0.11	0.03	0.05	0.02
Family 02	0.00	0.00	0.00	0.00	0.00	0.00	0.00
Family 03	0.03	0.03	0.04	0.04	0.03	0.02	0.01
Family 04	-0.50	-0.49	-0.43	-0.36	-0.23	-0.13	-0.05
Family 05	0.10	0.10	0.08	0.06	0.03	0.01	0.00
Family 06	0.00	0.00	0.00	0.00	0.00	0.00	0.00
Family 07	0.00	0.00	0.00	0.00	0.00	0.00	0.00
Family 08	-4.11	-1.38	-0.68	-0.40	-0.16	-0.06	-0.02
Family 09	0.55	0.54	0.49	0.43	0.31	0.19	0.09
Family 10	0.30	0.28	0.21	0.14	0.05	0.02	0.01

Appendix Table 7. Values of LOD Score Estimated to D19S566 for Each Brazilian Family

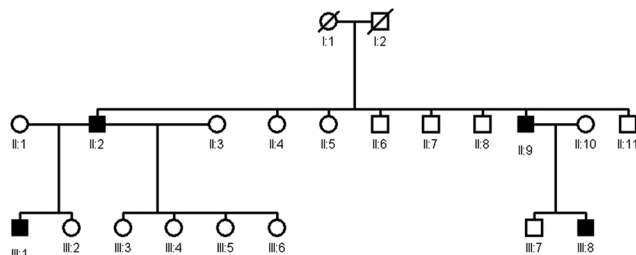
D19S566	θ Values						
	0.00	0.01	0.05	0.10	0.20	0.30	0.40
Family 01	0.64	0.62	0.55	0.46	0.29	0.14	0.04
Family 02	0.00	0.00	0.00	0.00	0.00	0.00	0.00
Family 03	0.02	0.02	0.03	0.03	0.02	0.01	0.00
Family 04	-2.50	-1.16	-0.50	-0.25	-0.04	0.03	0.04
Family 05	-0.34	-0.33	-0.28	-0.24	-0.17	-0.11	-0.05
Family 06	-1.37	-1.10	-0.65	-0.41	-0.18	-0.07	-0.02
Family 07	0.30	0.29	0.26	0.21	0.13	0.06	0.02
Family 08	-2.04	-0.80	-0.22	-0.04	0.02	0.01	0.00
Family 09	-2.21	-1.08	-0.46	-0.23	-0.06	-0.01	0.00
Family 10	-1.71	-1.19	-0.65	-0.42	-0.20	-0.09	0.02



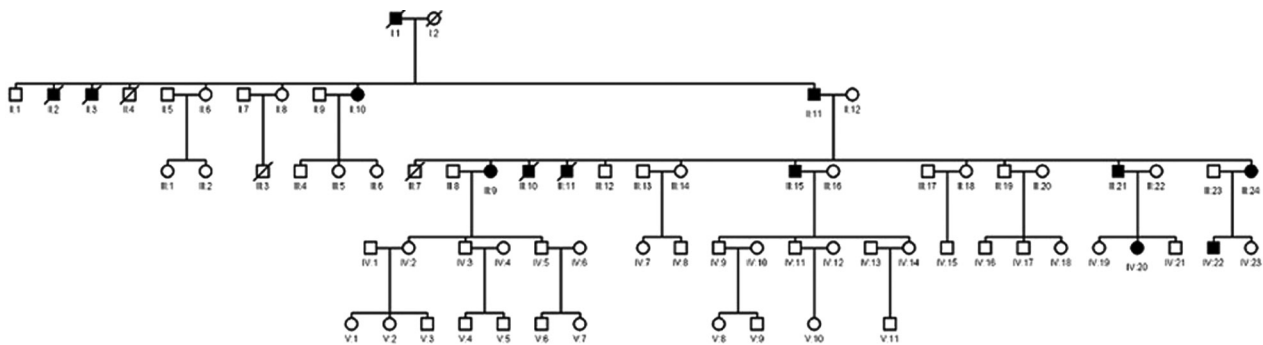
Appendix Figure 1. Family 01. Pedigree of Brazilian family 01 with Class III malocclusion.



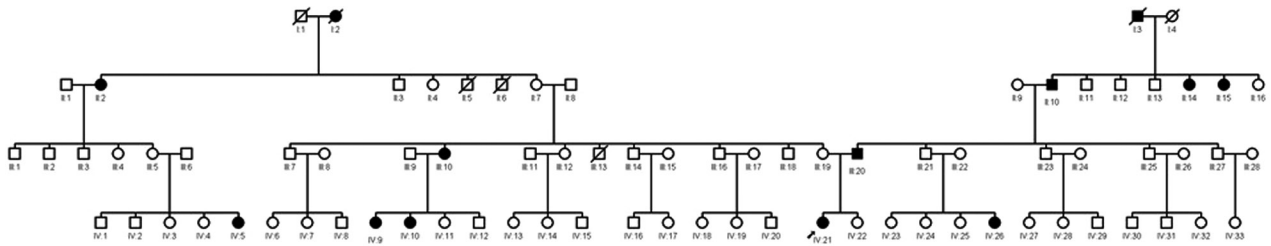
Appendix Figure 2. Family 02. Pedigree of Brazilian family 02 with Class III malocclusion.



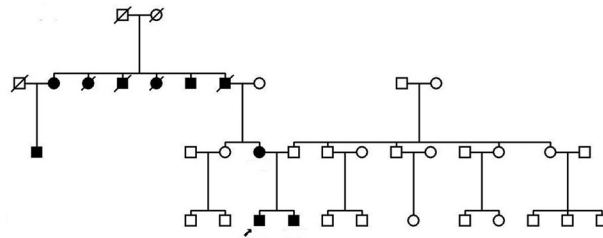
Appendix Figure 3. Family 03. Pedigree of Brazilian family 03 with Class III malocclusion.



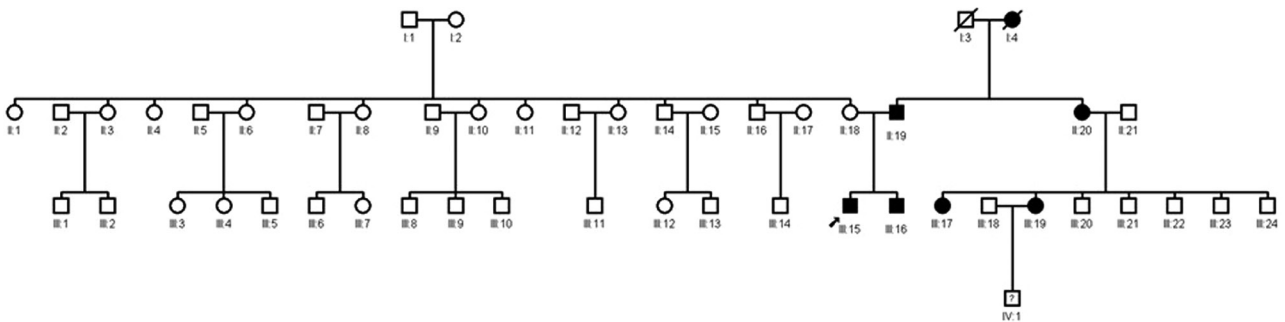
Appendix Figure 4. Family 04. Pedigree of Brazilian family 04 with Class III malocclusion.



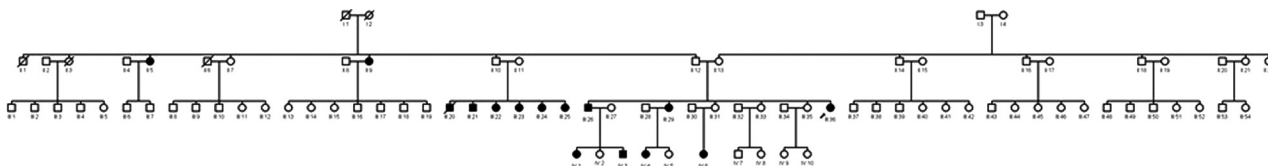
Appendix Figure 5. Family 05. Pedigree of Brazilian family 05 with Class III malocclusion.



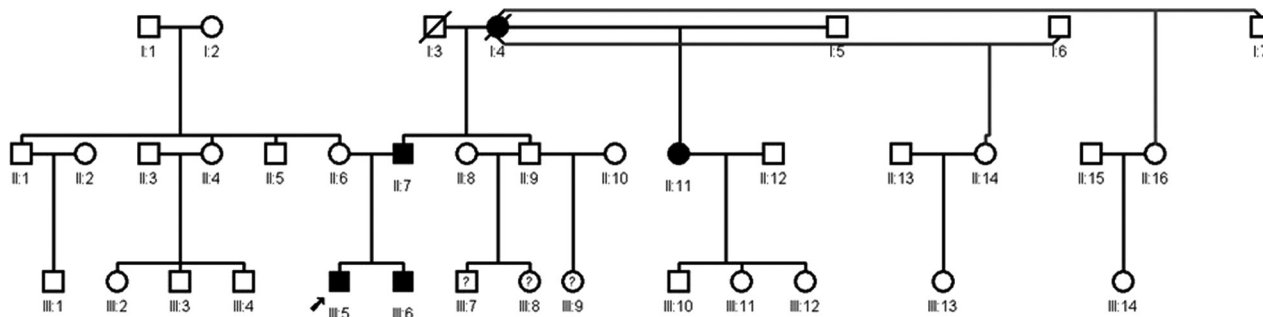
Appendix Figure 6. Family 06. Pedigree of Brazilian family 06 with Class III malocclusion.



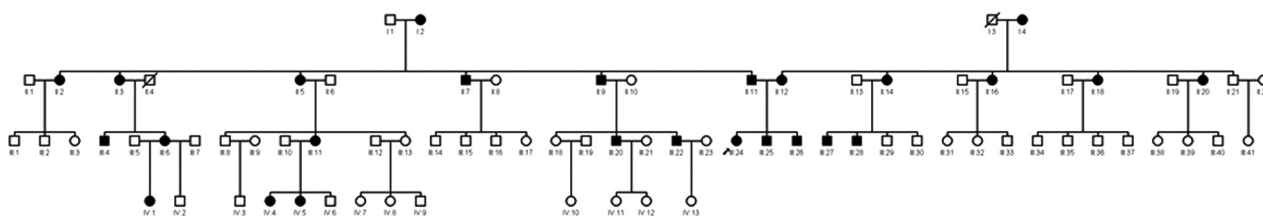
Appendix Figure 7. Family 07. Pedigree of Brazilian family 07 with Class III malocclusion.



Appendix Figure 8. Family 08. Pedigree of Brazilian family 08 with Class III malocclusion.



Appendix Figure 9. Family 09. Pedigree of Brazilian family 09 with Class III malocclusion.



Appendix Figure 10. Family 10. Pedigree of Brazilian family 10 with Class III malocclusion