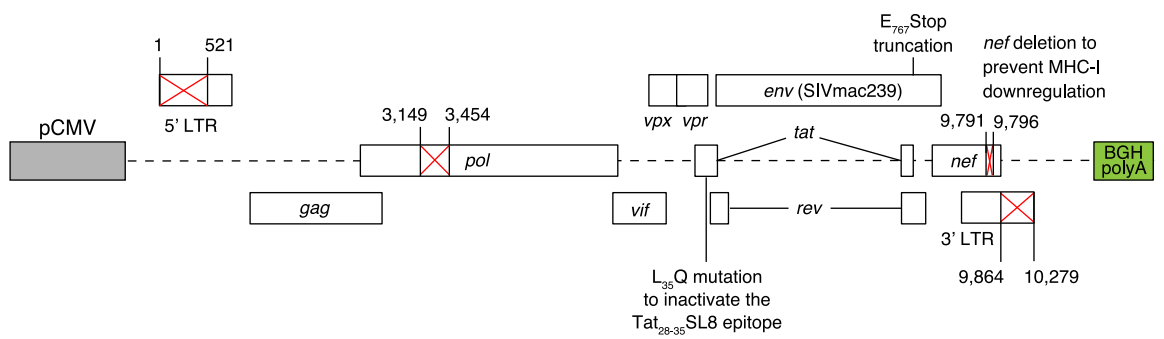
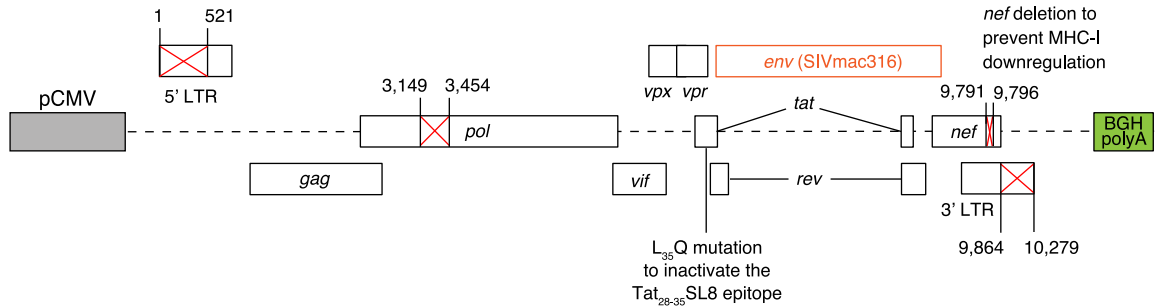


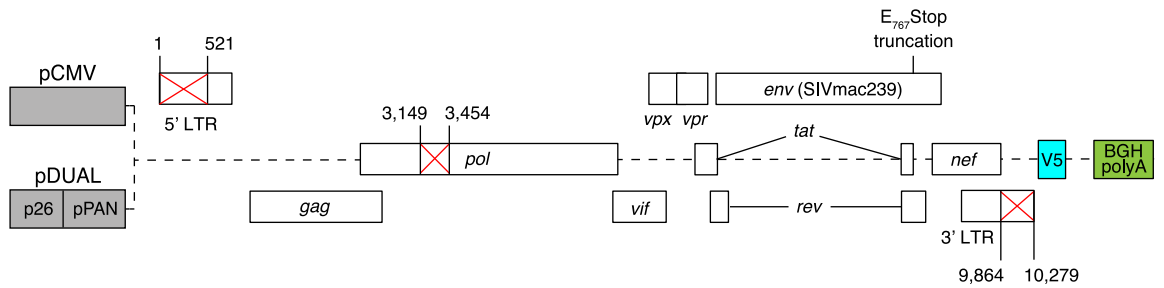
A) Vector 1 rDNA



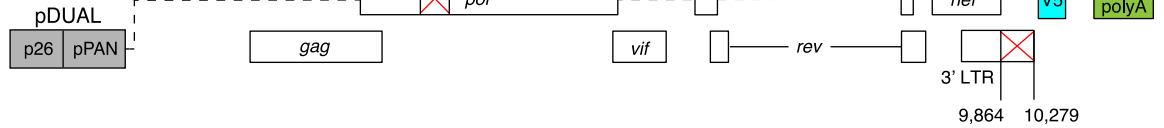
B) Vector 2 rDNA



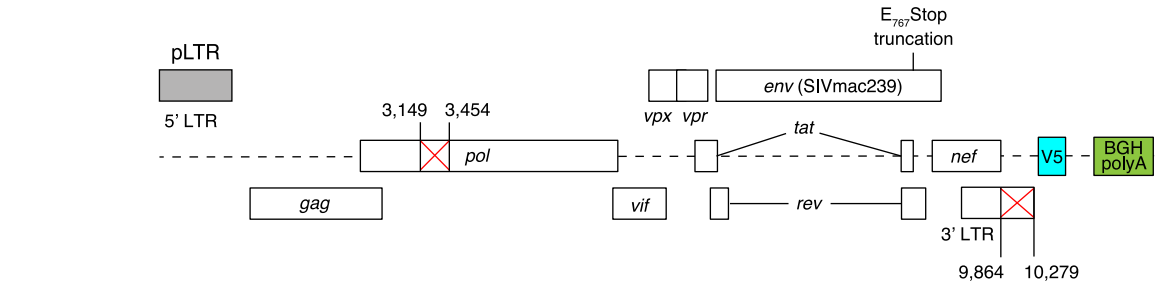
C) Vector 3 rRRV



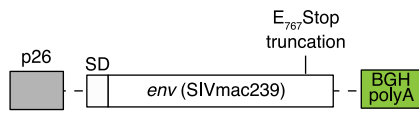
D) Vector 4 rRRV



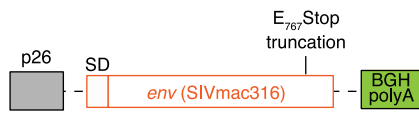
E) Vector 5 rRRV



F) Vector 6 rRRV



G) Vector 7 rRRV



rRRV pentamix