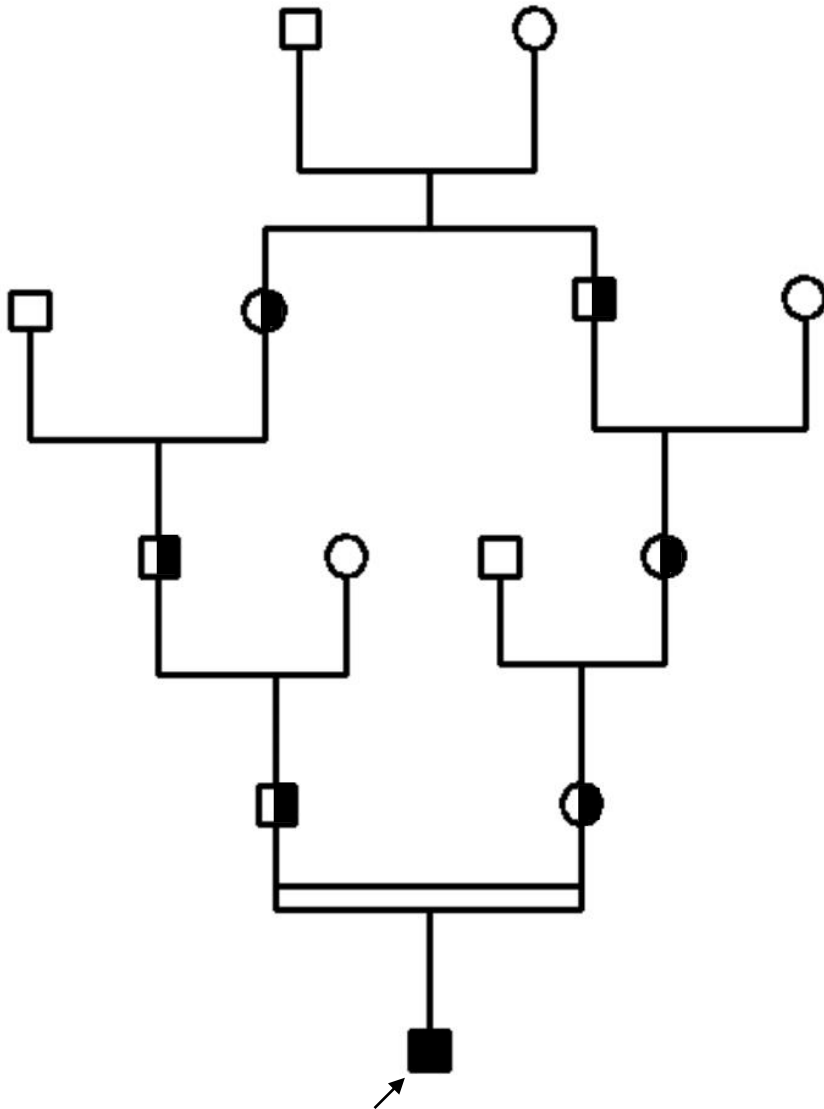


SUPPLEMENTAL MATERIAL

a) Diagram showing the relationship between the parents/grandparents



b) Primers used for the experiments:

For the hMTPPT:

the forward primer was: 5'-AGCATGAGCGCCTGTCGC-3',
the reverse primer was: 5'-TGAGCTGGGACGTGTCCTTTCCA-3'.

For the human β -actin:

the forward primer was: 5'-CATCCTGCGTCTGGACCT-3',
the reverse primer was: 5'-TAATGTCACGCACGATTTCC-3'