

## **Supplementary Information**

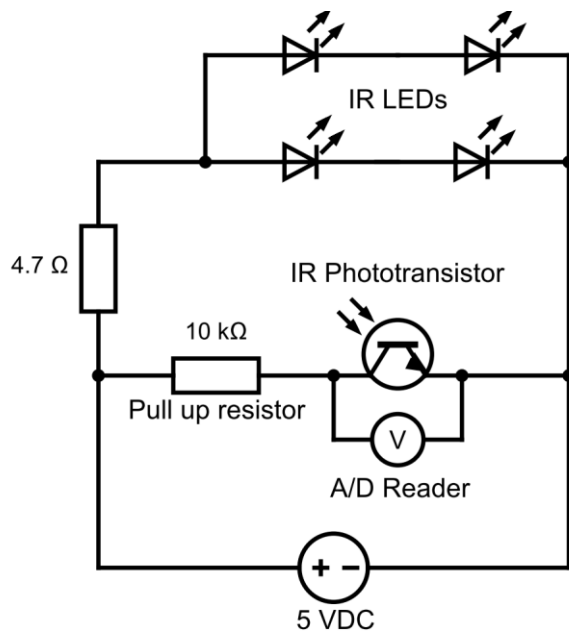
### **Thermal sensitivity links to cellular cardiac decline in three spiny lobsters**

**Michael Oellermann<sup>1,\*</sup>, Anthony Jr. Hickey<sup>2</sup>, Quinn P. Fitzgibbon<sup>1</sup>, Greg Smith<sup>1</sup>**

<sup>1</sup> Fisheries and Aquaculture Centre, Institute for Marine and Antarctic Studies (IMAS), University of Tasmania, Hobart, Tasmania, 7001, Australia

<sup>2</sup> School of Biological Sciences, University of Auckland, Auckland, New Zealand

\* michael.oellermann@utas.edu.au



**Supplementary Figure S2:** Electrical circuit diagram for self-assembled photoplethysmographs to measure heart rate in spiny lobsters