

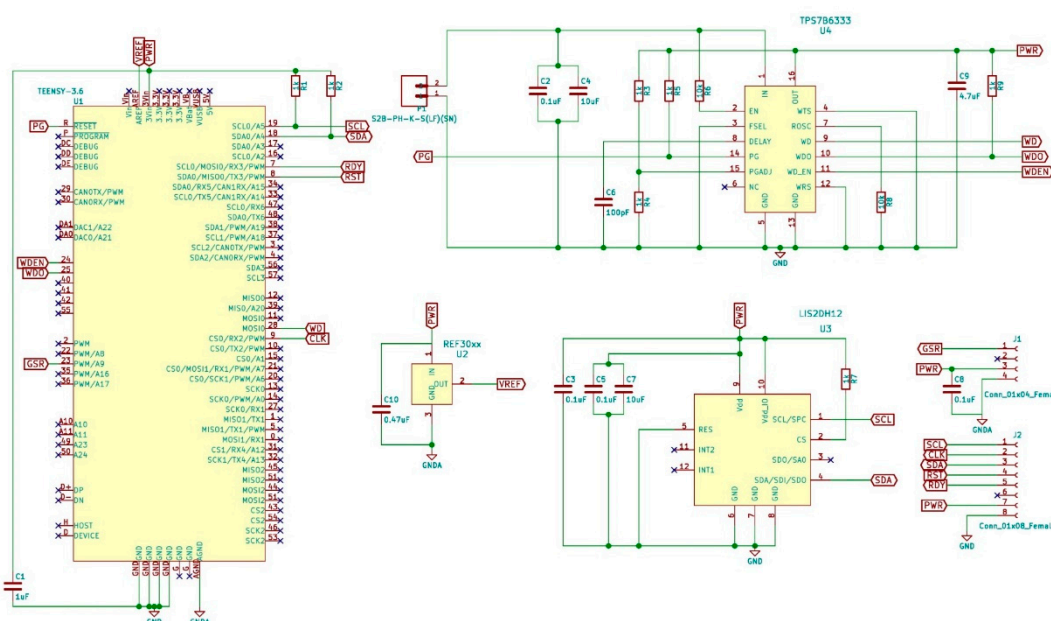
Supplementary

Wearable sensor system to monitor physical activity and the physiological effects of heat exposure

Sean Pham ¹, Danny Yeap ¹, Gisela Escalera ², Rupa Basu ³, Xiangmei Wu ³, Nicholas J. Kenyon ^{4,5,6}, Irva Hertz-Picciotto ⁷, Michelle J. Ko ⁸ and Cristina E. Davis ^{1,*}

- ¹ Department of Mechanical and Aerospace Engineering, University of California, Davis, CA 95616, USA.; sapham@ucdavis.edu (S.P.); dyeap@ucdavis.edu (D.Y.)
 - ² Center for Healthcare Policy and Research, University of California, Davis, CA 95616, USA.; gescalera@ucdavis.edu (G.E.)
 - ³ California Environmental Protection Agency, California Office of Environmental Health Hazard Assessment, 1515 Clay Street, Oakland, CA 94612, USA.; Rupa.Basu@oehha.ca.gov (R.B.); Xiangmei.Wu@oehha.ca.gov (X.W.)
 - ⁴ Department of Internal Medicine, 4150 V Street, Suite 3400, University of California, Davis, Sacramento, CA 95817, USA.; njkenyon@ucdavis.edu
 - ⁵ Center for Comparative Respiratory Biology and Medicine, University of California, Davis, CA 95616, USA.
 - ⁶ VA Northern California Health Care System, 10535 Hospital Way, Mather, CA 95655, USA.
 - ⁷ Division of Environmental and Occupational Health, Department of Public Health, University of California, Davis, CA 95616, USA.; iher@ucdavis.edu
 - ⁸ Center for Regional Change, Department of Public Health, University of California, Davis, CA 95616, USA.; mijko@ucdavis.edu
- * Correspondence: cedavis@ucdavis.edu

Received: 16 December 2019; Accepted: 30 January 2020; Published: date



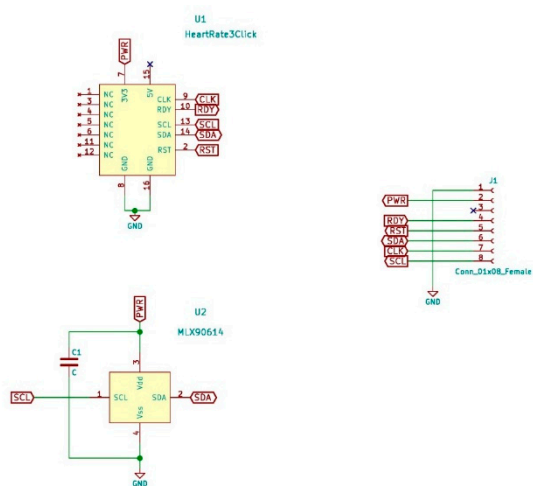


Figure S2. Schematics for the peripheral board of device, which contains the optical pulse oximetry and temperature sensors.