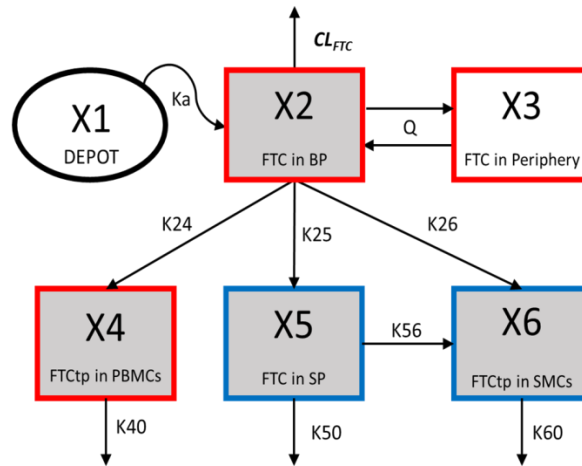


Figure S1. Population Pharmacokinetic Estimates for Emtricitabine (FTC)

Red boxes = blood matrices (BP/PBMCs), blue boxes = seminal matrices (SP/SMCs), gray boxes = compartments with direct measurement, ovals = depot compartments