

# **Transcriptomic features of tumour-infiltrating CD4<sup>low</sup>CD8<sup>high</sup> double positive $\alpha\beta$ T cells in melanoma**

Tiphaine Parrot<sup>1,2</sup>, Romain Oger<sup>1,2</sup>, Mathilde Allard<sup>1,2</sup>, Juliette Desfrançois<sup>3</sup>, Diane Raingeard de la Blétière<sup>4</sup>, Anne Coutolleau<sup>4</sup>, Laurence Preisser<sup>5</sup>, Amir Khammari<sup>2,6</sup>, Brigitte Dréno<sup>2,6</sup>, Yves Delneste<sup>5</sup>, Philippe Guardiola<sup>4</sup>, Delphine Fradin<sup>1,2,¶</sup> and Nadine Gervois<sup>1,2,¶,\*</sup>.

<sup>1</sup> Université de Nantes, Inserm, CRCINA, F-44000 Nantes, France

<sup>2</sup> LabEx IGO, Université de Nantes, Nantes, France

<sup>3</sup> Cytometry Facility « CytoCell », Federative Structure Research François Bonamy, Nantes, France

<sup>4</sup> Onco-hematological genomics service, Centre Hospitalier Universitaire, Angers, France

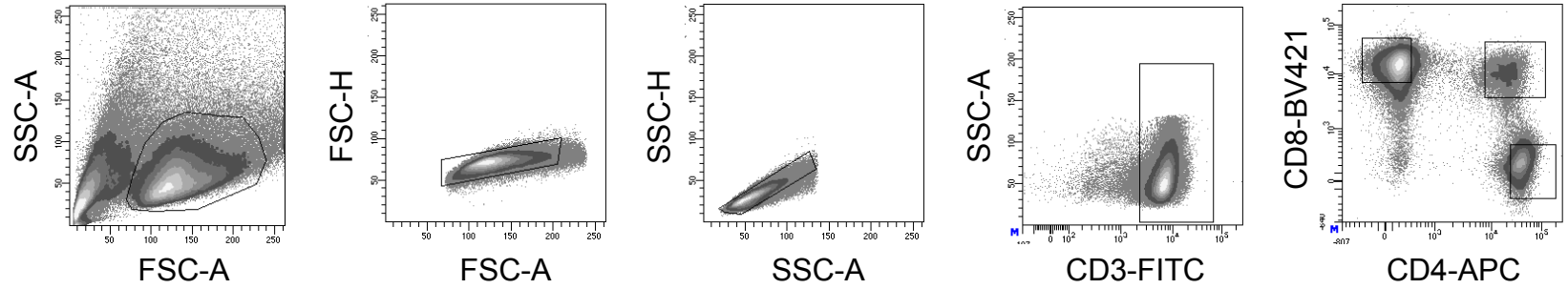
<sup>5</sup> Université d'Angers, Inserm, CRCINA, F-44000 Nantes, France

<sup>6</sup> Université de Nantes, CHU Nantes, Inserm, CRCINA, F-44000 Nantes, France

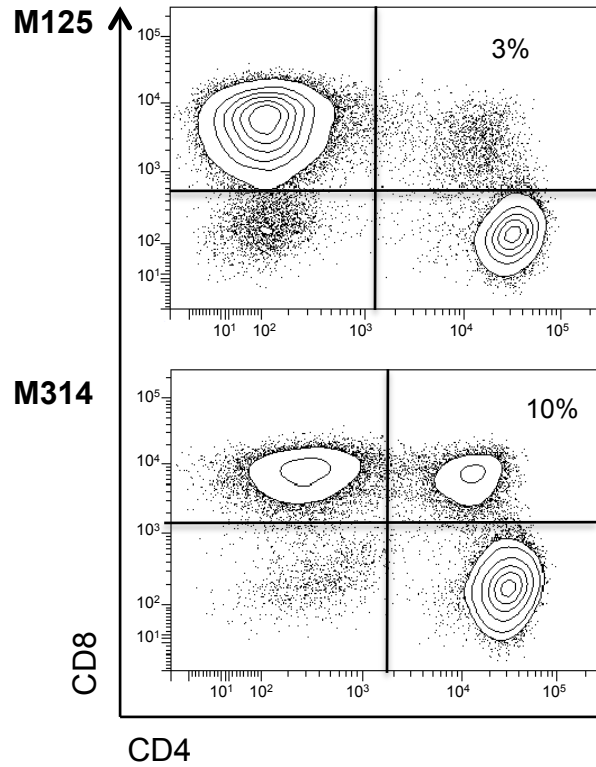
¶ These authors contributed equally to this work.

# Supplementary Figure S1

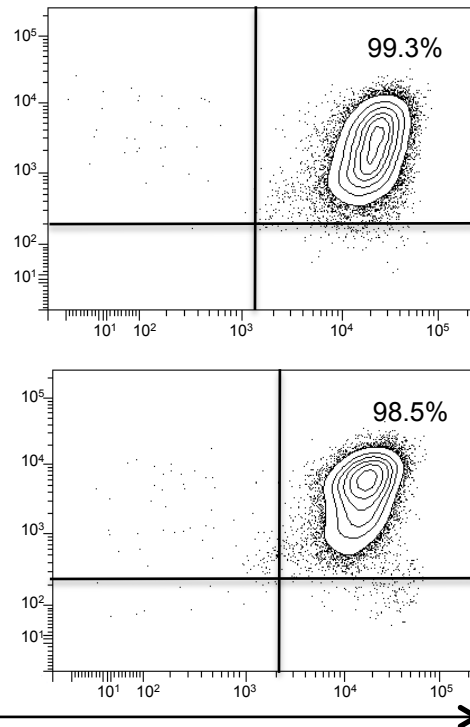
**A)**



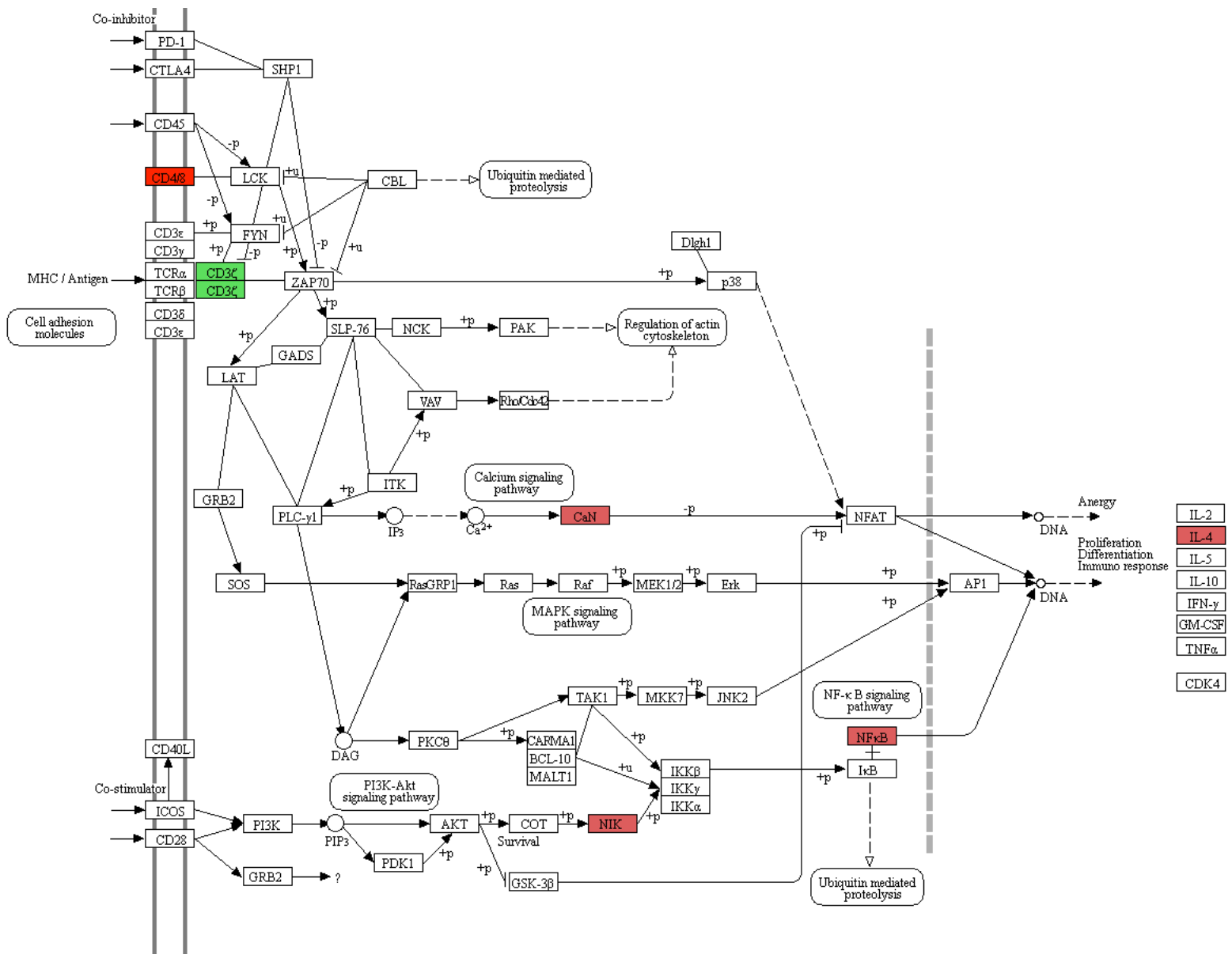
**B)**



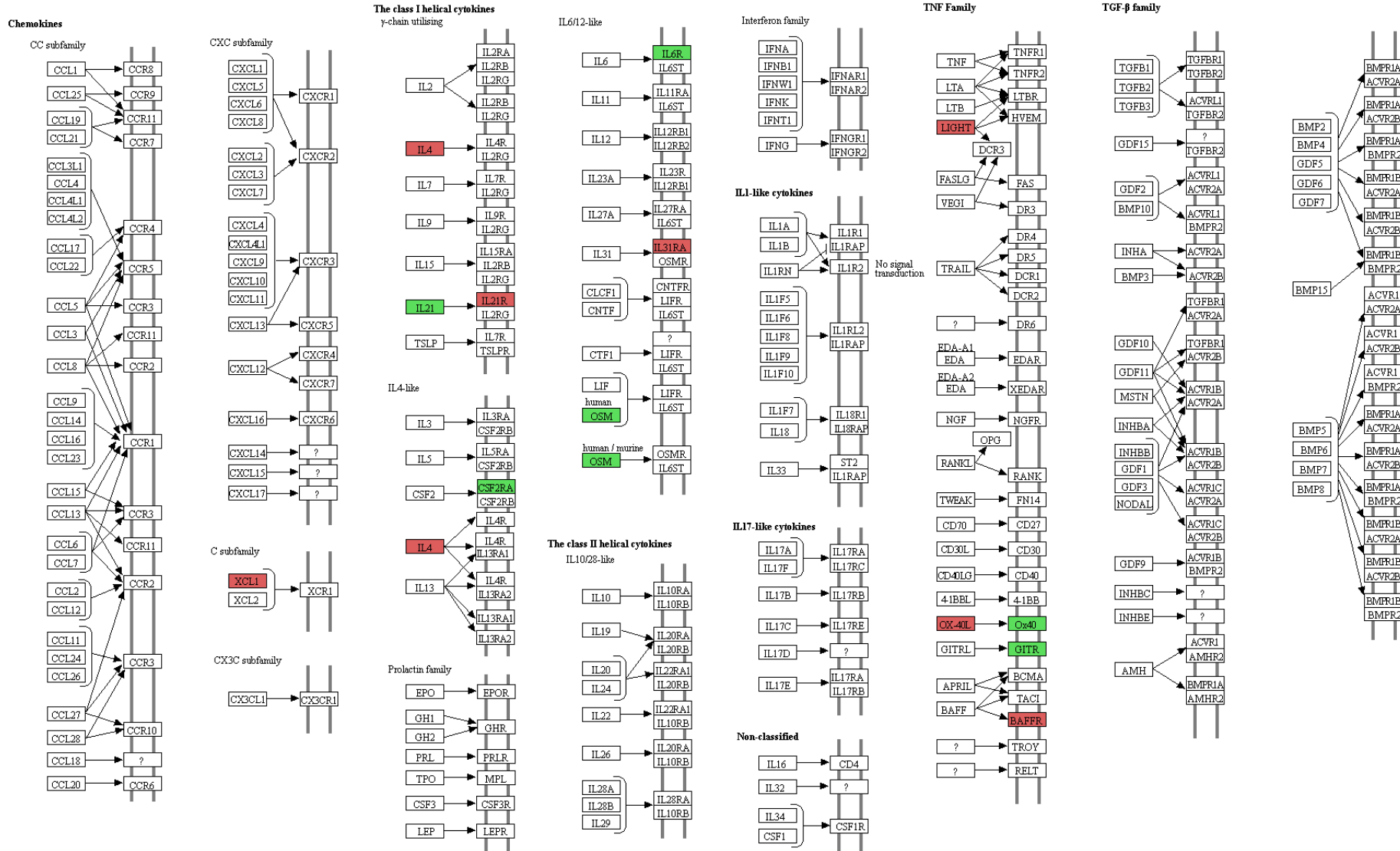
**C)**



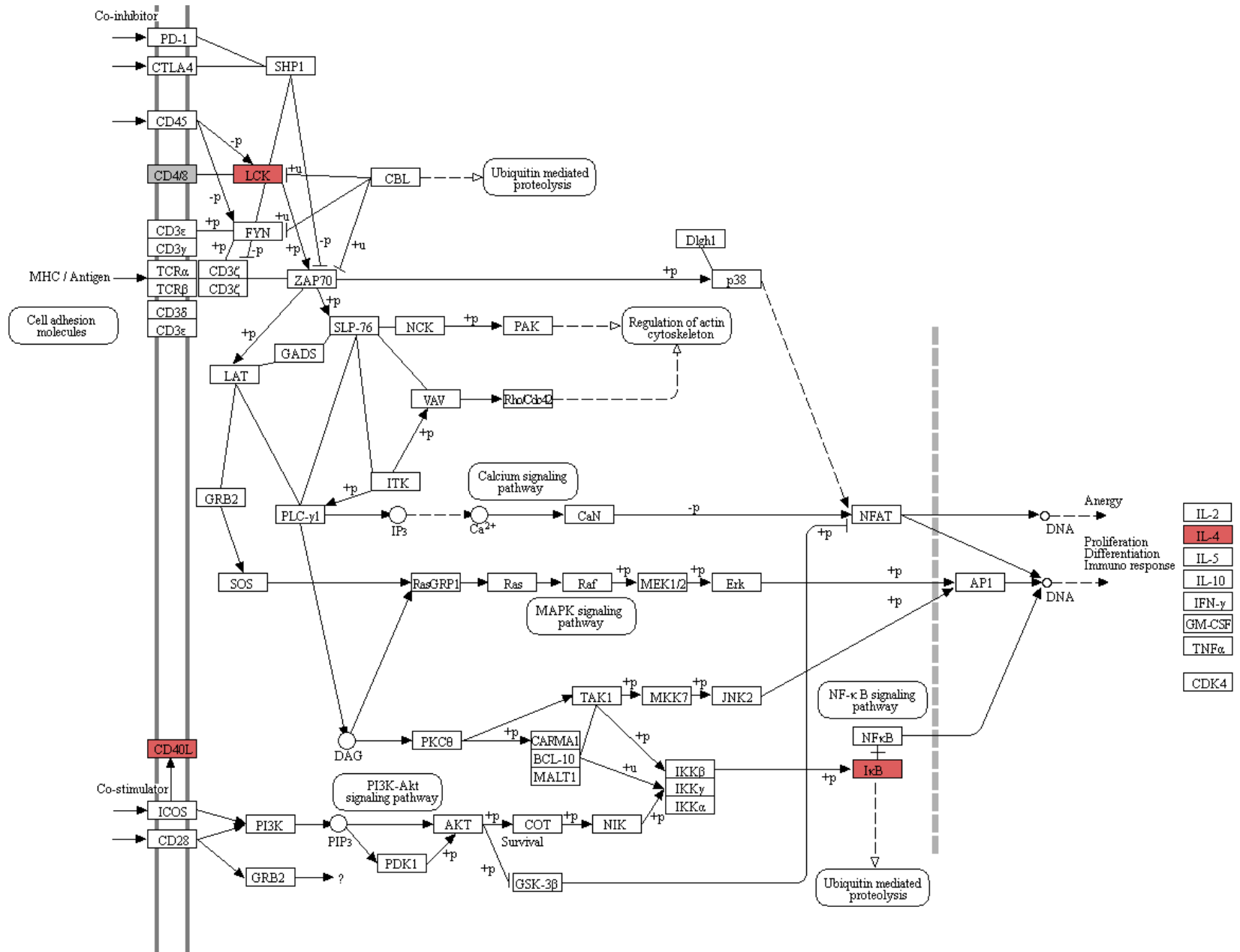
# Supplementary Figure S2



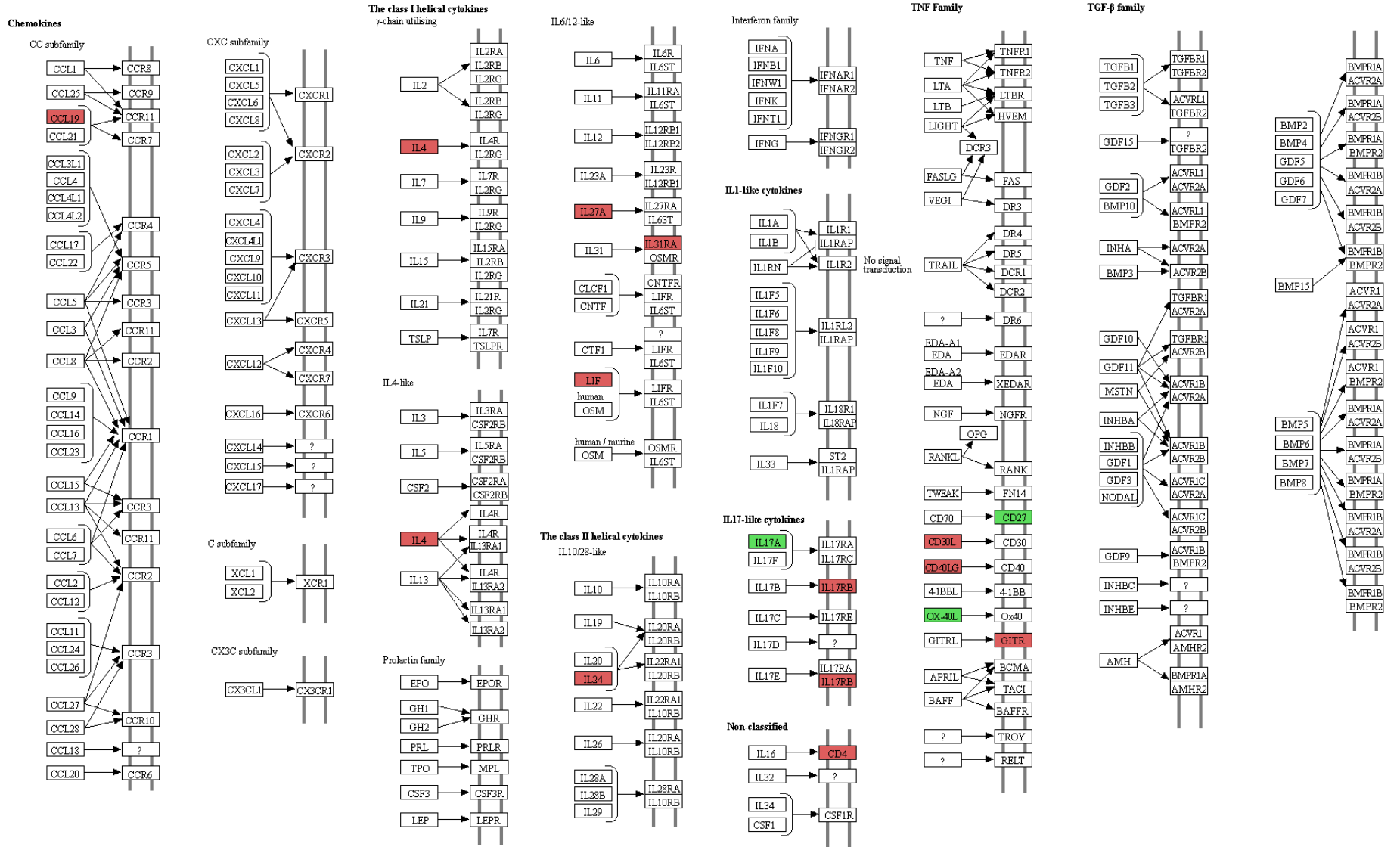
# Supplementary Figure S3



# Supplementary Figure S4

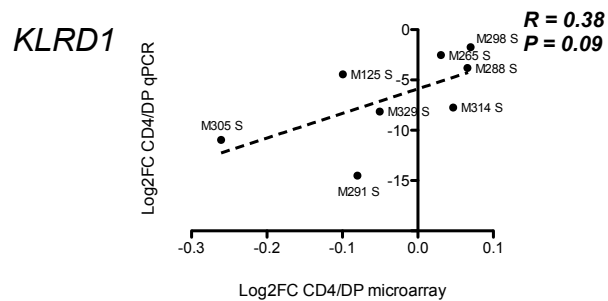
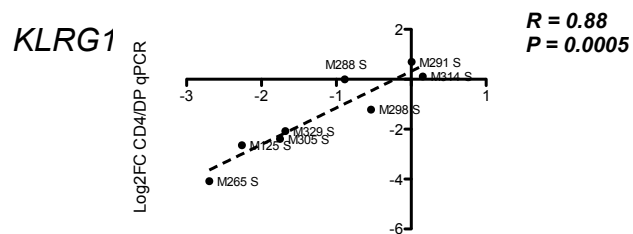
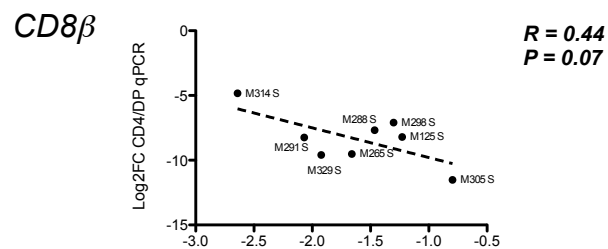
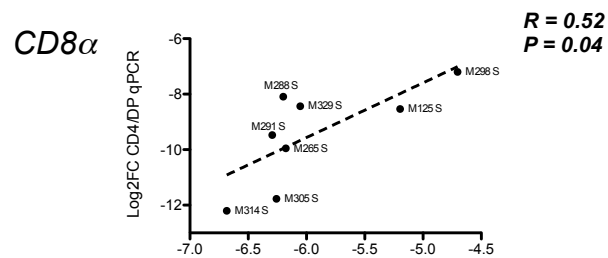


# Supplementary Figure S5



# Supplementary Figure S6

A



B

