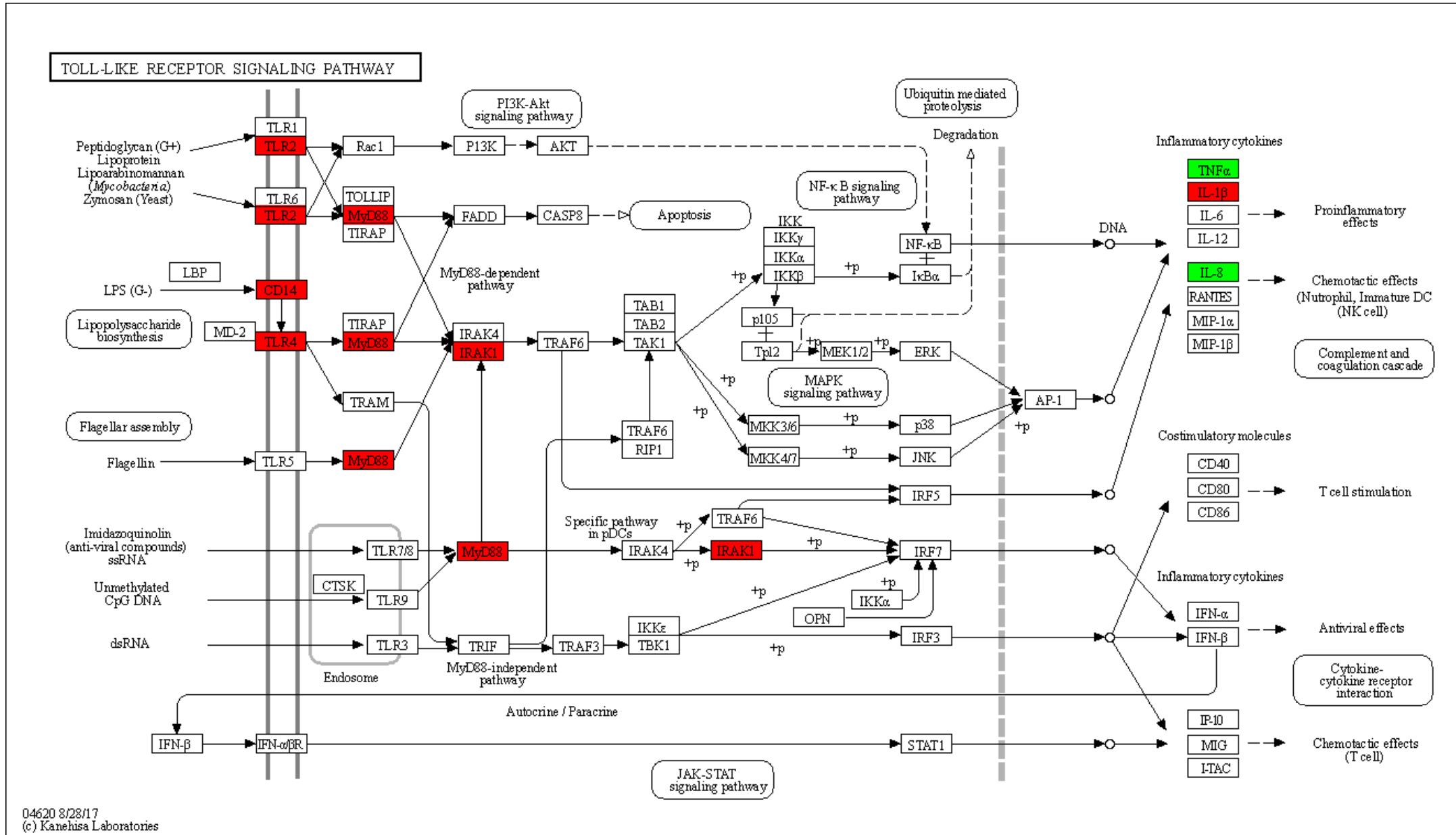
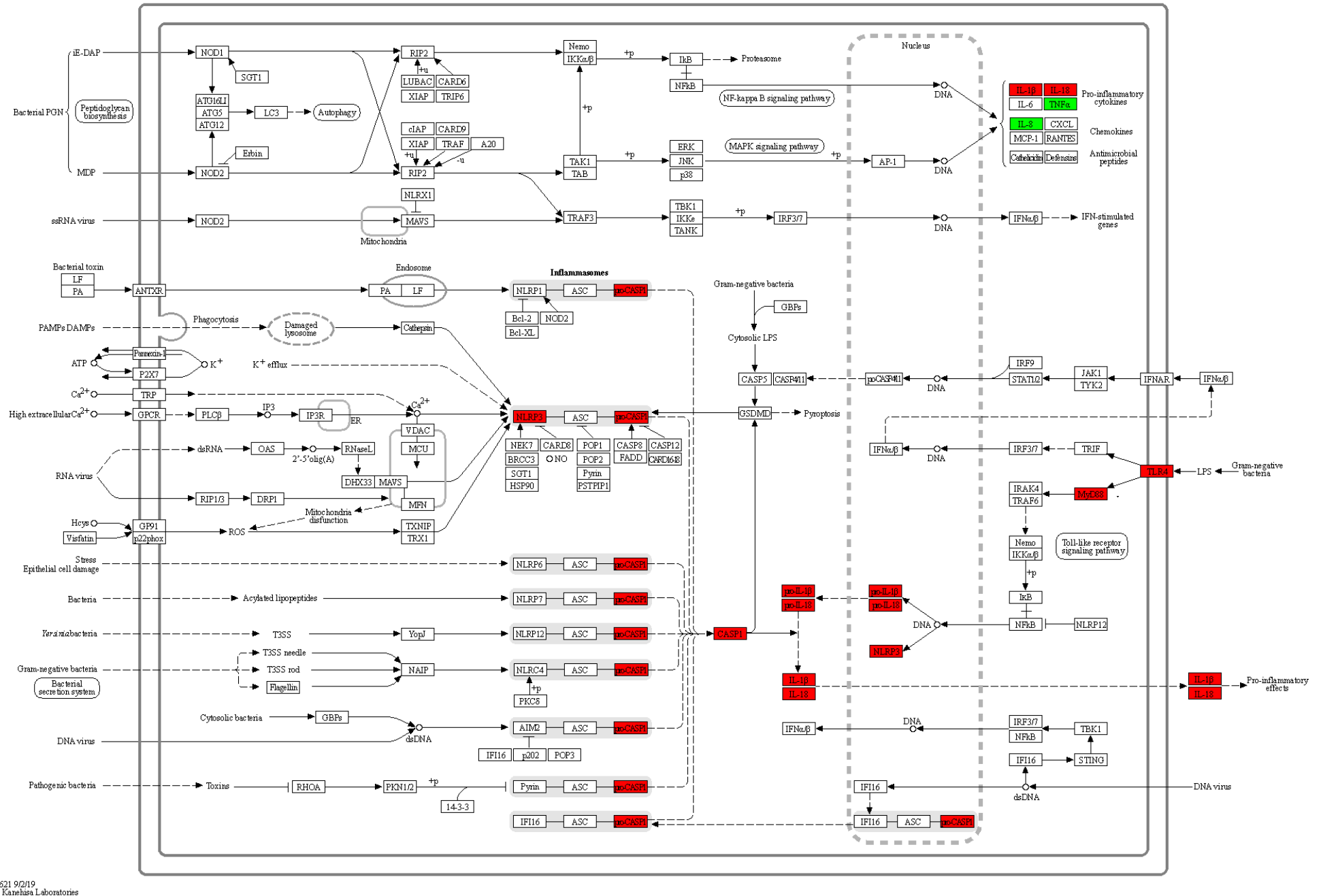


# 1 Supplementary File



2 Figure S1. Changes of the whole blood leukocytes gene expression in the KEGG TOLL-LIKE RECEPTOR signaling pathway in PEG compared with CTR cows,  
 3 regardless the breed. Red boxes are genes with increased expression in PEG cows, whereas green boxes are genes with reduced expression in PEG cows.

NOD-LIKE RECEPTOR SIGNALING PATHWAY



04621 9/2/19  
 (c) Kanehisa Laboratories

Figure S2. Changes of the whole blood leukocytes gene expression in the KEGG NOD-LIKE RECEPTOR signaling pathway in PEG compared with CTR cows, regardless the breed. Red boxes are genes with increased expression in PEG cows, whereas green boxes are genes with reduced expression in PEG cows

NF-KAPPA B SIGNALING PATHWAY

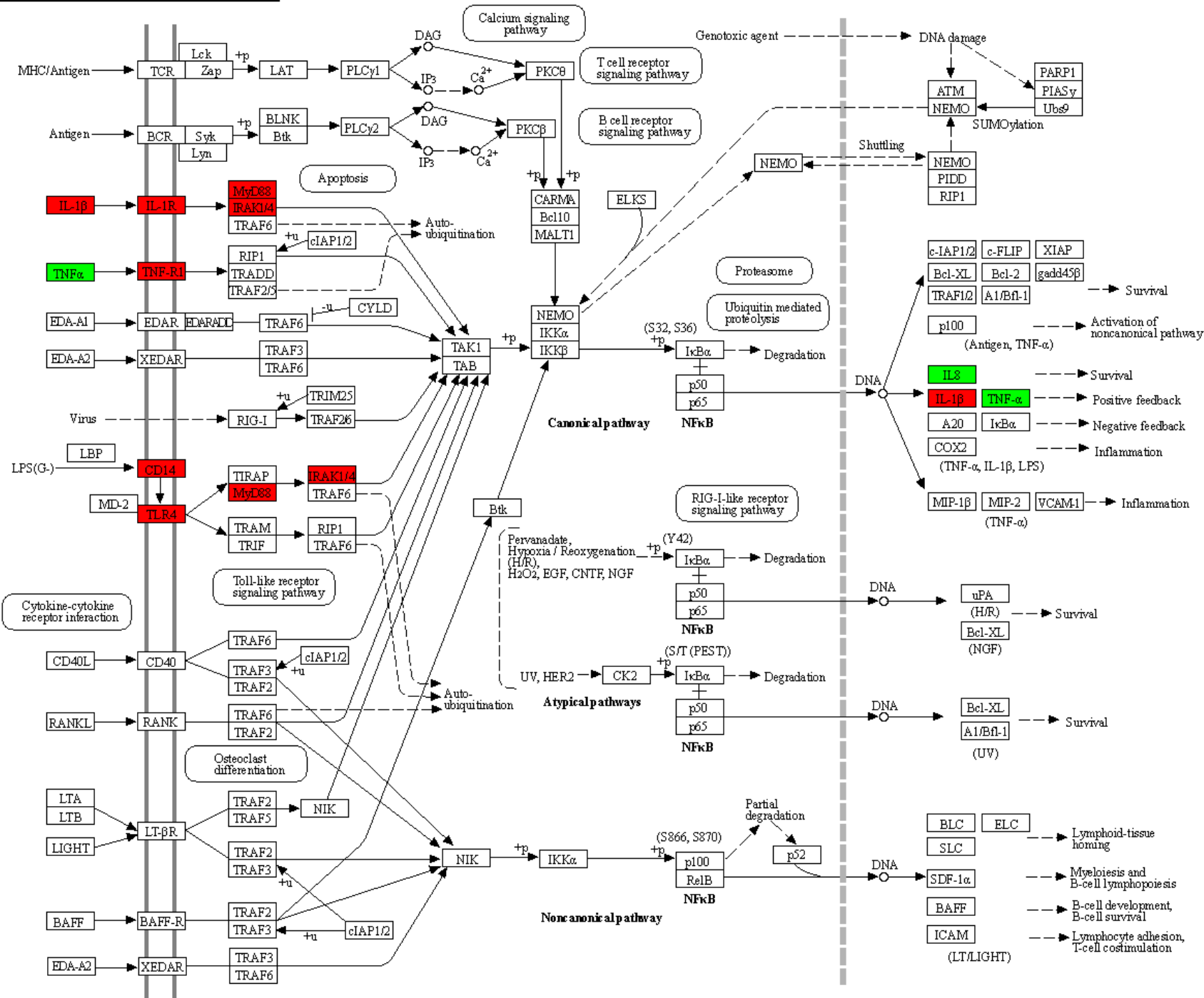


Figure S3. Changes of the whole blood leukocytes gene expression in the KEGG NF-KAPPA B signaling pathway in PEG compared with CTR cows, regardless the breed. Red boxes are genes with increased expression in PEG cows, whereas green boxes are genes with reduced expression in PEG cows.

CELL ADHESION MOLECULES

IMMUNE SYSTEM

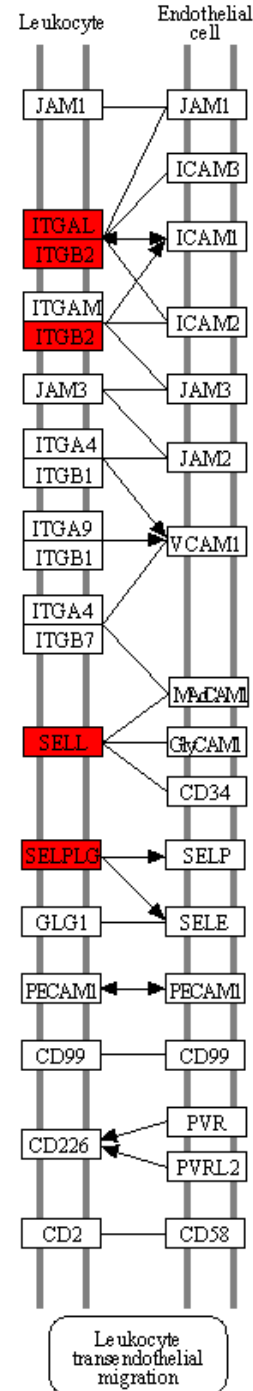
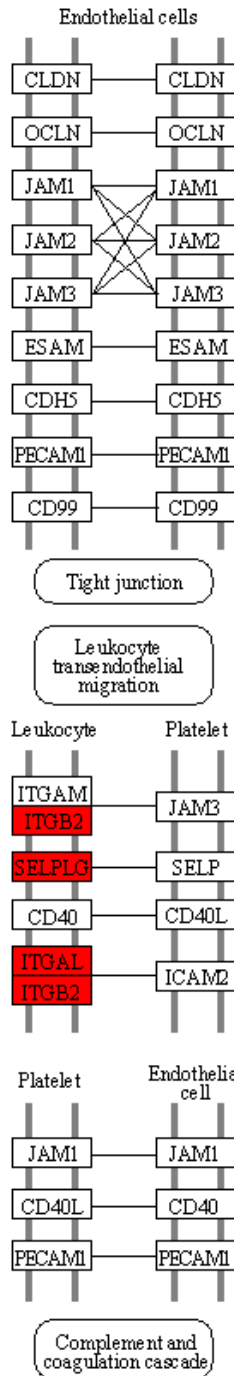
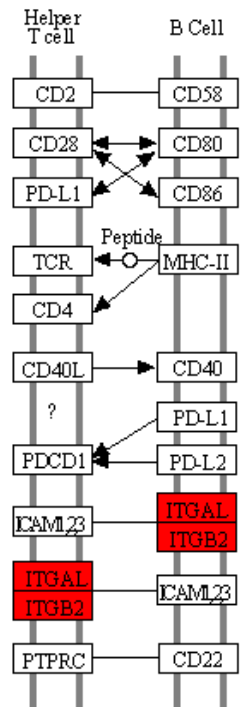
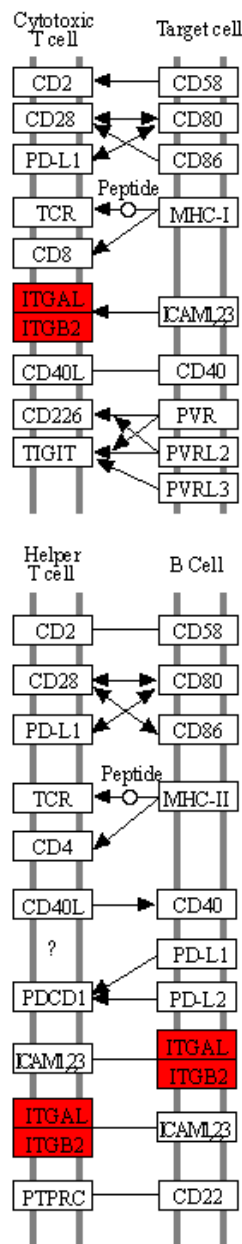
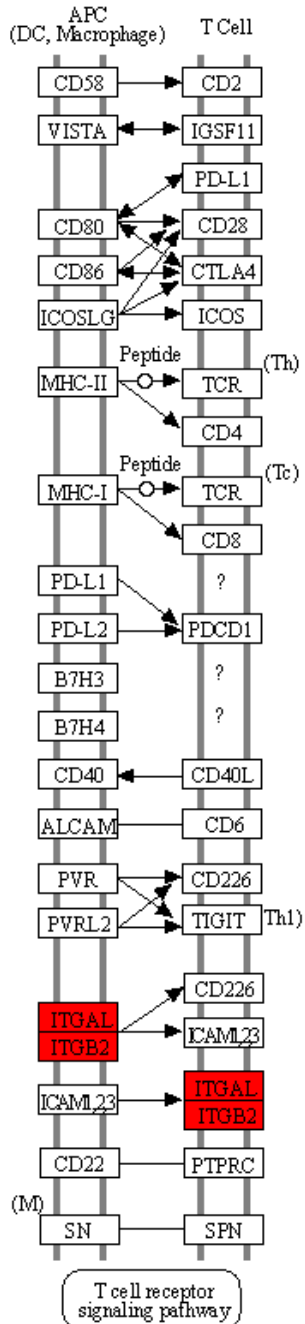


Figure S4. Changes of the whole blood leukocytes gene expression in the KEGG CELL ADHESION molecules in PEG compared with CTR cows, regardless the breed. Red boxes are genes with increased expression in PEG cows, whereas green boxes are genes with reduced expression in PEG cows.