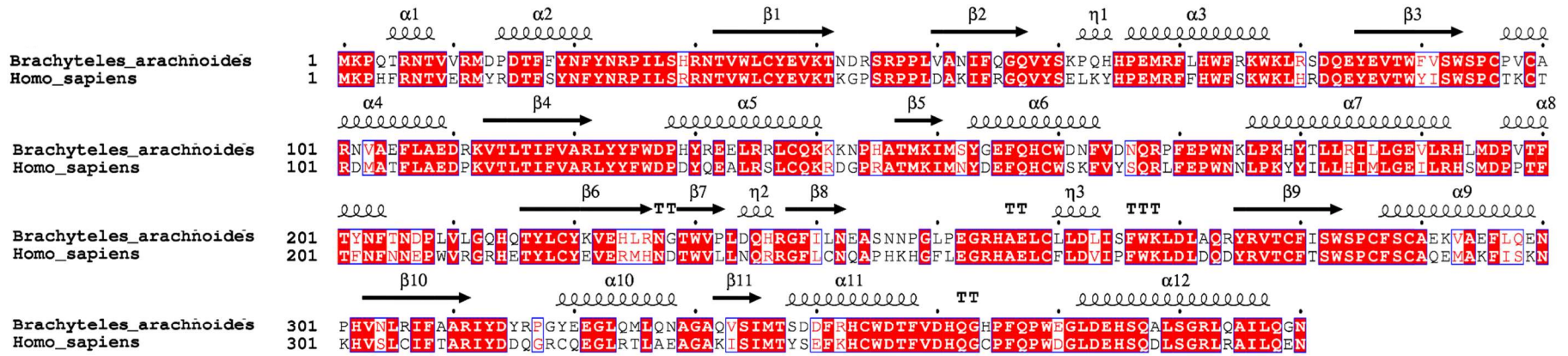
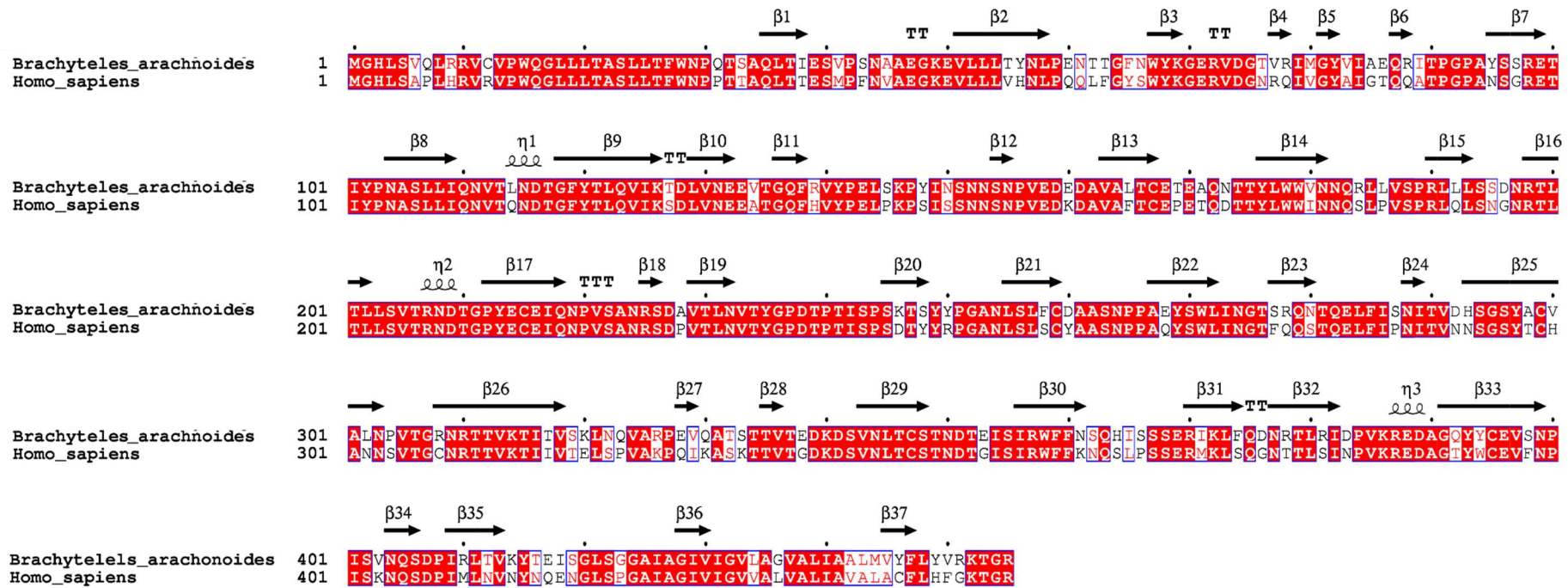


A



B



Supplementary Figure 6: Analysis of sequences similarities in comparison with secondary structure information of homology models rendered by ESPrict 3.0. (A) The sequences of APOBEC3G. (B) The sequences of CEACAM1. The proteins secondary structure (alfa helix and beta sheet) are represented on top of sequences.