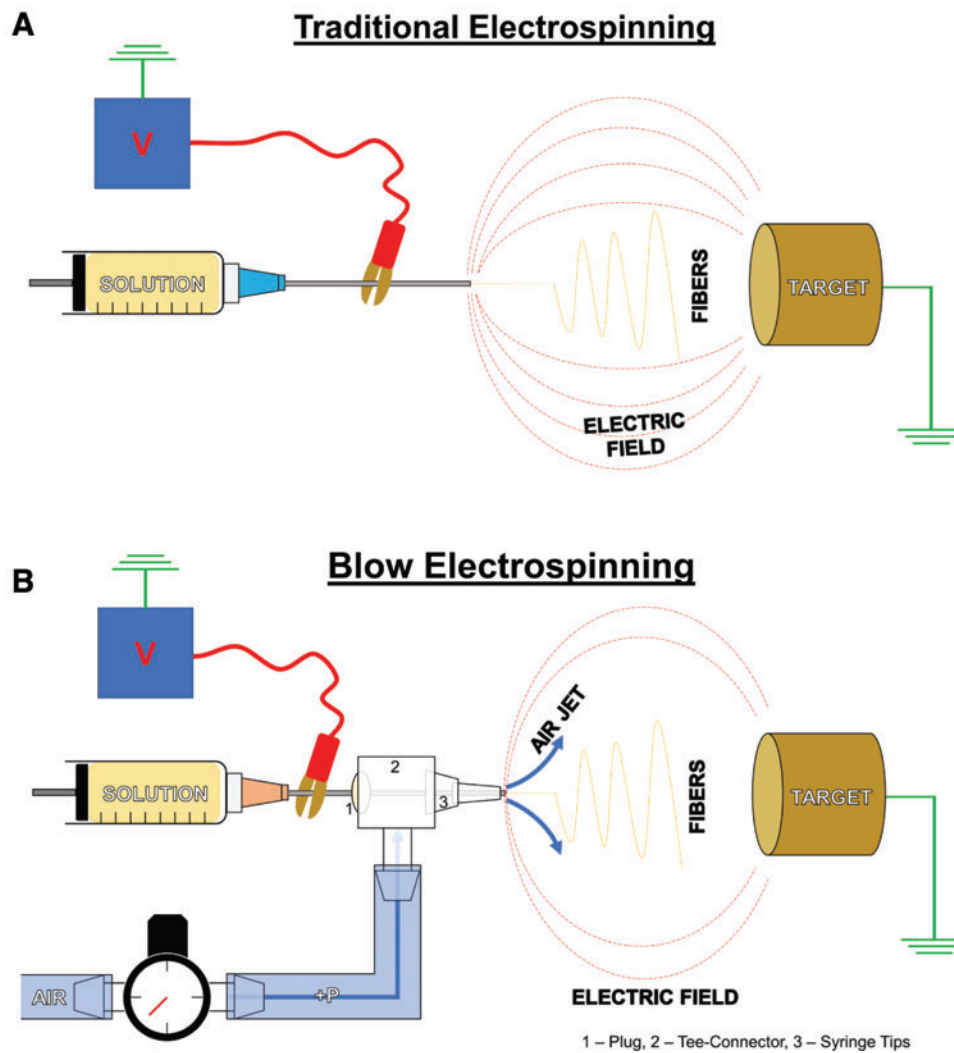


Supplementary Data



SUPPLEMENTARY FIG. S1. Comparison of two electroprocessing types. (A) A diagram depicting a traditional electrospinning system, such as that used to fabricate the PCL scaffold. (B) A schematic of a blow electrospinning setup that is assisted by pressurized air, such as that used for the soy scaffold. PCL, polycaprolactone.