

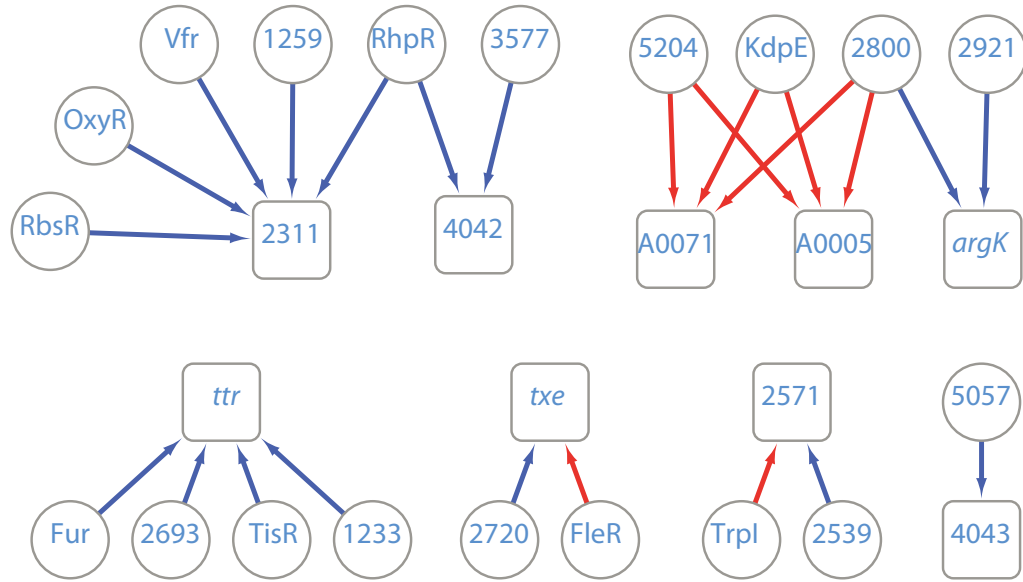








e. Transcriptional Regulatory Network of Phytotoxin



f. Transcriptional Regulatory Network of ROS

