

Additional file 4

Supplementary figure 4

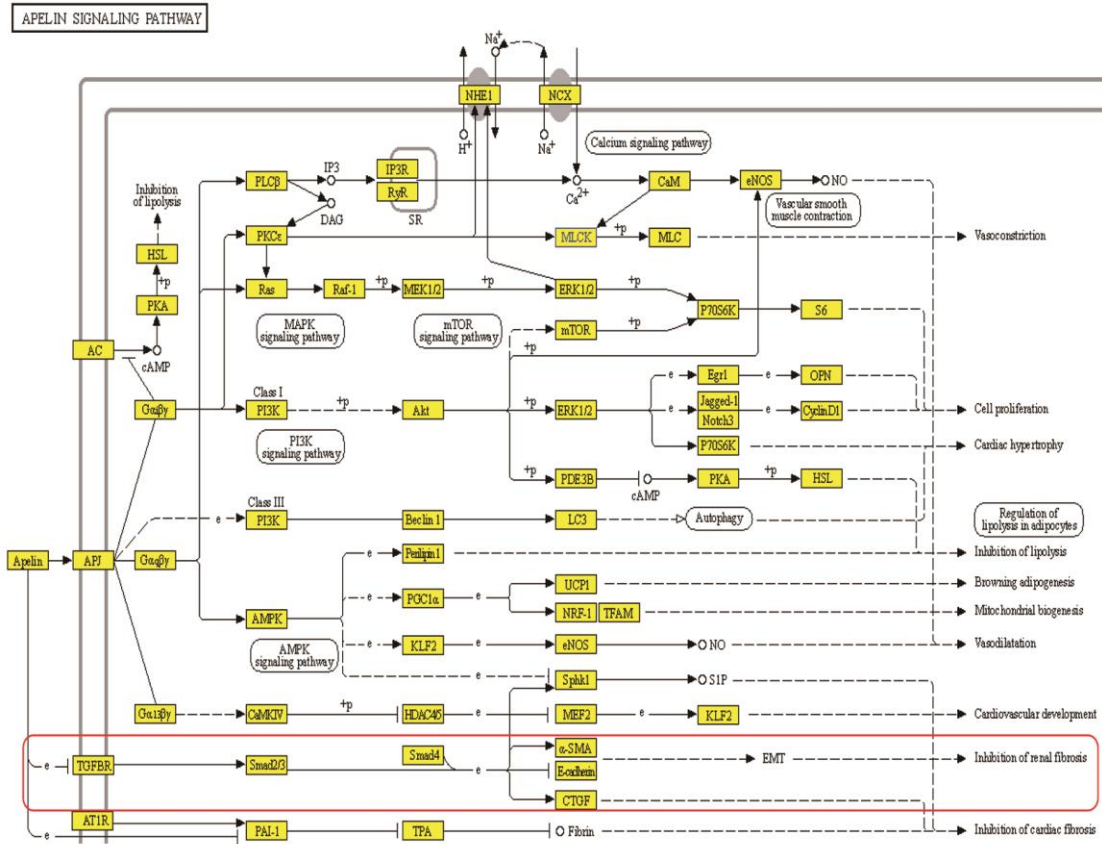


Figure S4. Bioinformatics analysis of the Apelin signaling pathway: expression of α -SMA, CTGF and E-cadherin related to renal fibrosis.