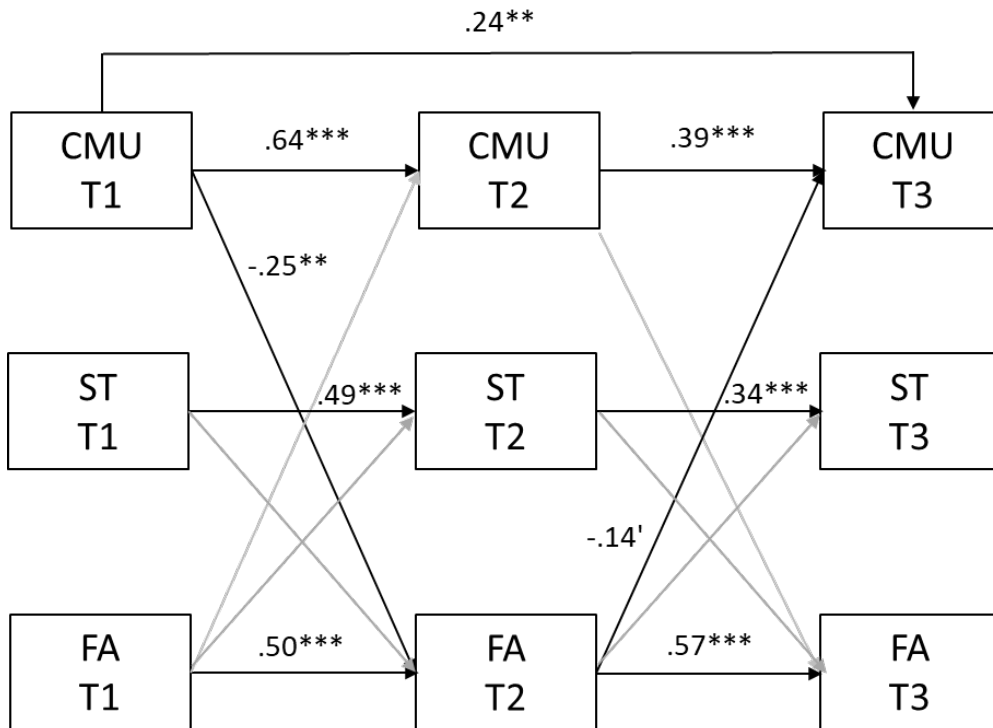


#### Supplementary Figure 4.

An ARCL model estimating autoregressive and cross-lagged paths between repeated measures of CMU, ST and FA between T1 to T3.



*Note.* For ease of presentation only significant paths are included in the figure, and all concurrent associations within time points were estimated but are not presented; The following covariates were included in the model, but are not depicted in this figure: maternal education, child sex, supportive and unsupportive parenting behaviors; CMU = cumulative media use, ST = screen time FA = focused attention; ' $<0.1$ ,  $p^{**}p < 0.01$ ,  $***p < 0.001$ .