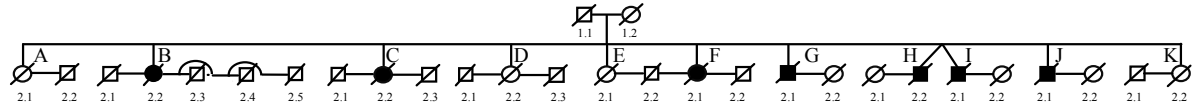


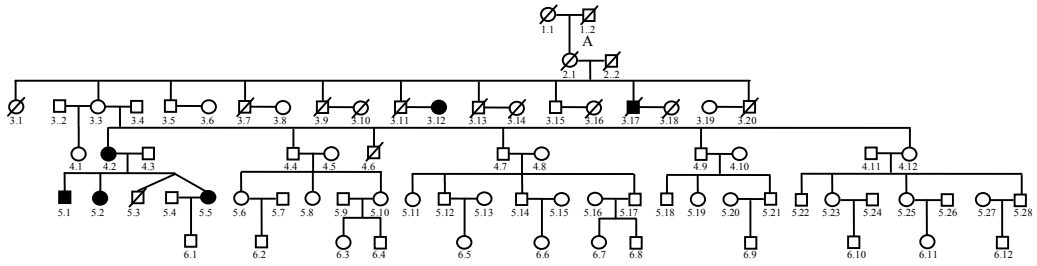
Branch

Supplementary Table 1. Table of Pedigrees

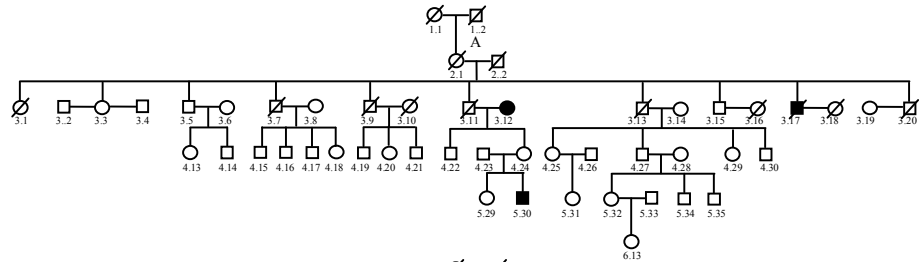
First Two Generations



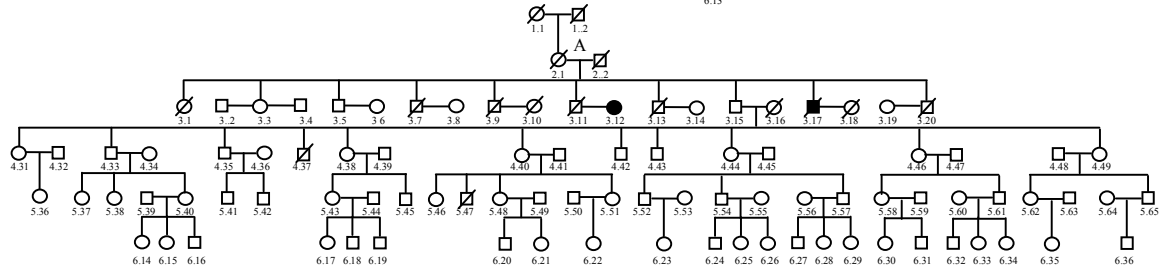
A1



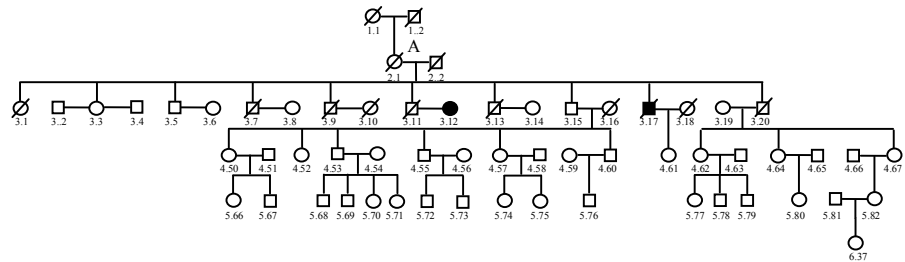
A2



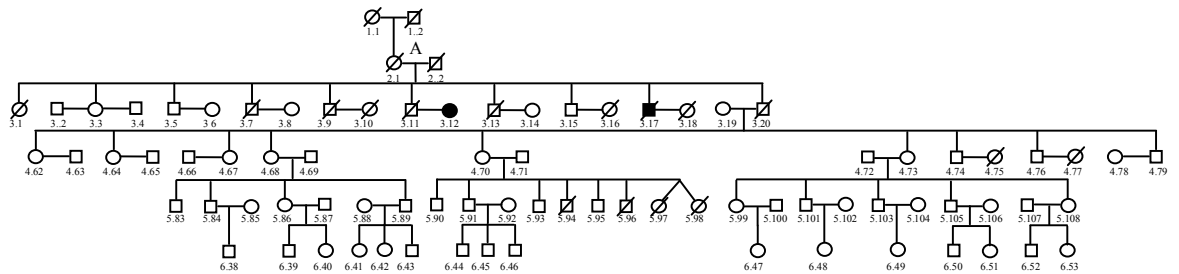
A3



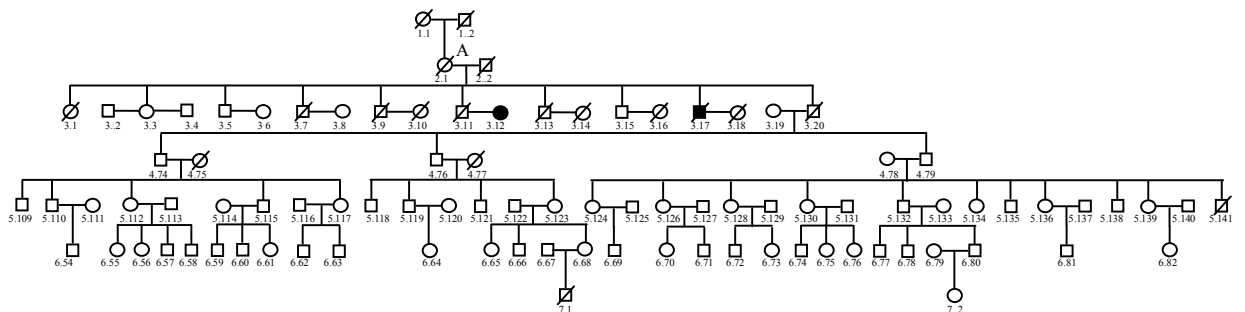
A4



A5



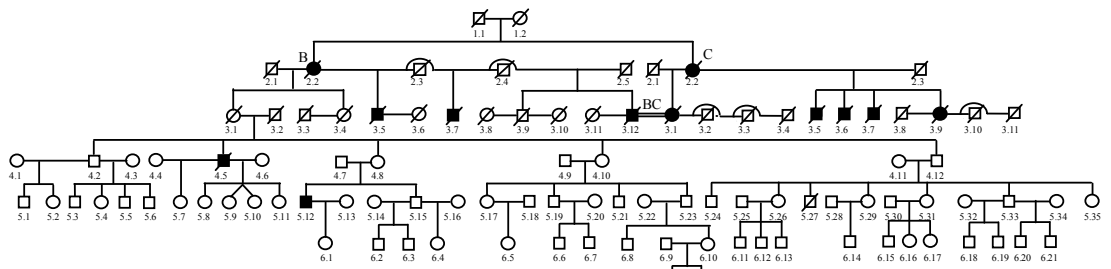
A6



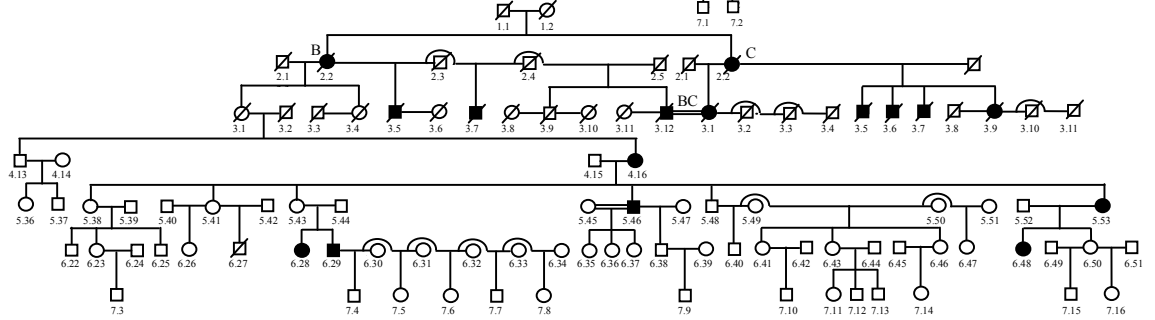
A2.2 = C3.4, A3.11 = C4.3, A3.12 = C4.10 = H4.24

Branch

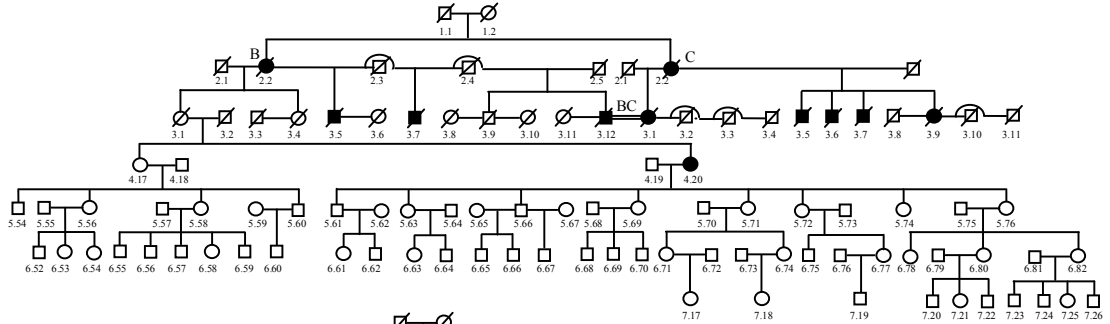
B1



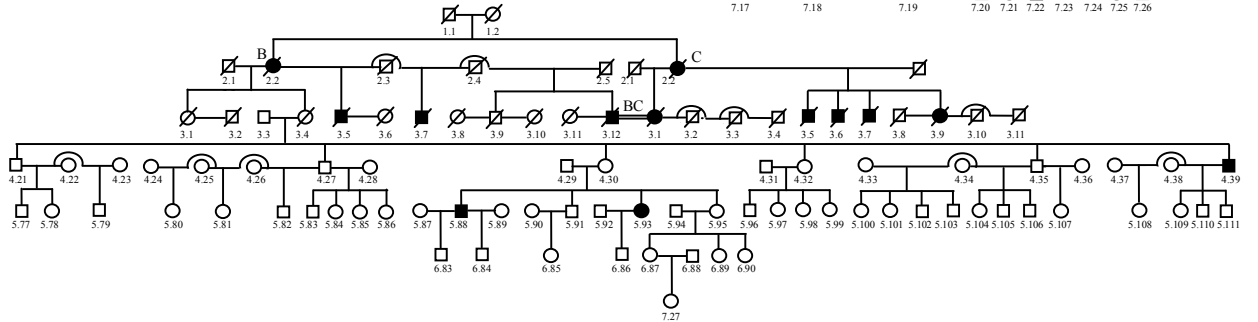
B2



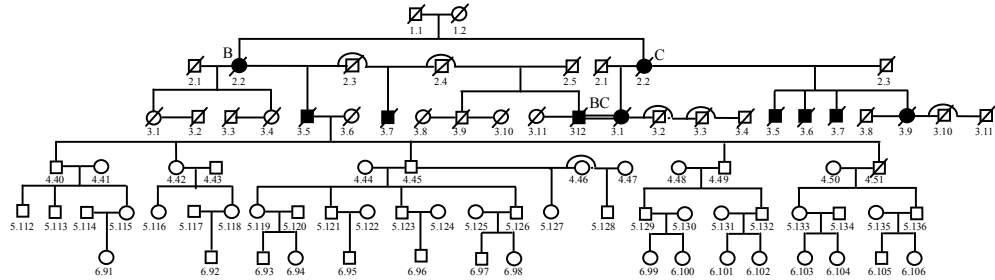
B3



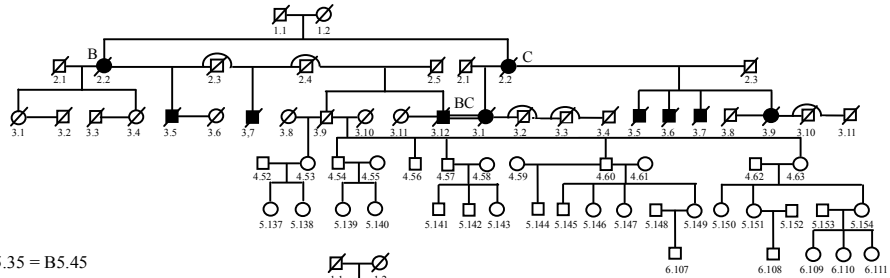
B4



B5

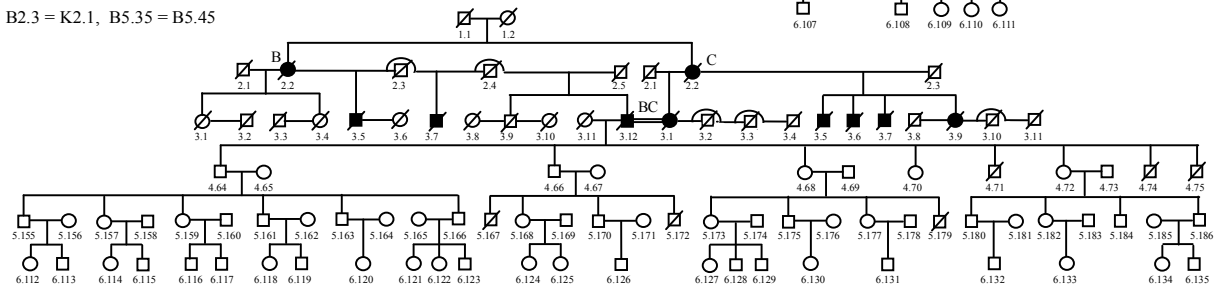


B6



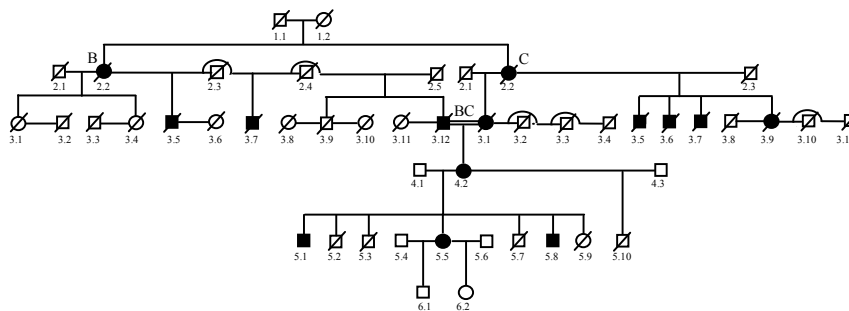
B2.3 = K2.1, B5.35 = B5.45

B7

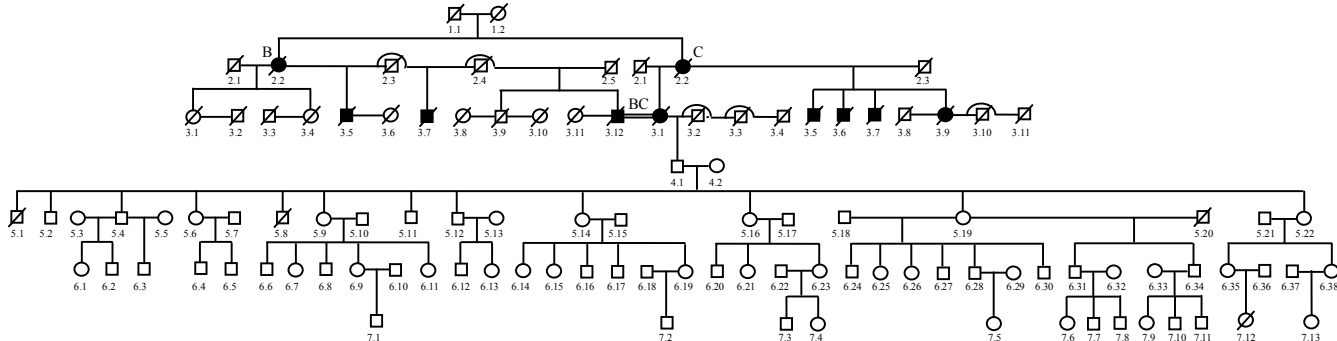


Branch

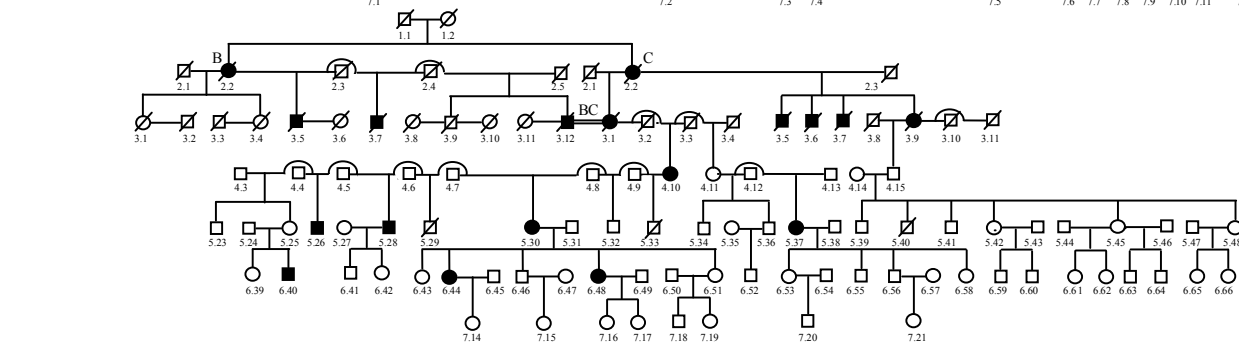
BC



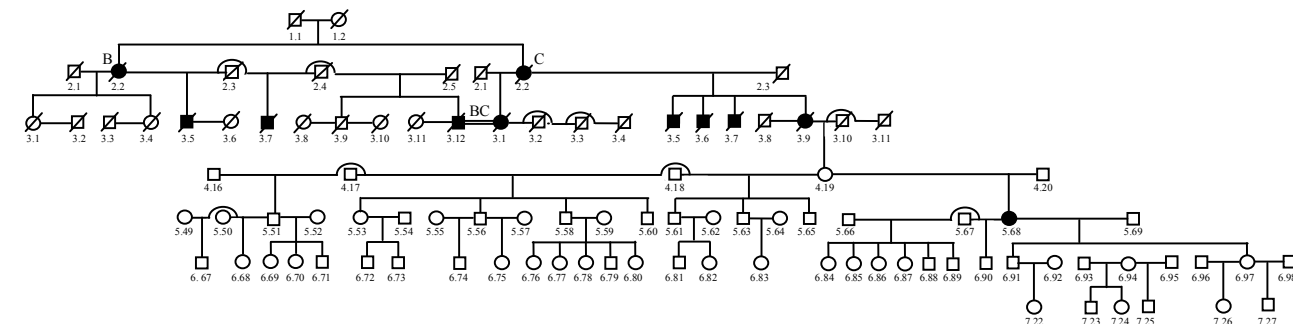
C1



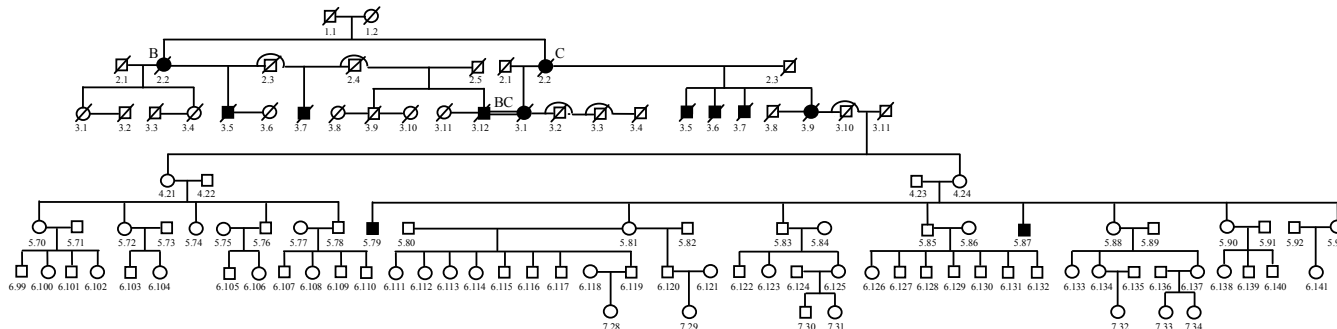
C2



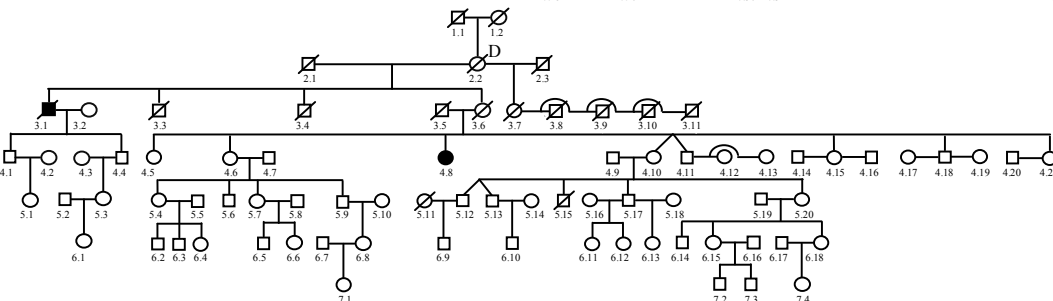
C3



C4

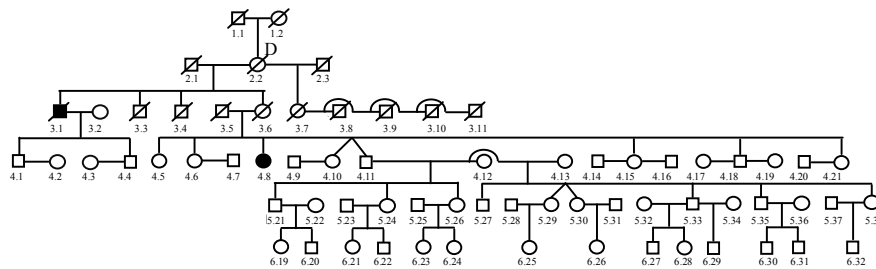


D1

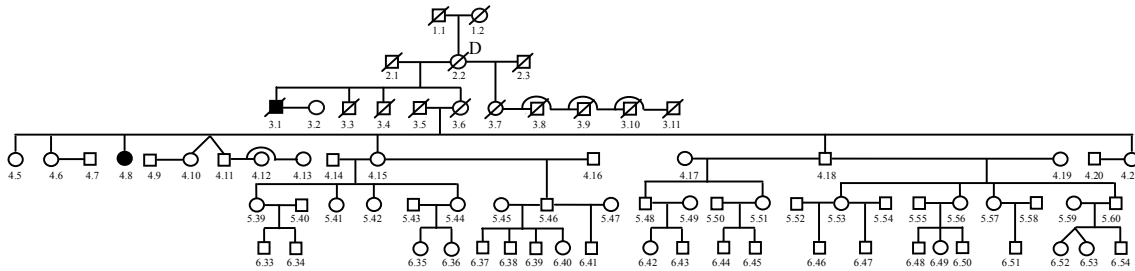


C3.4 = A2.2 C4.3 = A3.11 C4.6 = H4.25 C4.10 = H4.24 = A3.12

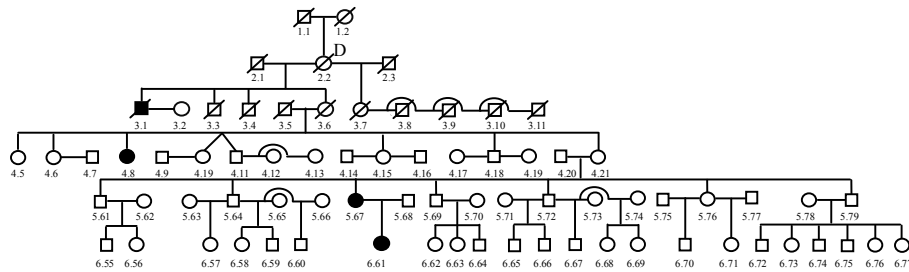
D2



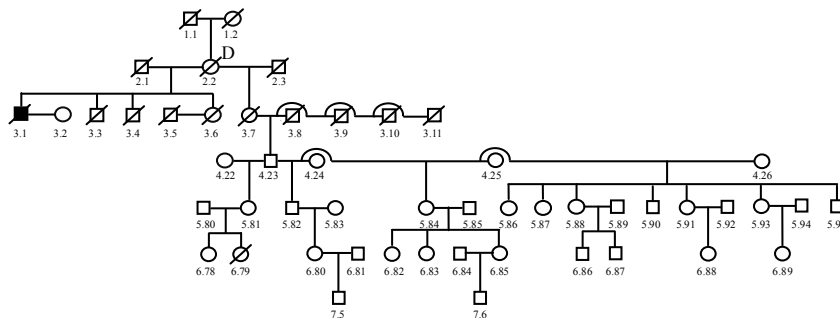
D3



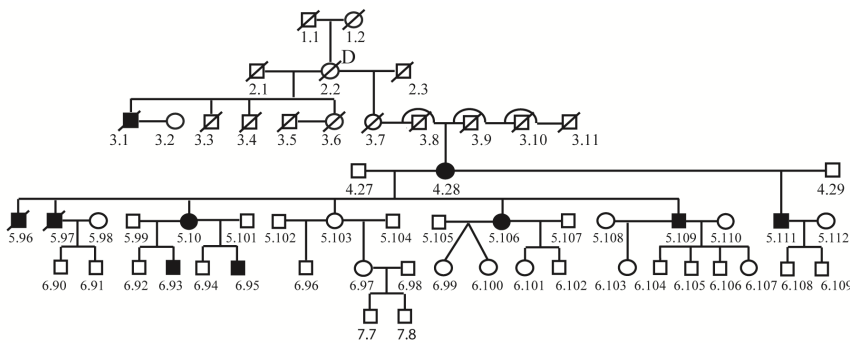
D4



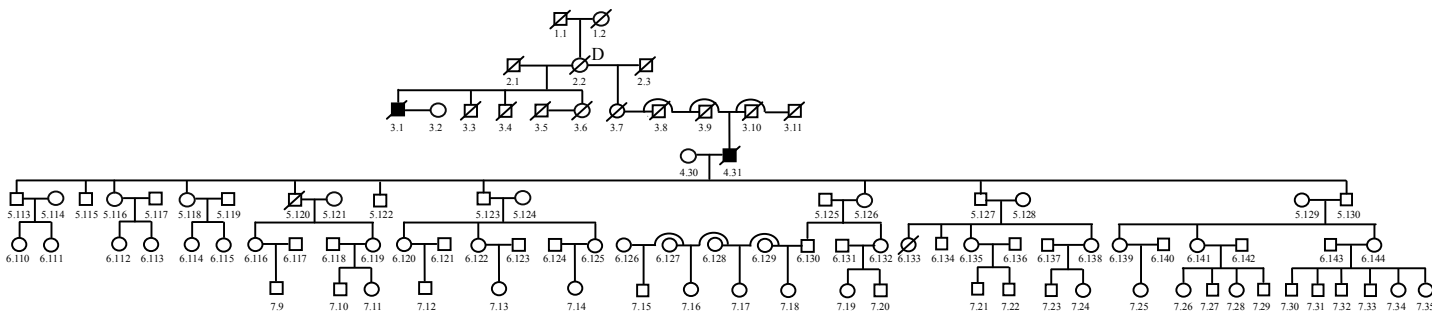
D5



D6

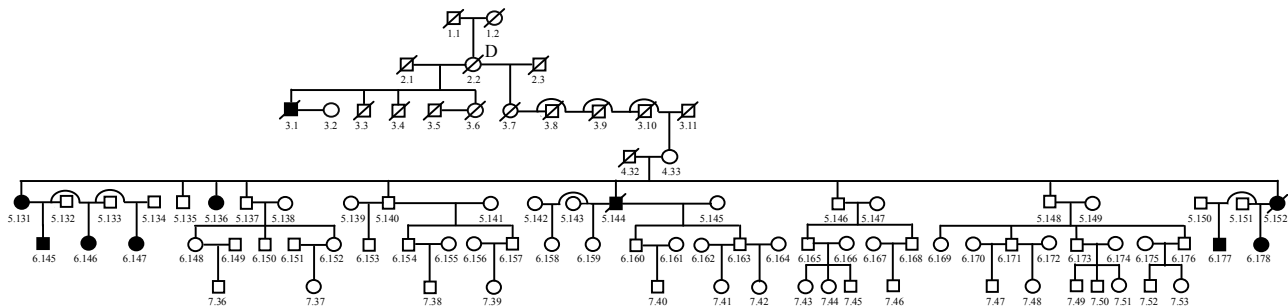


D7

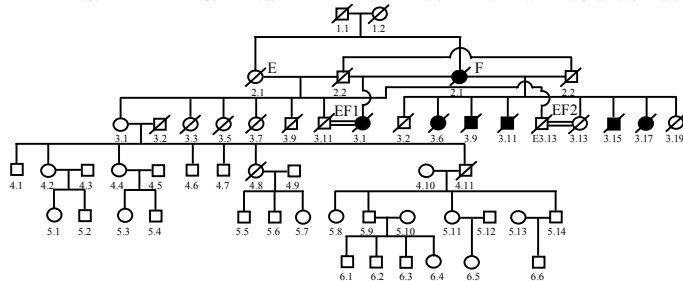


Branch

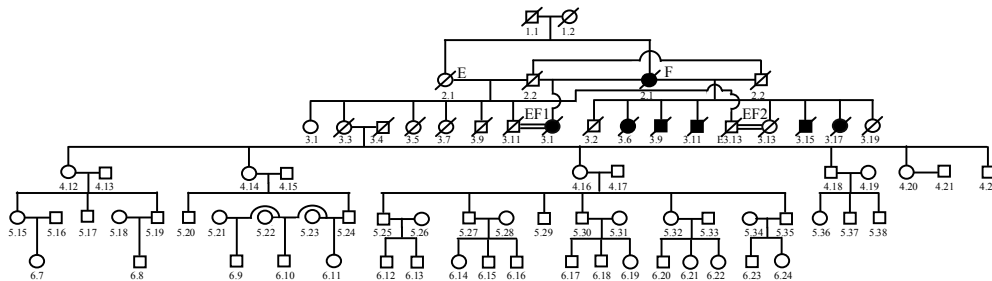
D8



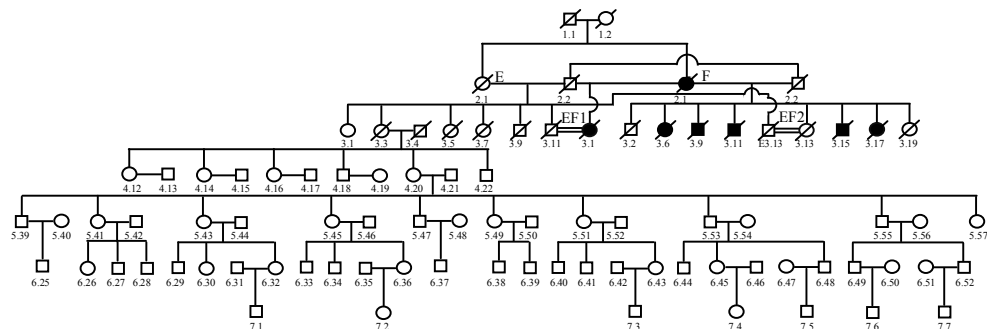
E1



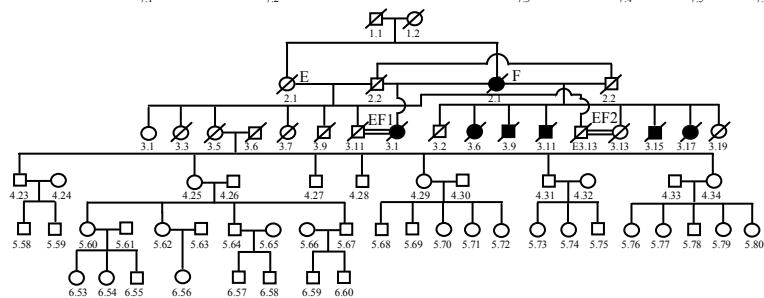
E2



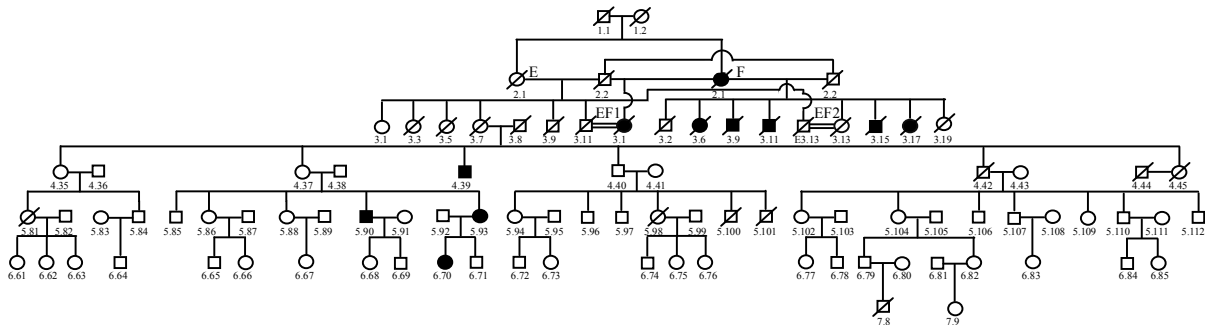
E3



E4

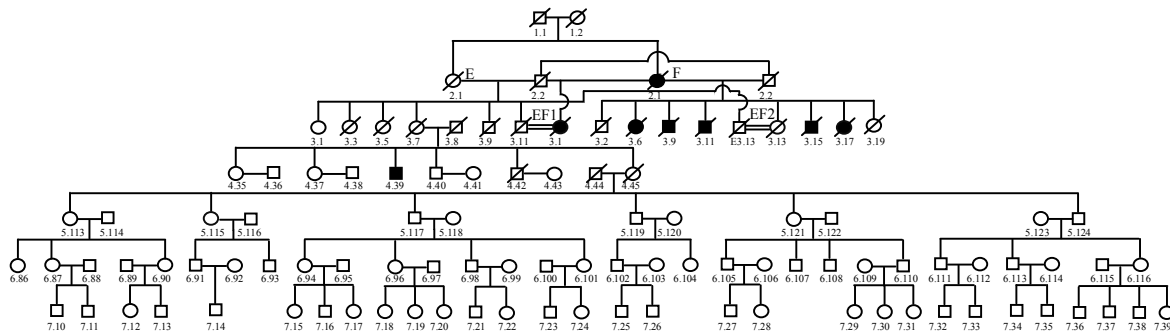


E5

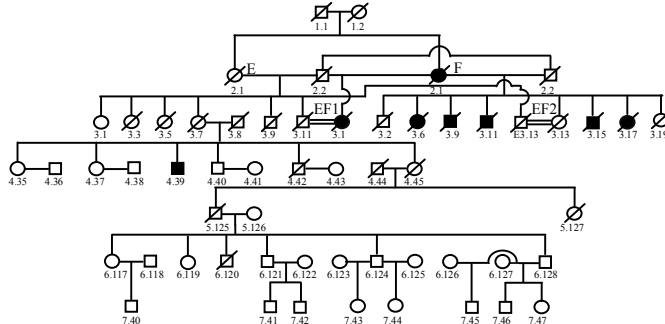


Branch

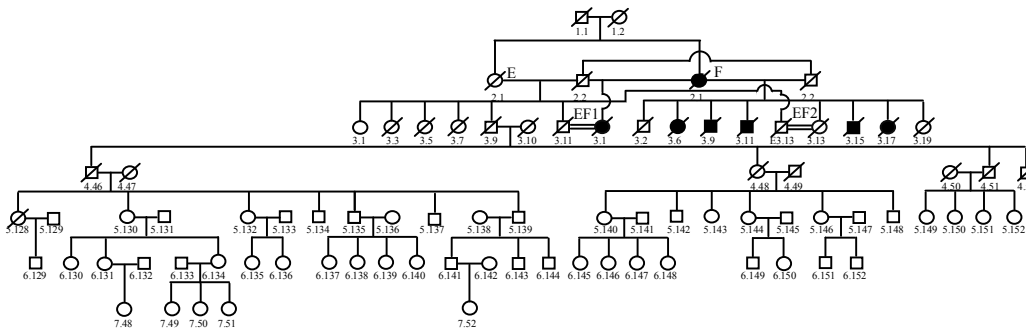
E6



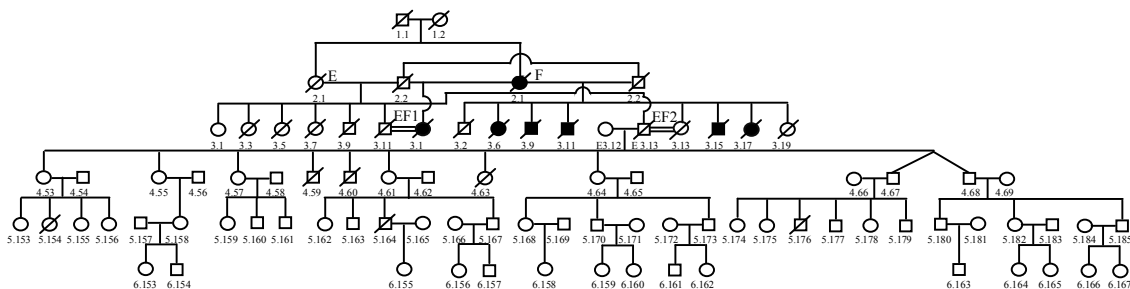
E7



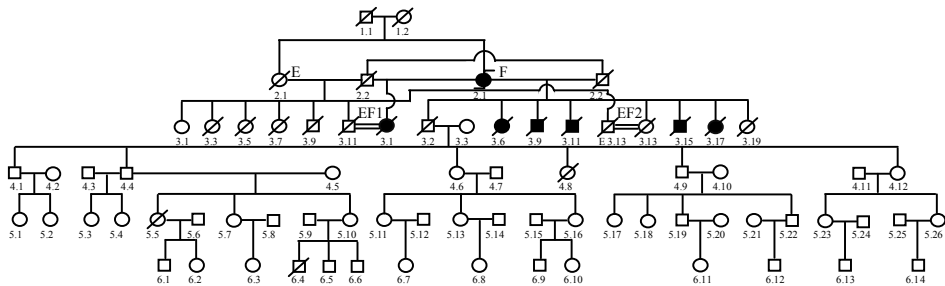
E8



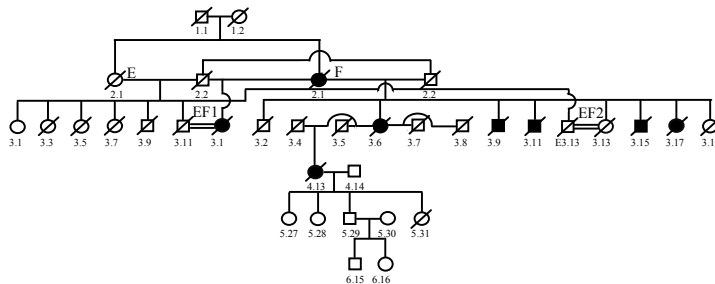
E9



F1

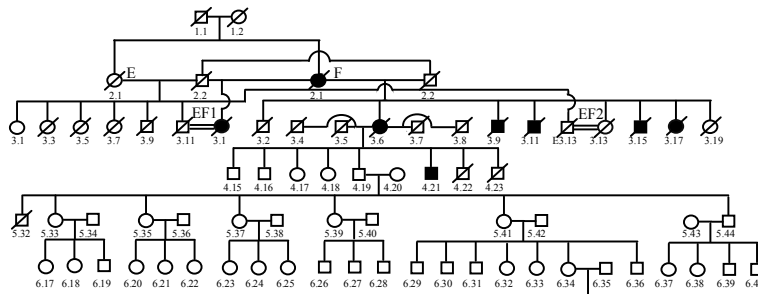


F2

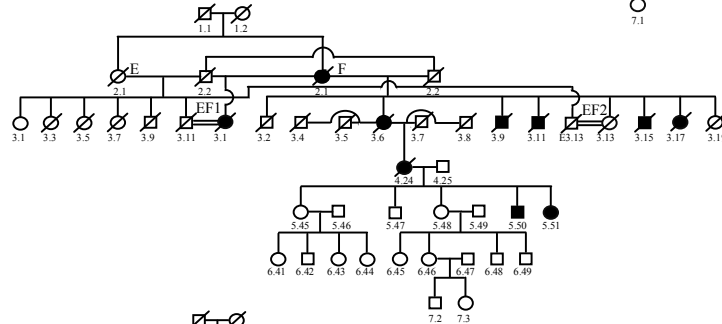


Branch

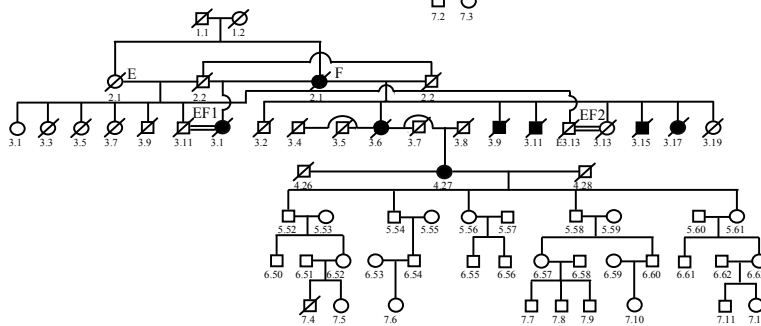
F3



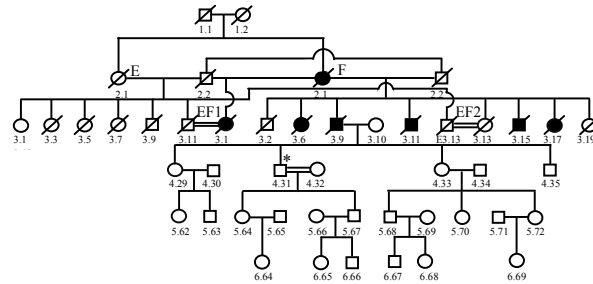
F4



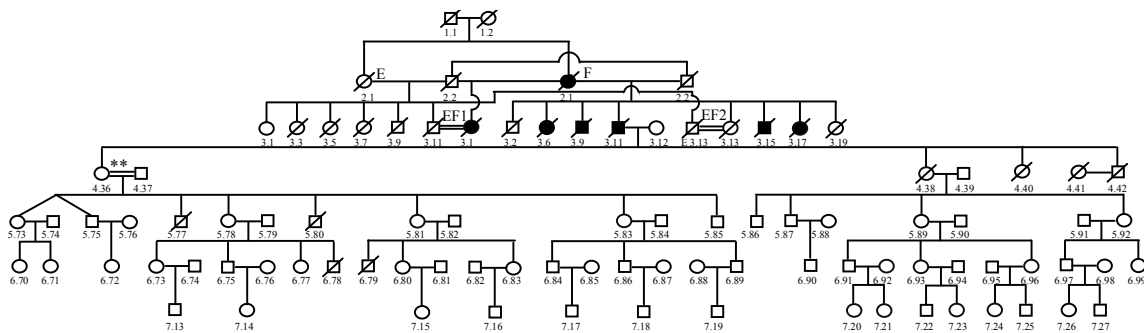
F5



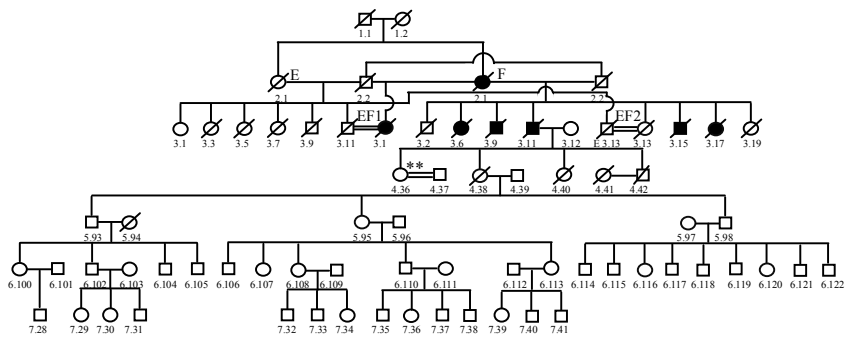
F6



F7



F8

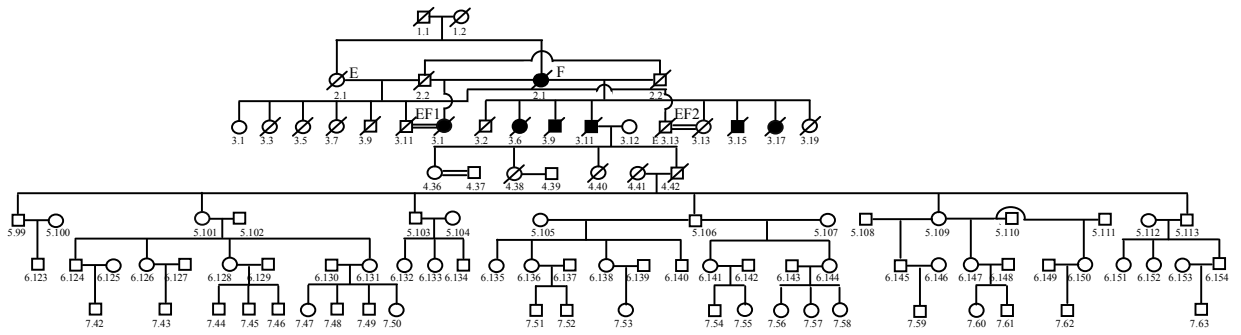


* F4.31 = F5.210, F4.32 = F5.211

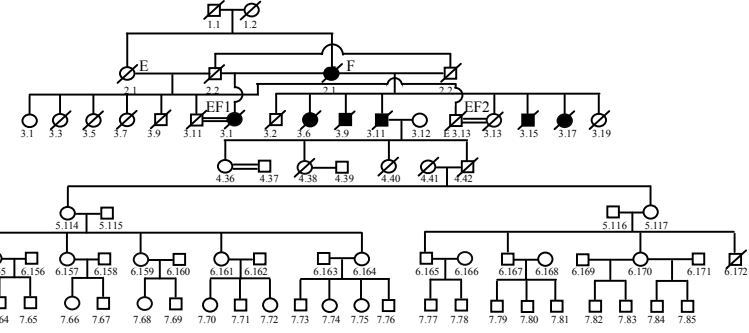
** F4.36 = F4.52, F4.37 = F4.51

Branch

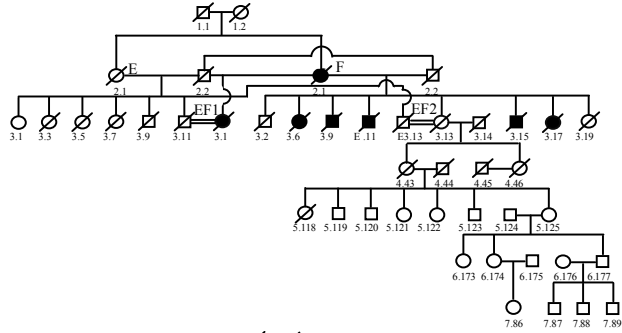
F9



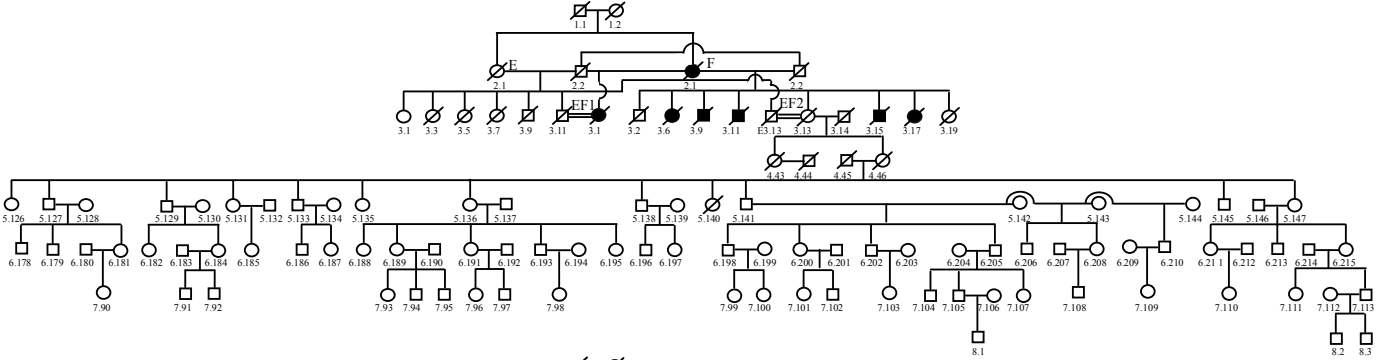
F10



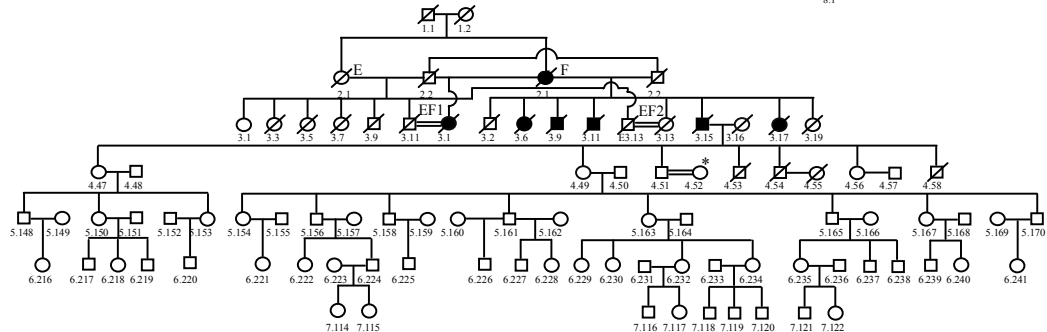
F11



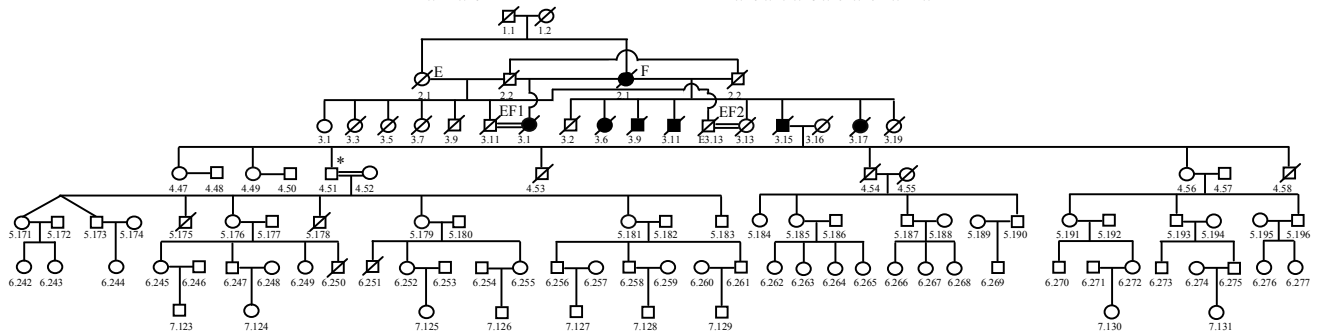
F12



F13

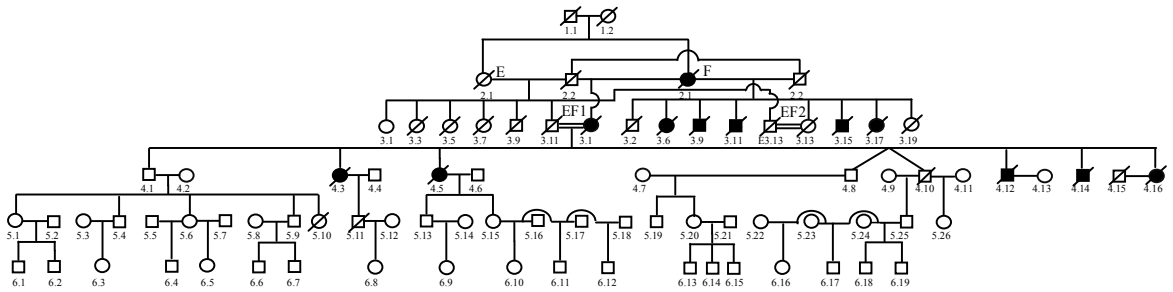


F14

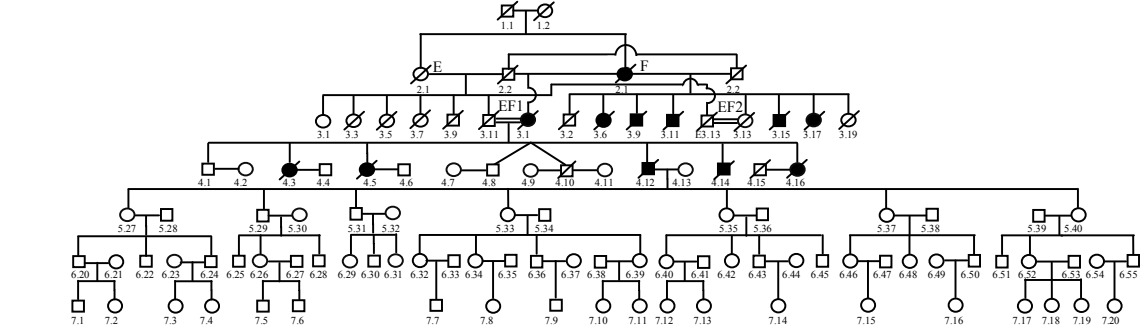


Branch

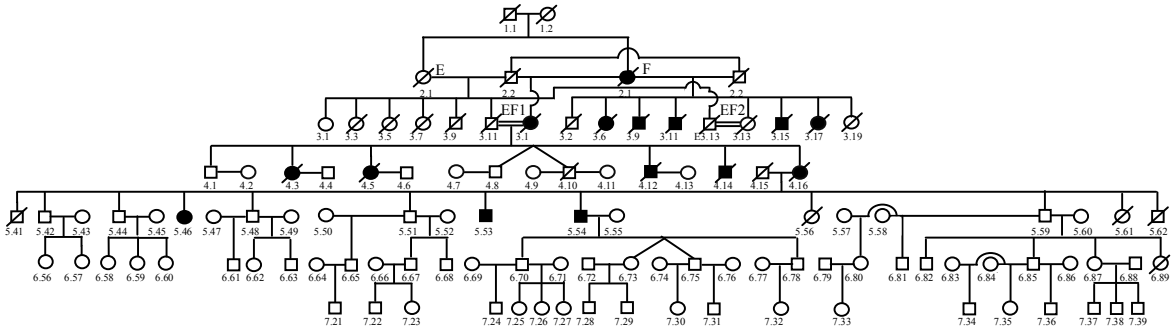
EF1.1



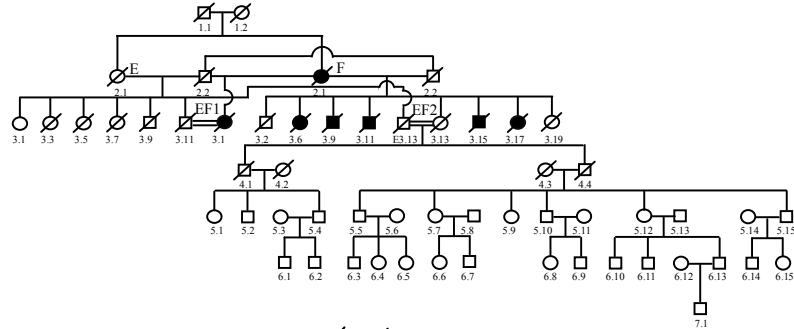
EF1.2



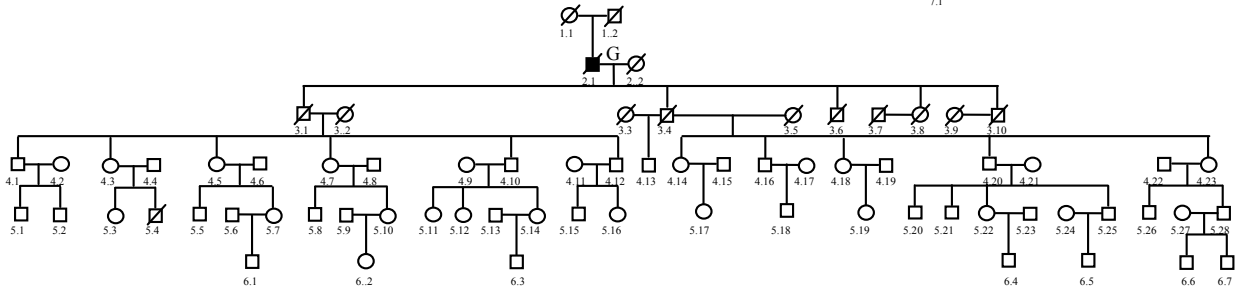
EF1.3



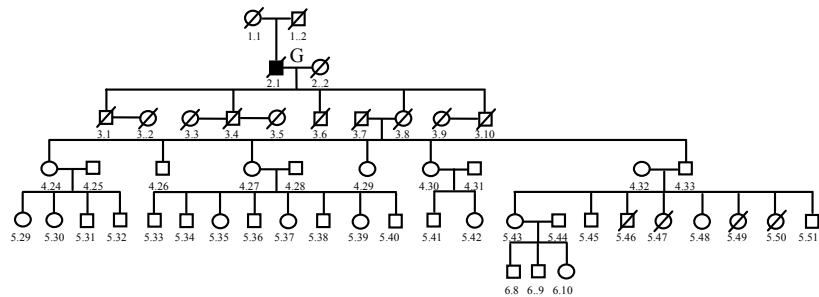
EF2



G1

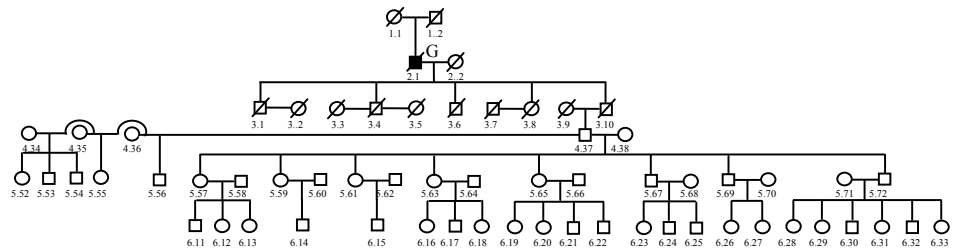


G2

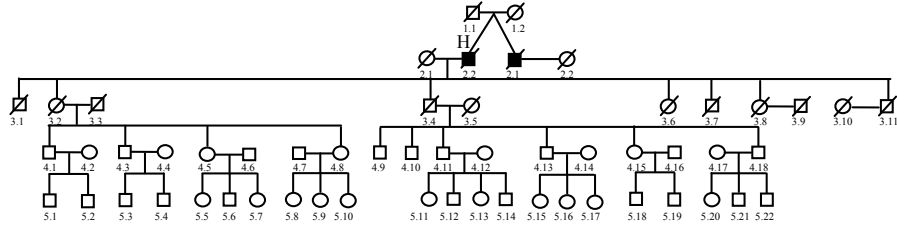


Branch

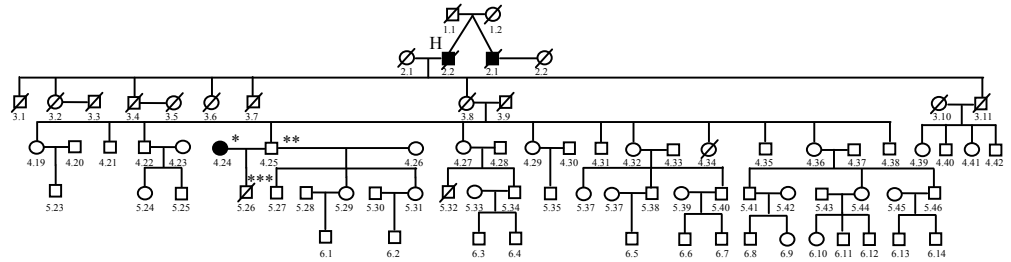
G3



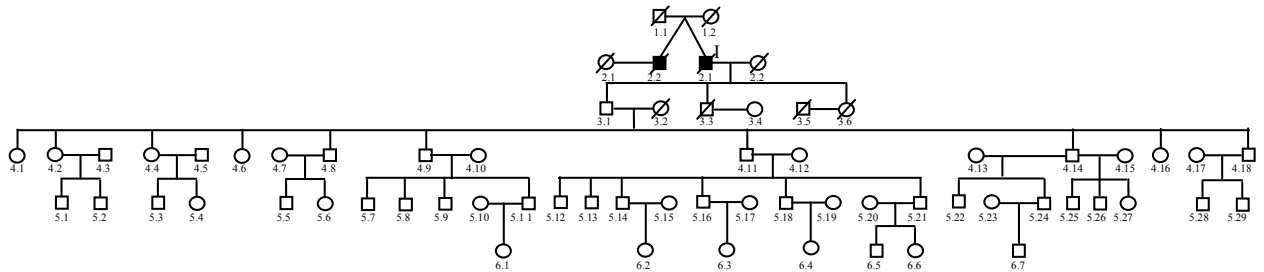
H1



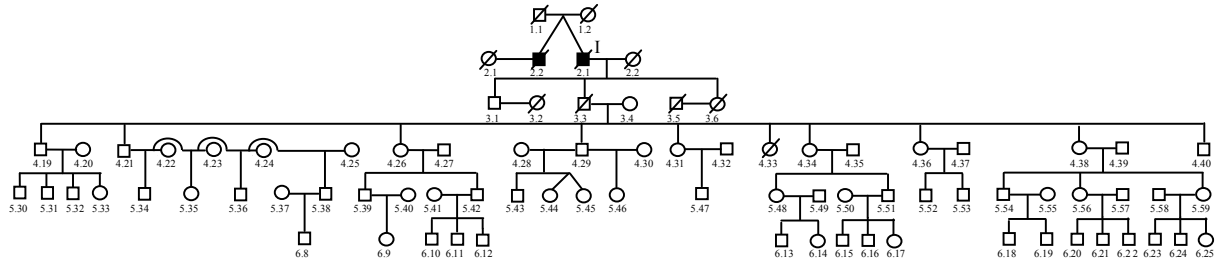
H2



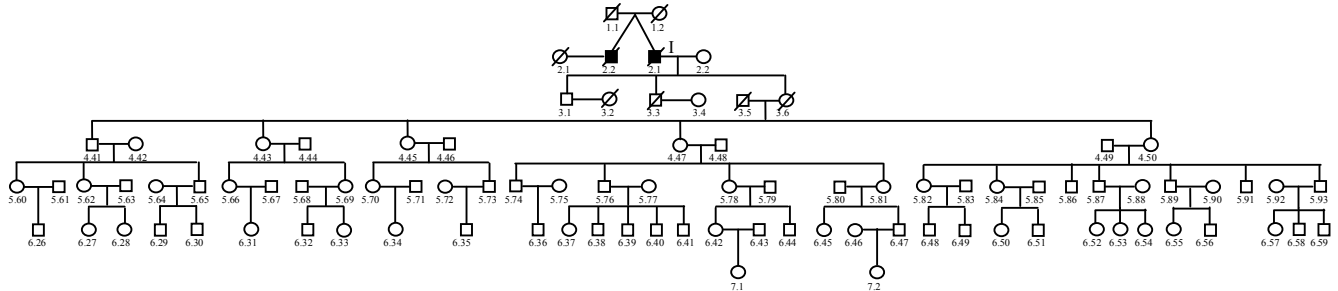
I1



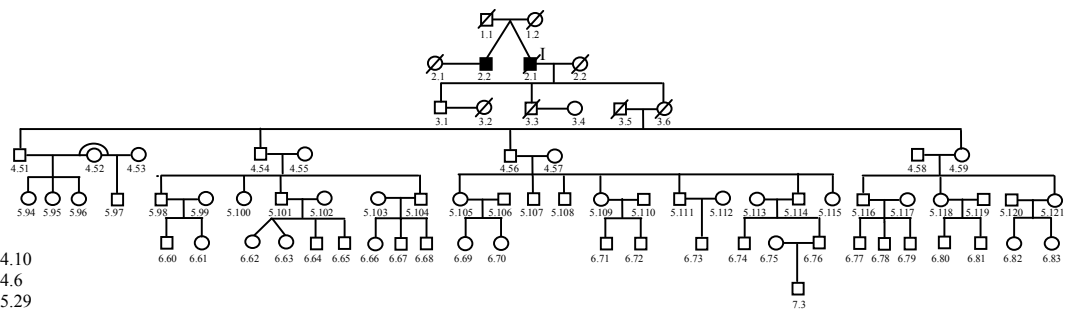
I2



I3



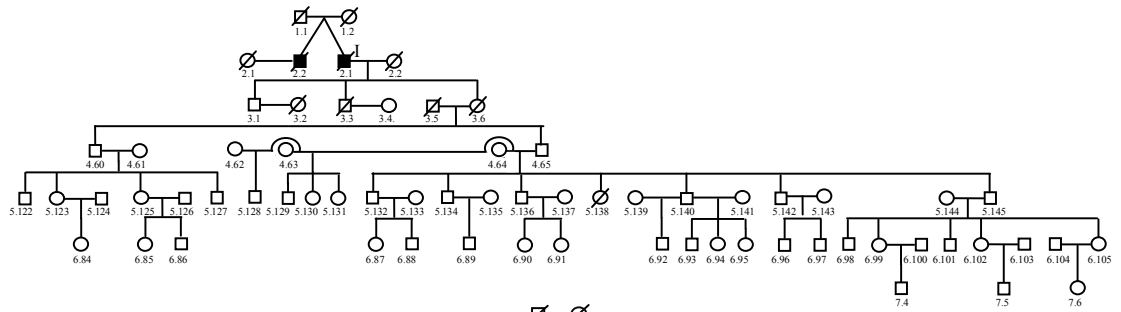
I4



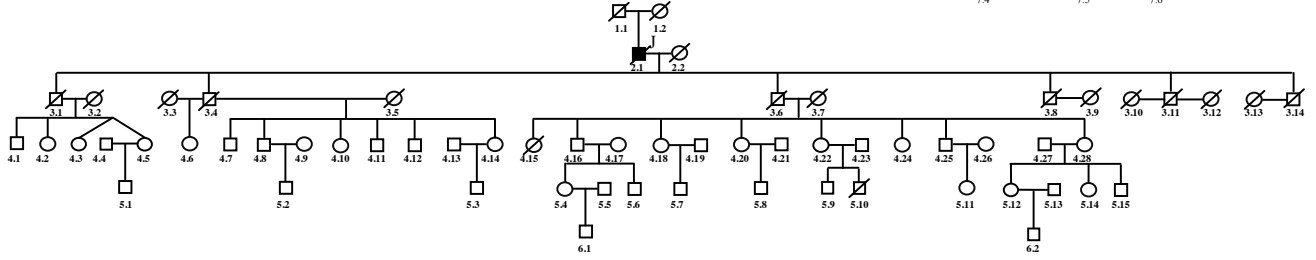
*H4.24 = C4.10
 **H4.25 = C4.6
 ***H5.26 = C5.29

Branch

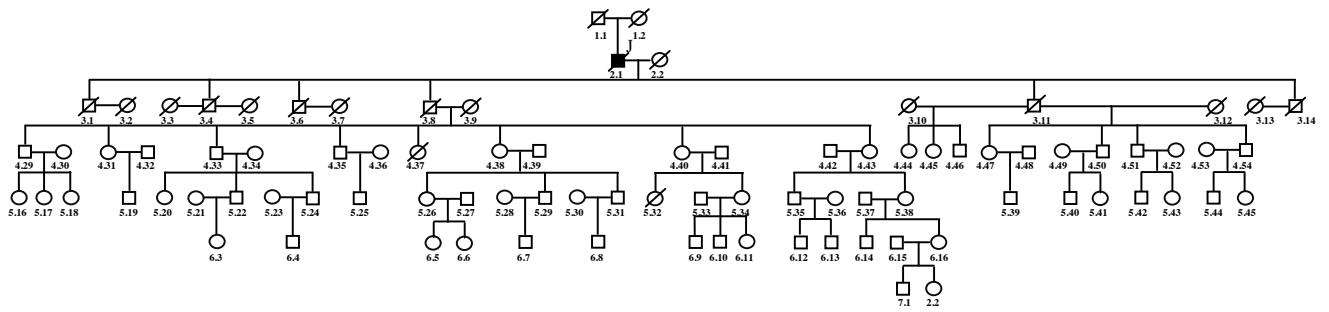
I5



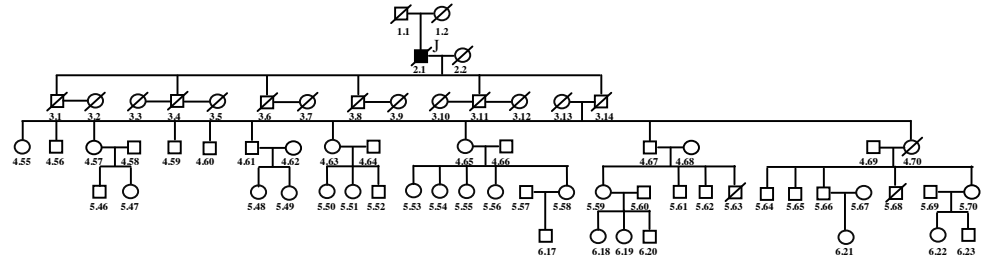
J1



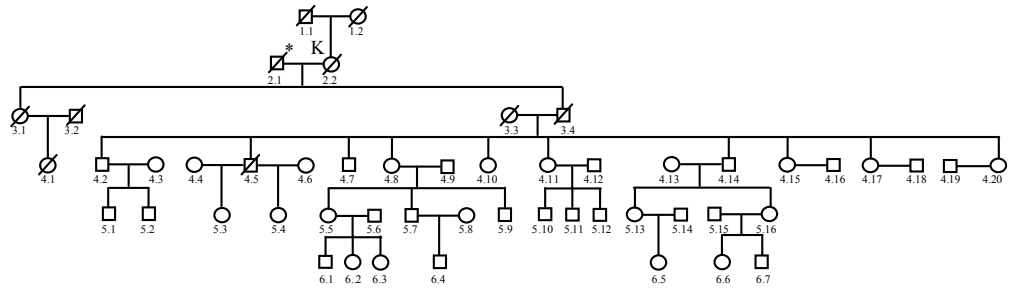
J2



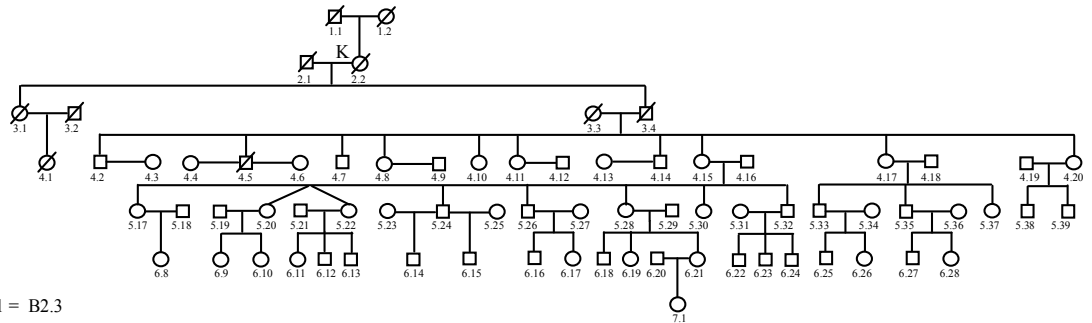
J3



K1



K2



*K2.1 = B2.3