

Supplementary information for

NFC-based Wearable Optoelectronics Working with Smartphone Application for Untact Healthcare

Min Hyung Kang ^{†,1}, Gil Ju Lee ^{†,1}, Joo Ho Yun ¹ and Young Min Song ^{*,1,2,3}

¹School of Electrical Engineering and Computer Science, Gwangju Institute of Science and Technology, 123 Cheomdangwagi-ro, Buk-gu, Gwangju 61005, Korea; kminh9409@gist.ac.kr (M.H.K.); gjlee0414@gist.ac.kr (G.J.L.); dvswnghrnt@gmail.com (J.H.Y.)

²Anti-Virus Research Center, Gwangju Institute of Science and Technology, 123 Cheomdangwagi-ro, Buk-gu, Gwangju 61005, Korea

³AI Graduate School, Gwangju Institute of Science and Technology, 123 Cheomdangwagi-ro, Buk-gu, Gwangju 61005, Korea

* Correspondence: ymsong@gist.ac.kr; Tel.: +82-62-715-2658

† These authors contributed equally to this work.

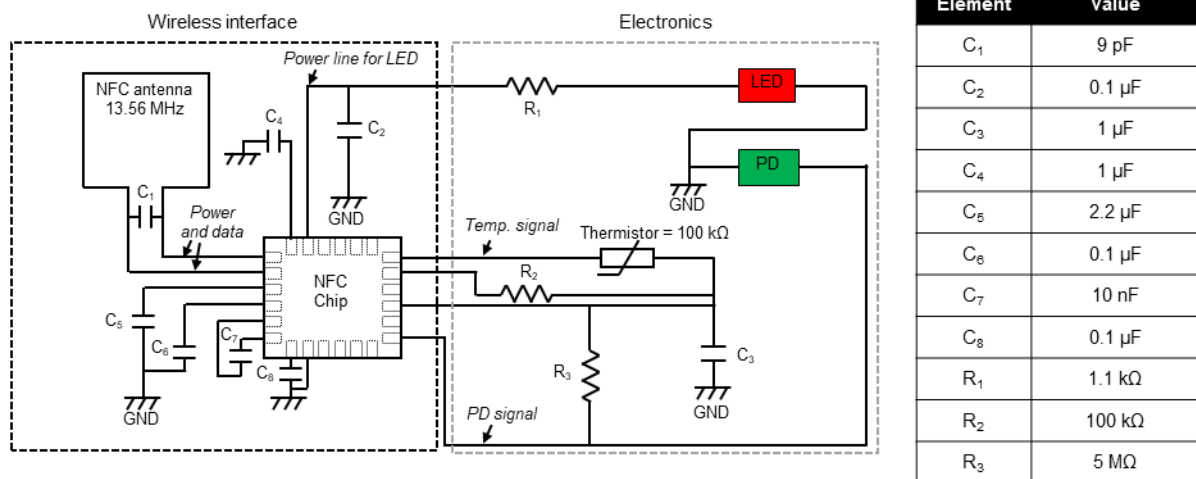


Figure S1. Circuit diagram of designed device. The dashed areas in NFC chip indicate the pin positions. The empty pin positions of NFC chip are electrically open states. The detailed information related to pin position is described in data sheet. The distance between LED and PD was set to 4 mm.