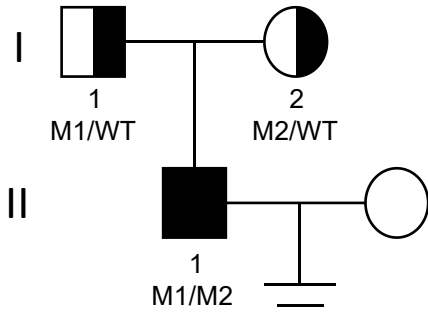
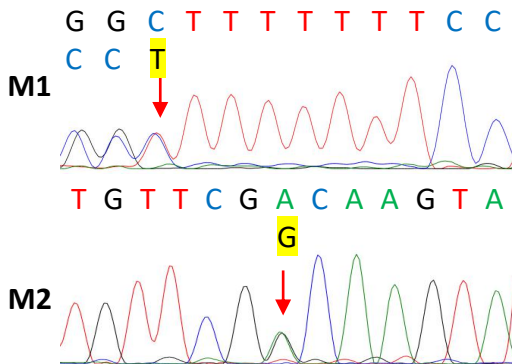
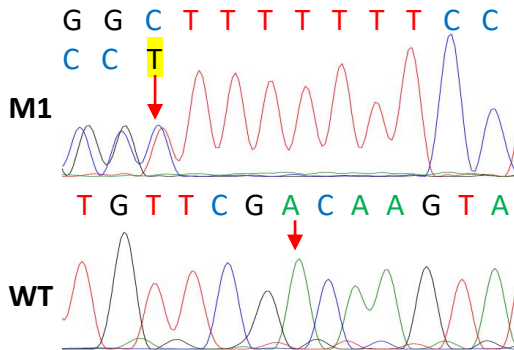
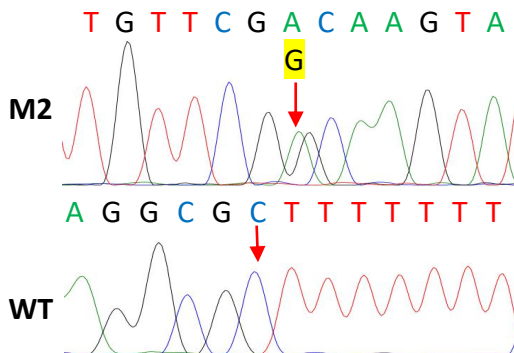
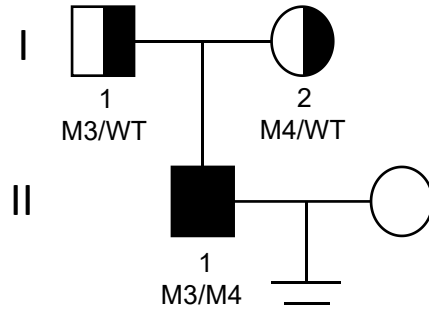
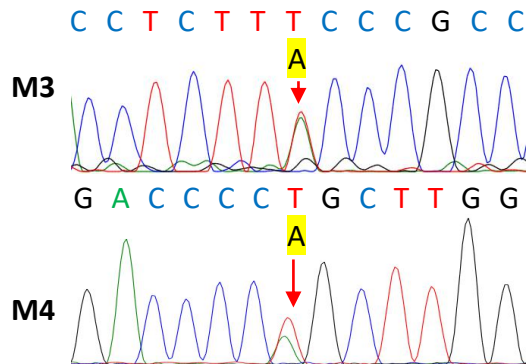
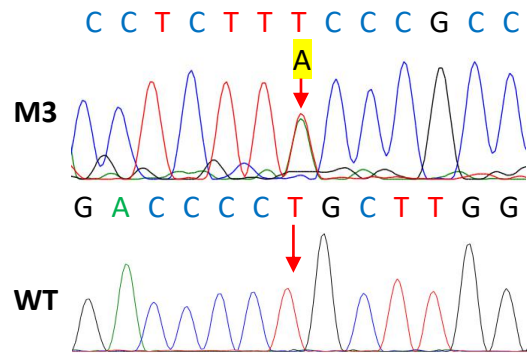


A**Family 1****M1=c.302dupT(p.L101fs*47)****M2=c.6956A>G(p.D2319G)****F1 II-1****F1 I-1****F1 I-2****B****Family 2****M3=c.6294T>A(p.F2098L)****M4=c.10571T>A(p.L3524Q)****F2 II-1****F2 I-1****F2 I-2**