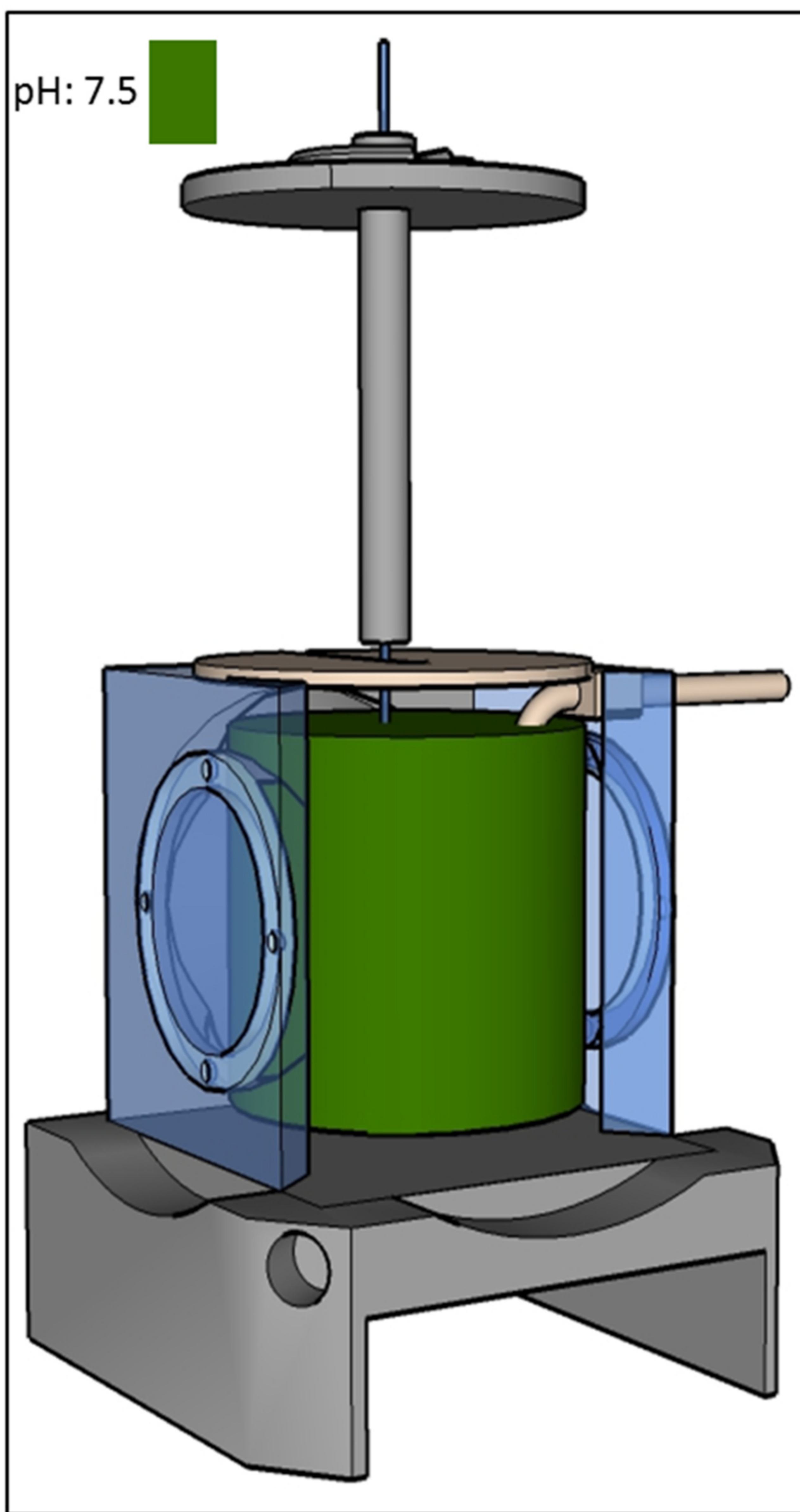
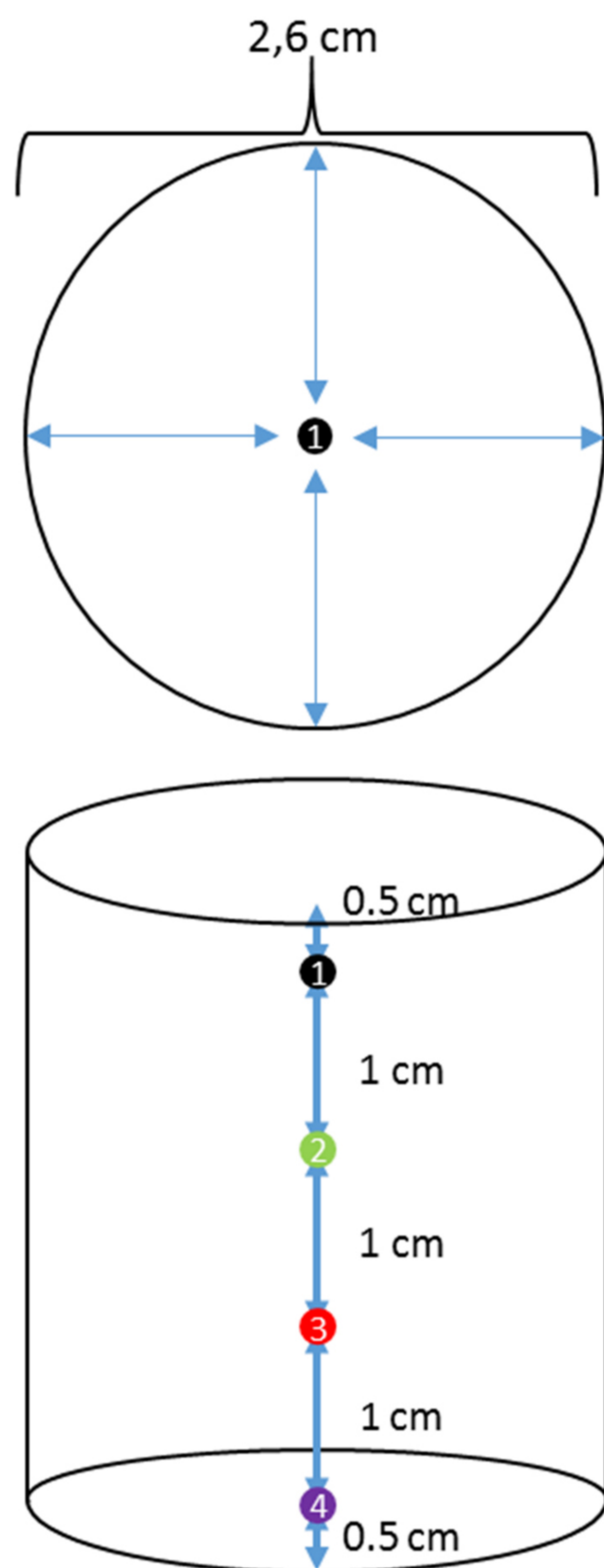


a

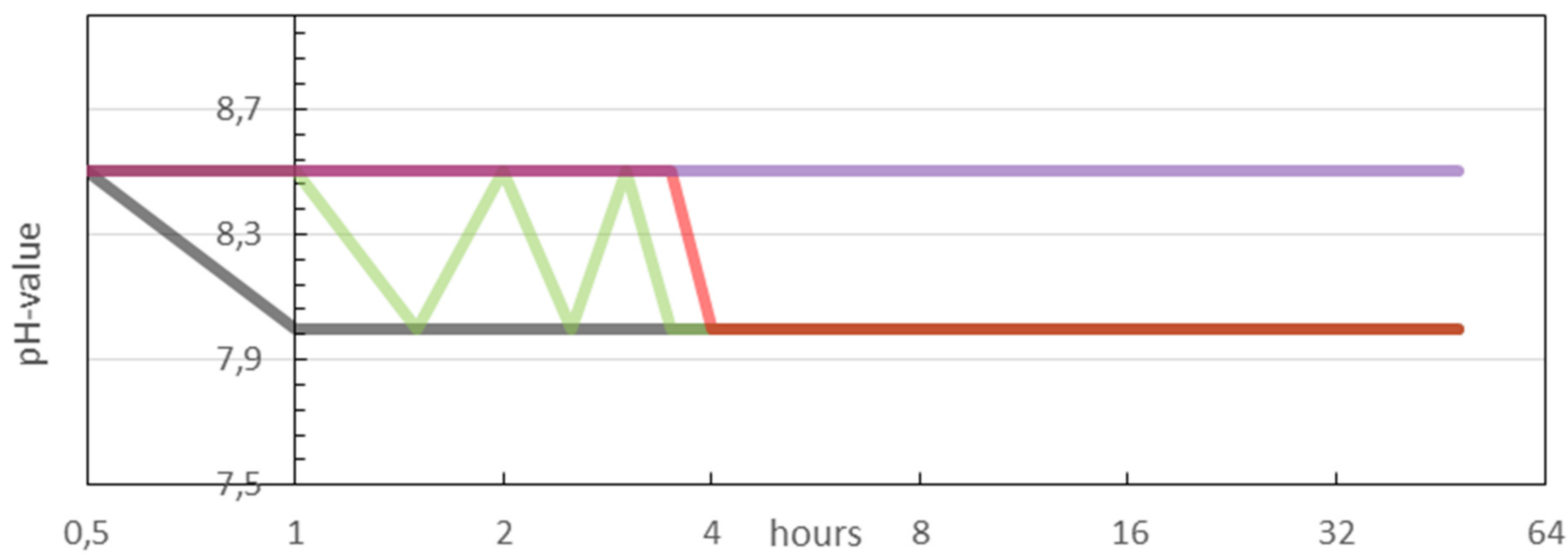


pH - landmarks



b

pH-value recovery potential over time



c

Average pH-value over time

