

# **A novel system for intensive *Diadema antillarum* propagation as a step towards population enhancement**

Aaron R. Pilnick<sup>1\*</sup>, Keri O'Neil<sup>2</sup>, Martin Moe, Joshua T. Patterson<sup>2,3</sup>

<sup>1</sup>Interdisciplinary Ecology, School of Natural Resources and Environment, University of Florida/IFAS 103 Black Hall, Gainesville, Gainesville, FL 32611, USA

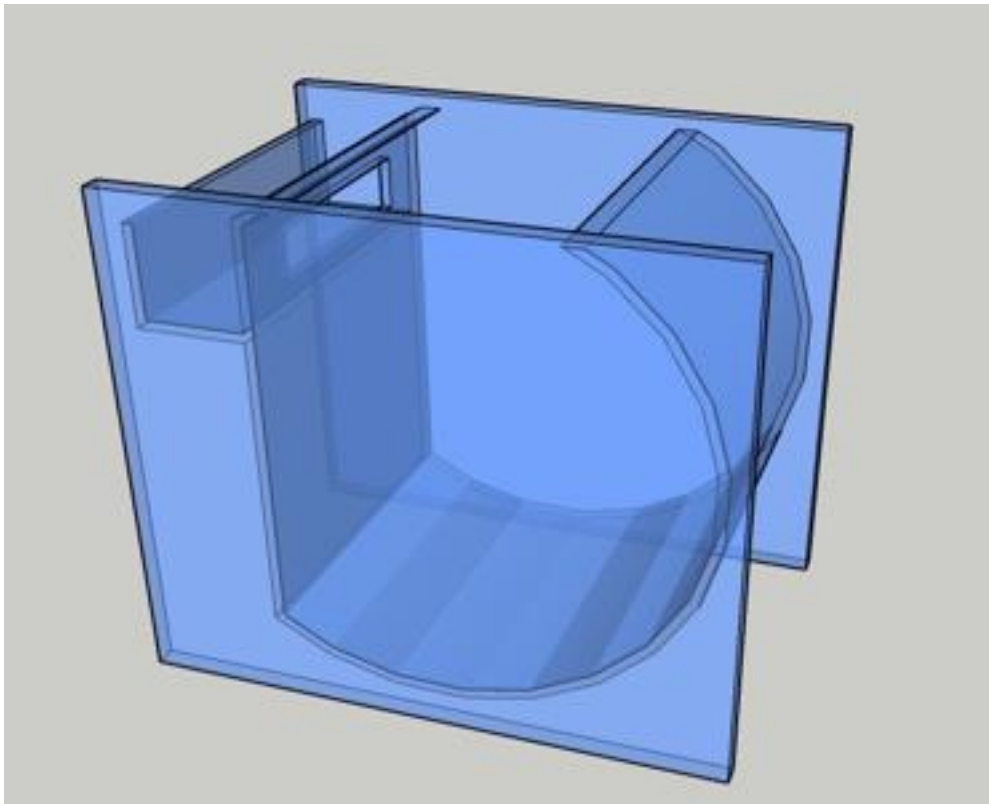
<sup>2</sup>Center for Conservation, The Florida Aquarium, 529 Estuary Shore Lane, Apollo Beach, FL 33572, USA

<sup>3</sup>Fisheries and Aquatic Sciences, School of Forest Resources and Conservation, University of Florida/IFAS 7922 NW 71<sup>st</sup> Street, Gainesville, FL 32603, USA

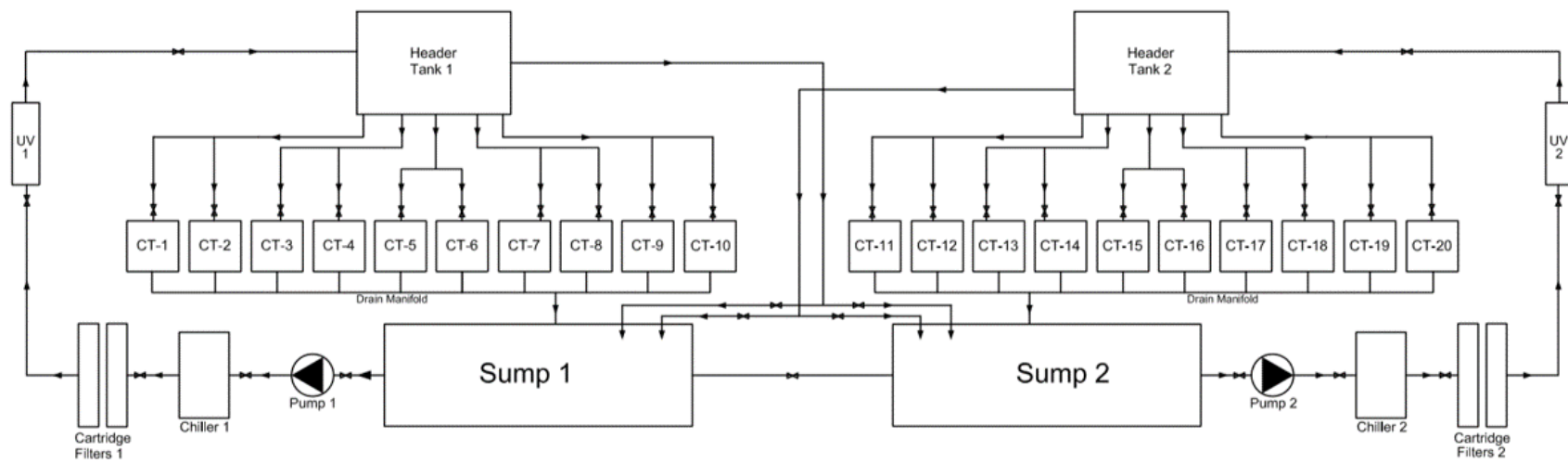
\*apilnick@ufl.edu

\*Communicating Author: Aaron Pilnick apilnick@ufl.edu

## **Electronic Supplementary Material**



1.a Sketchup design of the 40-L larviculture tank



1.b Schematic of the 1800-L larval culture system. Figure by Chris Nguyen.