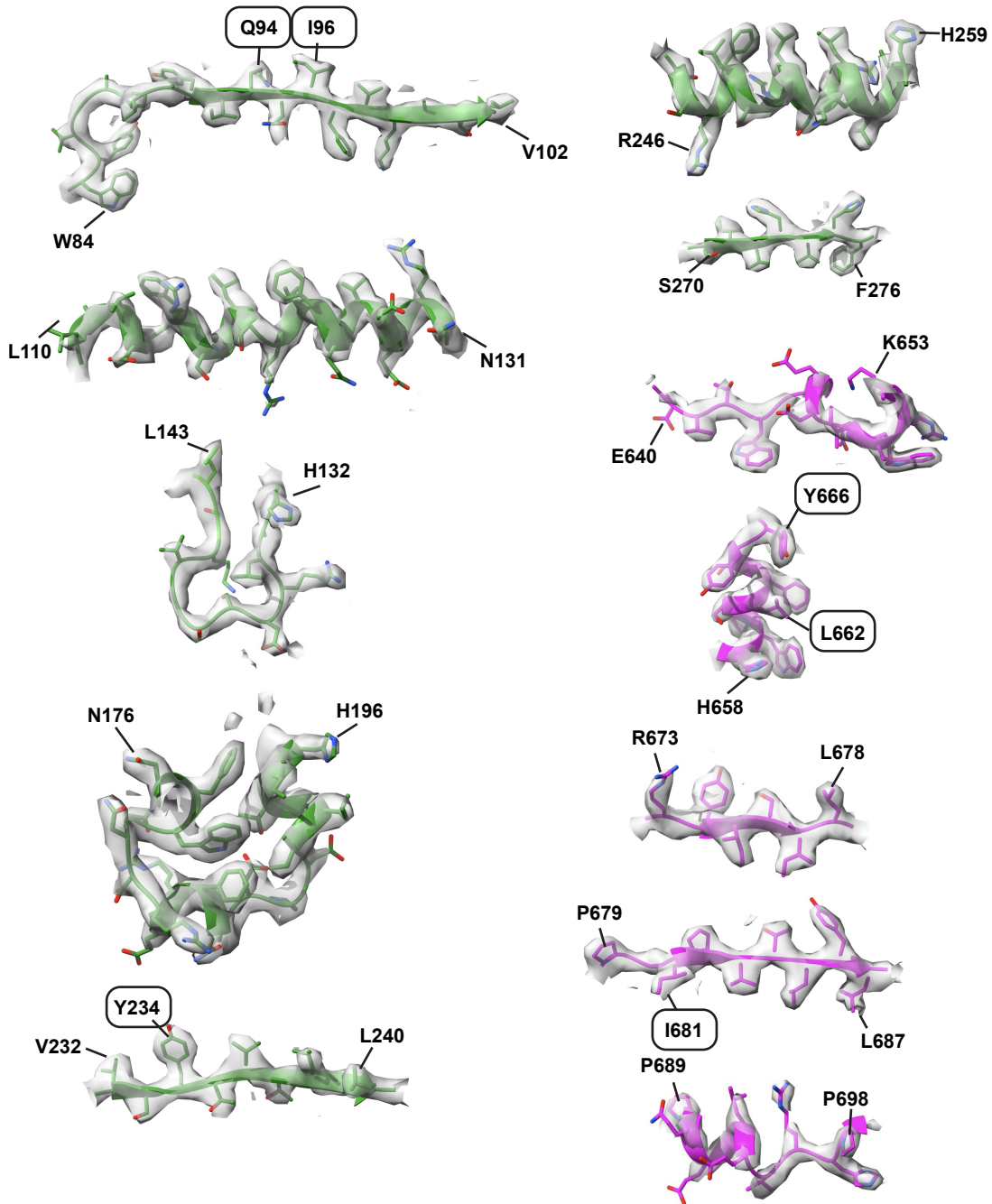
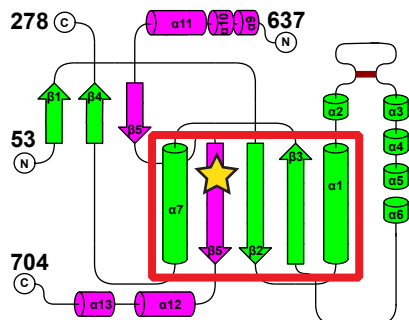


A

Loop 1 Loop 7 = residues interrogated by mutagenesis

**B** cScap L1-L7 Domain

NPC1 MLD

