

## Supporting Information

### Mitigating the effects of electrode biofouling-induced impedance for improved long-term electrochemical measurements *in vivo*

Blake T. Seaton<sup>a</sup>, Daniel F. Hill<sup>b</sup>, Stephen L. Cowen<sup>c,d</sup>, Michael L. Heien<sup>a,\*</sup>

<sup>a</sup> Department of Chemistry and Biochemistry, University of Arizona, Tucson, AZ, USA

<sup>b</sup> Department of Physiology, University of Arizona, Tucson, AZ, USA

<sup>c</sup> Department of Psychology, University of Arizona, Tucson, AZ, USA

<sup>d</sup> Evelyn F. McKnight Brain Institute, University of Arizona, Tucson, AZ, USA

\*To whom correspondence should be addressed:

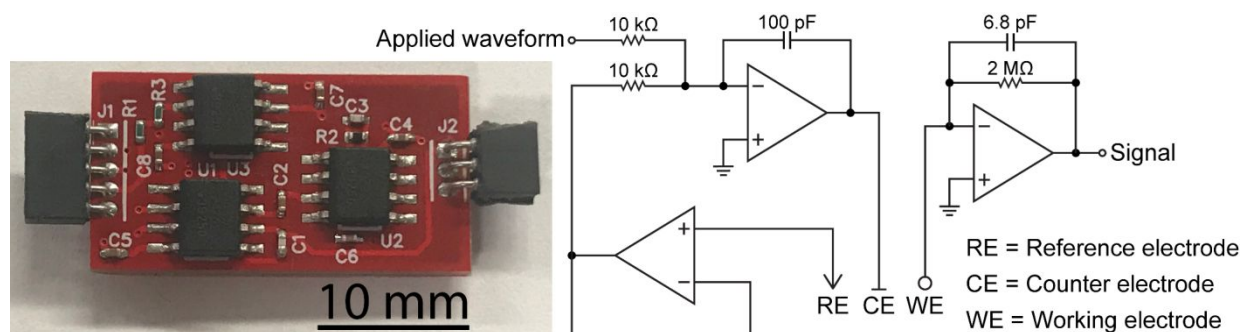
mheien@arizona.edu

Phone: 520-621-6293

Fax: 520-621-8407

#### Table of contents

Figure S1. Photo and circuit schematic of three-electrode headstage.....S-2



**Figure S1.** (Left) Photo and (right) circuit schematic of three-electrode headstage. AD711 operational amplifiers (Analog Devices, Norwood, MA) used throughout.