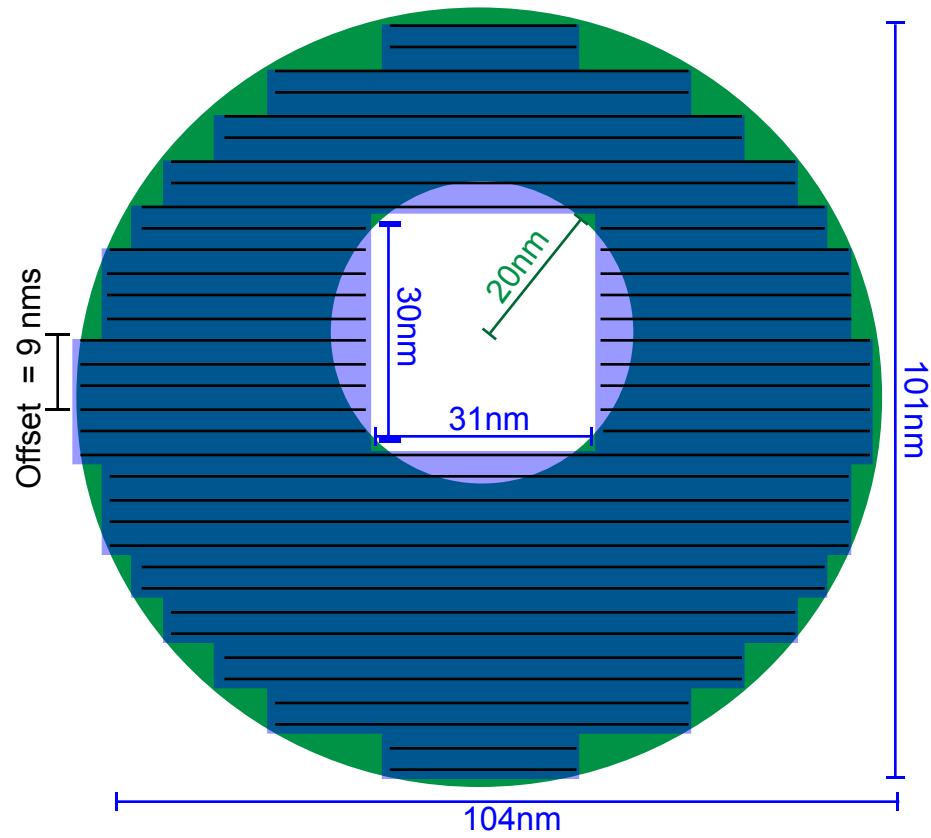
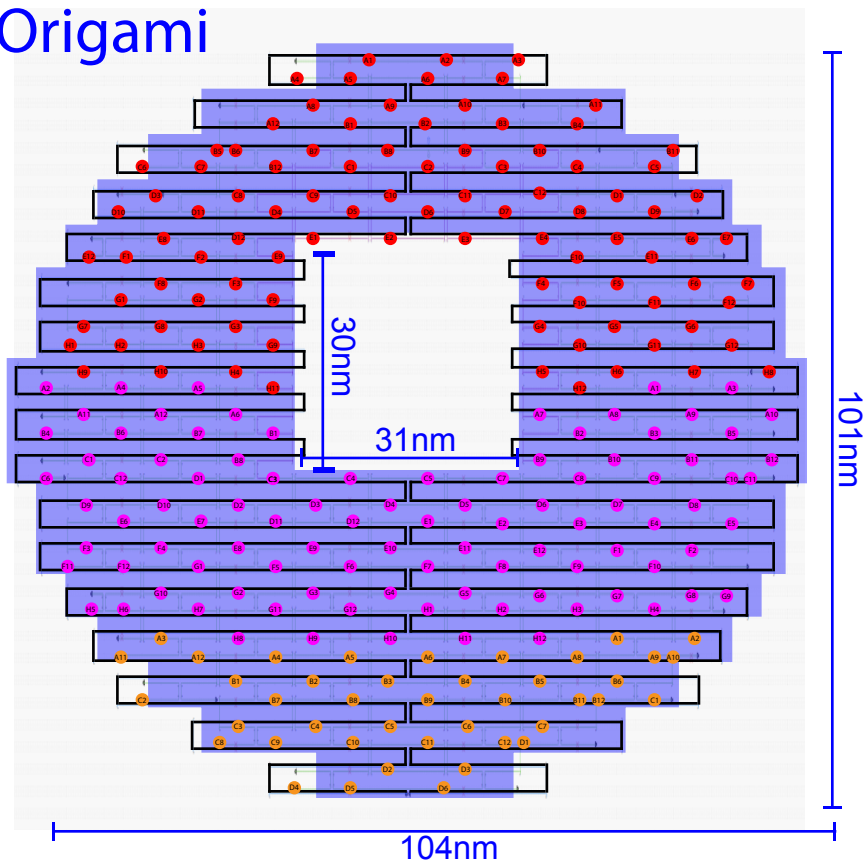


Origami and patch

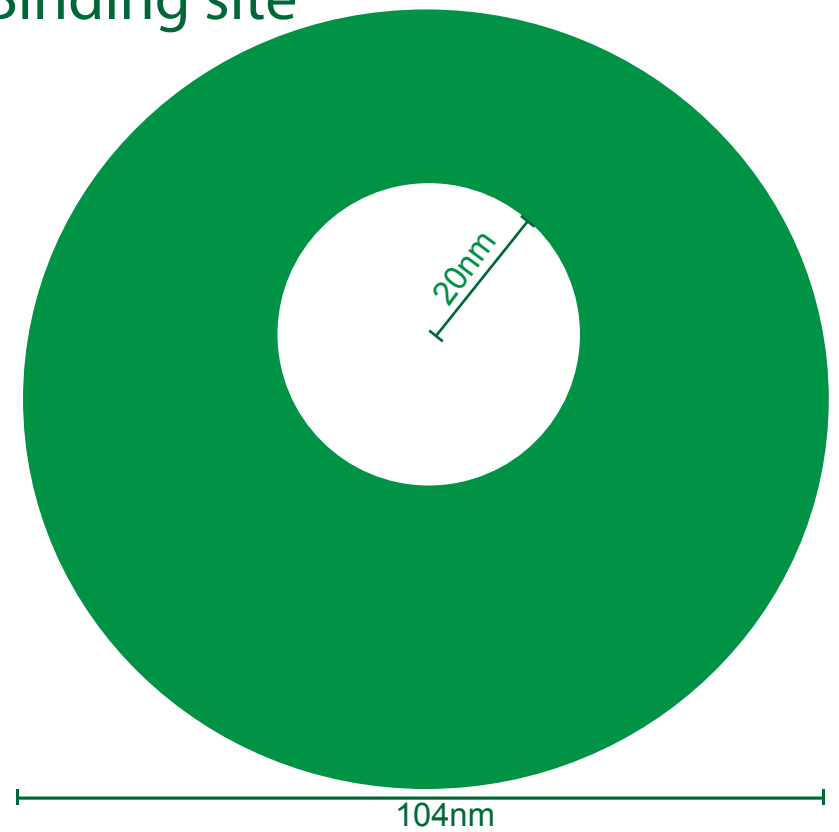


- Binding patch
- Origami
- DNA helices

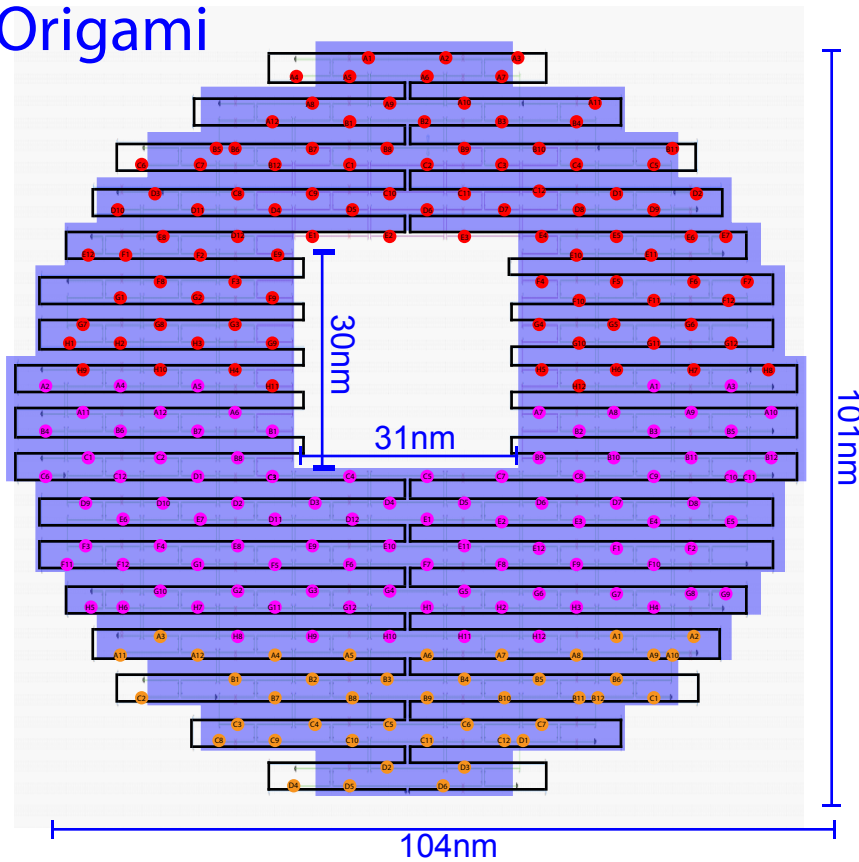
Origami



Binding site



Origami



Deathstar_Plate 1

	1	2	3	4	5	6	7	8	9	10	11	12
A	●	●	●	●	●	●	●	●	●	●	●	●
B	●	●	●	●	●	●	●	●	●	●	●	●
C	●	●	●	●	●	●	●	●	●	●	●	●
D	●	●	●	●	●	●	●	●	●	●	●	●
E	●	●	●	●	●	●	●	●	●	●	●	●
F	●	●	●	●	●	●	●	●	●	●	●	●
G	●	●	●	●	●	●	●	●	●	●	●	●
H	●	●	●	●	●	●	●	●	●	●	●	●

Deathstar_Plate 2

	1	2	3	4	5	6	7	8	9	10	11	12
A	●	●	●	●	●	●	●	●	●	●	●	●
B	●	●	●	●	●	●	●	●	●	●	●	●
C	●	●	●	●	●	●	●	●	●	●	●	●
D	●	●	●	●	●	●	●	●	●	●	●	●
E	●	●	●	●	●	●	●	●	●	●	●	●
F	●	●	●	●	●	●	●	●	●	●	●	●
G	●	●	●	●	●	●	●	●	●	●	●	●
H	●	●	●	●	●	●	●	●	●	●	●	●

Deathstar_Plate 3

	1	2	3	4	5	6	7	8	9	10	11	12
A	●	●	●	●	●	●	●	●	●	●	●	●
B	●	●	●	●	●	●	●	●	●	●	●	●
C	●	●	●	●	●	●	●	●	●	●	●	●
D	●	●	●	●	●	●	○	○	○	○	○	○
E	○	○	○	○	○	○	○	○	○	○	○	○
F	○	○	○	○	○	○	○	○	○	○	○	○
G	○	○	○	○	○	○	○	○	○	○	○	○
H	○	○	○	○	○	○	○	○	○	○	○	○

All the different deathstar plates, i.e one with 20T or the one with (AG)10 extension have the same map. Except that in those cases they will have the described extension on their 5' end. If in the future we end up having 3' extension then I will ensure that it is specified as such.

Also note that I have the plates might be called 'CircleWithSquareHole' or 'SmallMoon'. This is purely due to the fact that we (me and Paul) have not settled on the exact name of this kind of origami.

