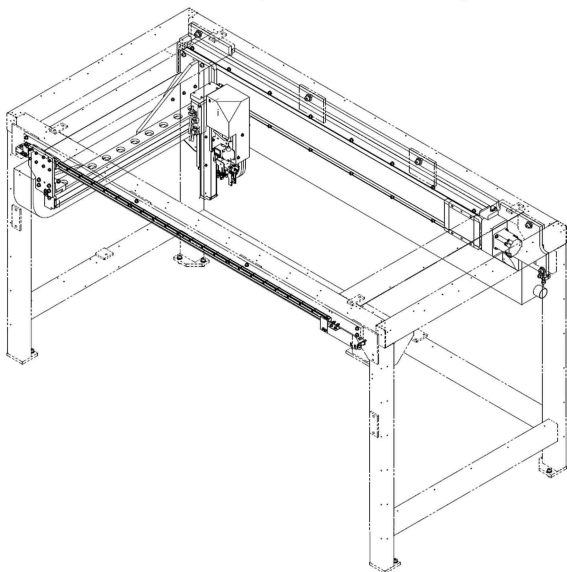


Supplementary Figure 1

(A)

New version: x-y-z-axes-rail-system



(B)

Old version: 6-axes articulated-robotic arm

